

SPECIFICATION SHEET

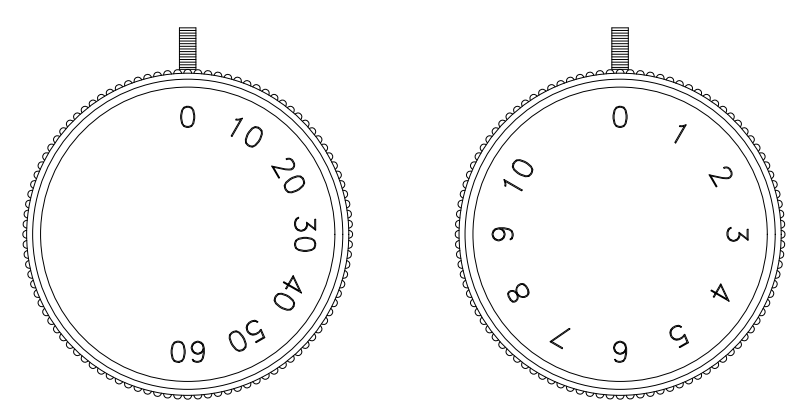
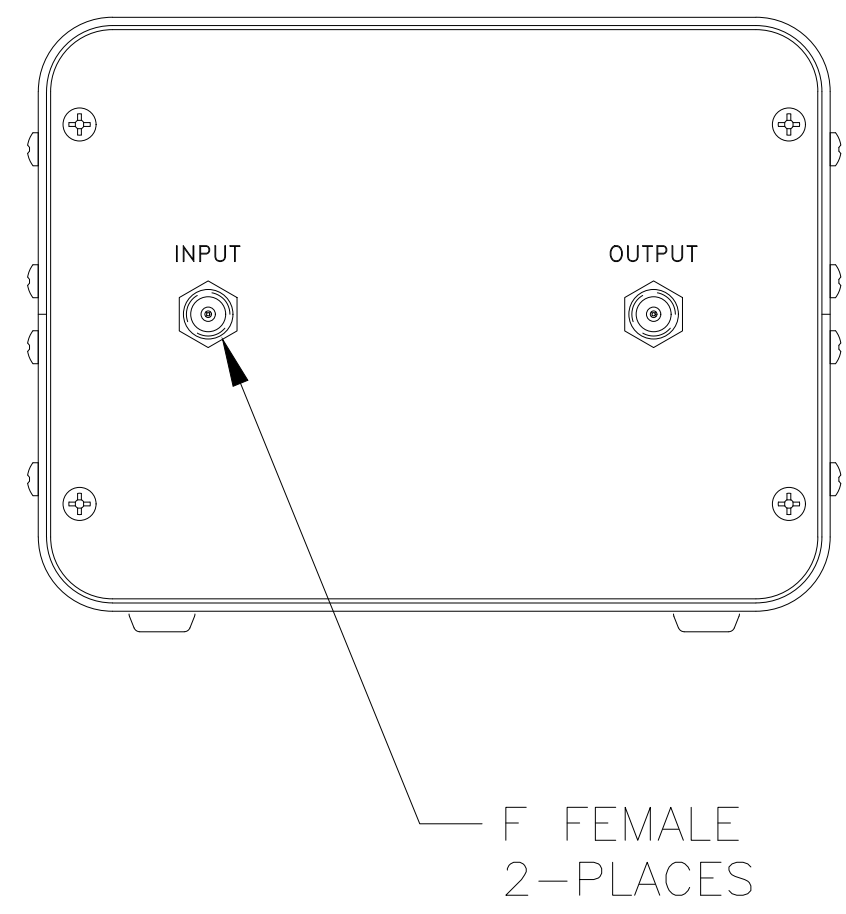
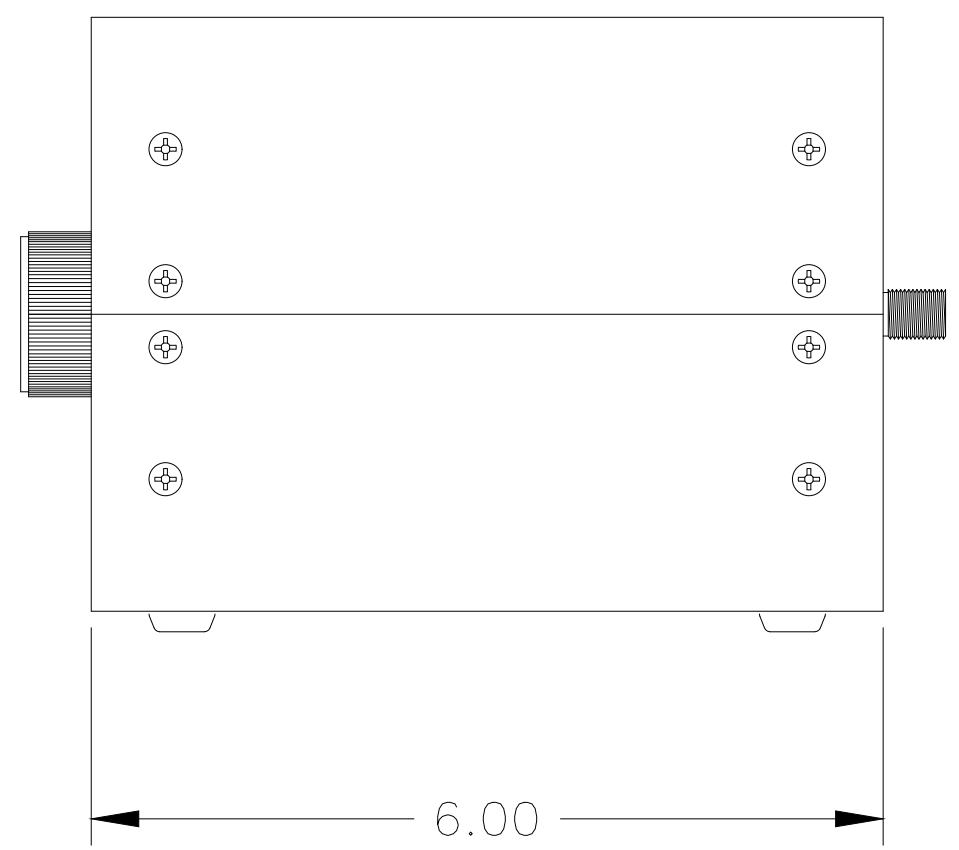
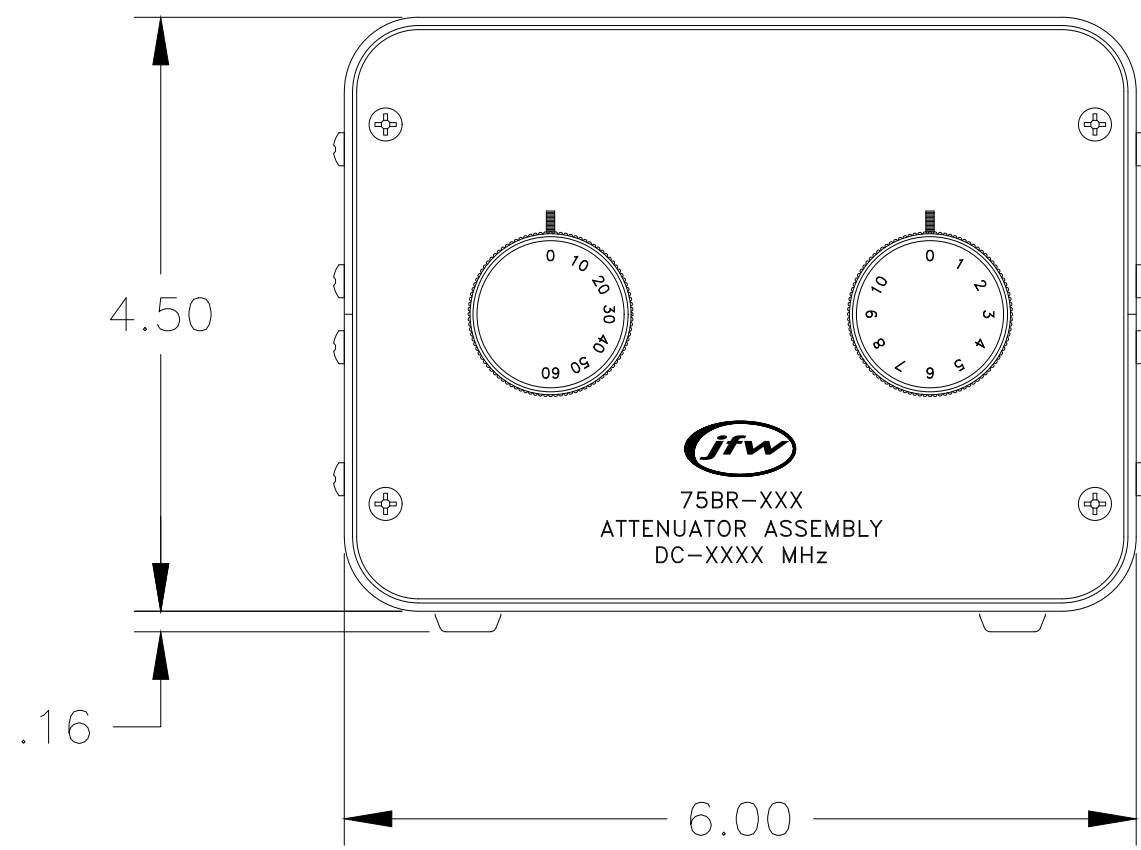
JFW MODEL 75BR-023

BENCH TOP ROTARY ATTENUATOR

JFW Industries, Inc.
Phone: 317-887-1340
sales@jfwindustries.com
www.jfwindustries.com

Frequency Range	DC-2150 MHz
Impedance	75 Ohms nominal
Attenuation Range	0-70 dB in 1 dB steps
VSWR	1.5:1 maximum DC-500 MHz 2.0:1 maximum 500-2150 MHz
Attenuation Accuracy	± 0.5 dB (1 dB steps) ± 0.7 dB or 3% (10 dB steps)
Insertion Loss	1.5 dB maximum
RF Input Power	1 Watt average 1000 Watts Peak
Direction of Rotation	Attenuation increases in a Counter-Clockwise direction
Indexing	30 degrees with stops at Minimum and maximum
RF Connector	BNC, F, or N female
Operating Temperature Range	-20°C to +85°C
Lifetime	500,000 attenuation steps (each knob)
Physical Size	See outline drawing 092-4335

ECR/ECN #	DATE	REV	APPR / DATE	ECR/ECN #	DATE	REV	APPR / DATE
14307	06/25/2007	C	TRS 06/25/2007	23479	11/26/2013	F	TRS 11/27/2013
19210	10/07/2010	D	TRS 10/07/2010	28157	10/05/2017	G	TRS 10/05/2017
20038	04/29/2011	E	TRS 04/29/2011	31753	04/28/2022	H	TRS 04/28/2022



KNOB DETAIL

				JFW INDUSTRIES, INC. INDIANAPOLIS, IN		PROPRIETARY INFORMATION	
						ALL SURFACES ARE TO BE FREE OF BURRS, PITS, & SCRATCHES	
REV	ECN	DATE	BY	DRAWN BY	T. ZEISS	DATE	11-13-03
A	7774	3-11-04	TEZ	APP'D BY		SCALE	1/2
				MATERIAL	ALUMINUM ALLOY		
				FINISH	BLACK PAINT/FRONT & REAR: LIGHT GRAY PAINT		
				DESCRIPTION	75BR-XXX BENCHTOP ROTARY ATTENUATOR		
						DWG NO.	092-4335

TOLERANCES
FRACTIONAL DIM. ± 1/64
2 PLACE DECIMAL ± .010
3 PLACE DECIMAL ± .005
ANGULAR DIM. ± 1/2°