

SPECIFICATION SHEET

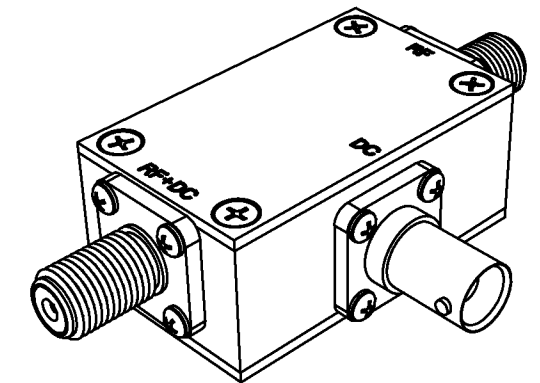
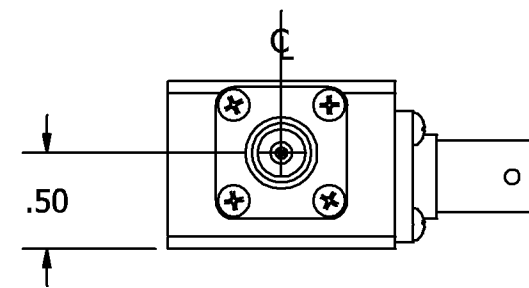
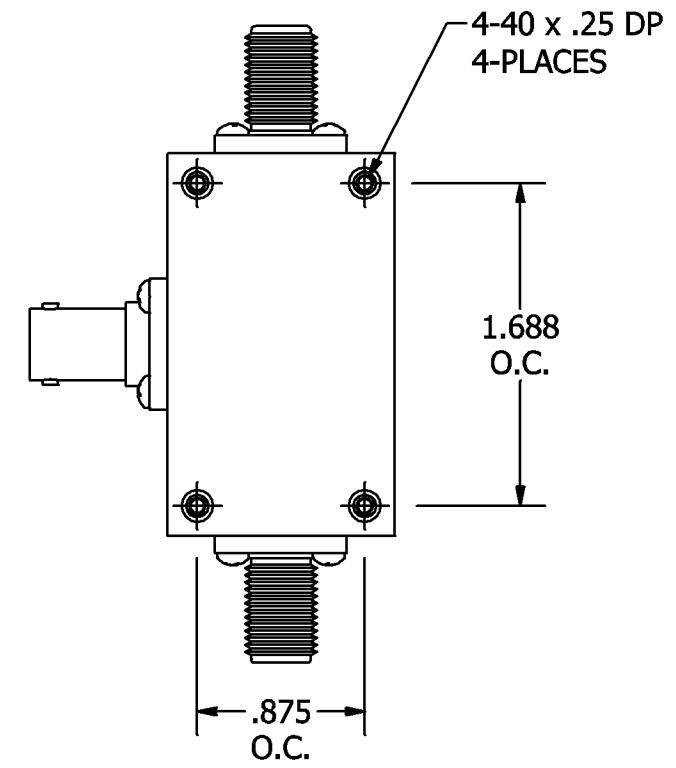
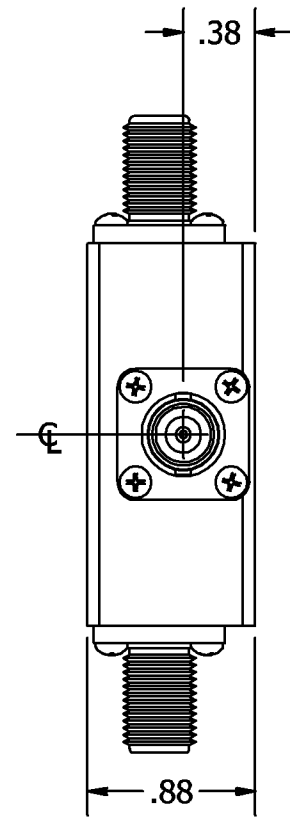
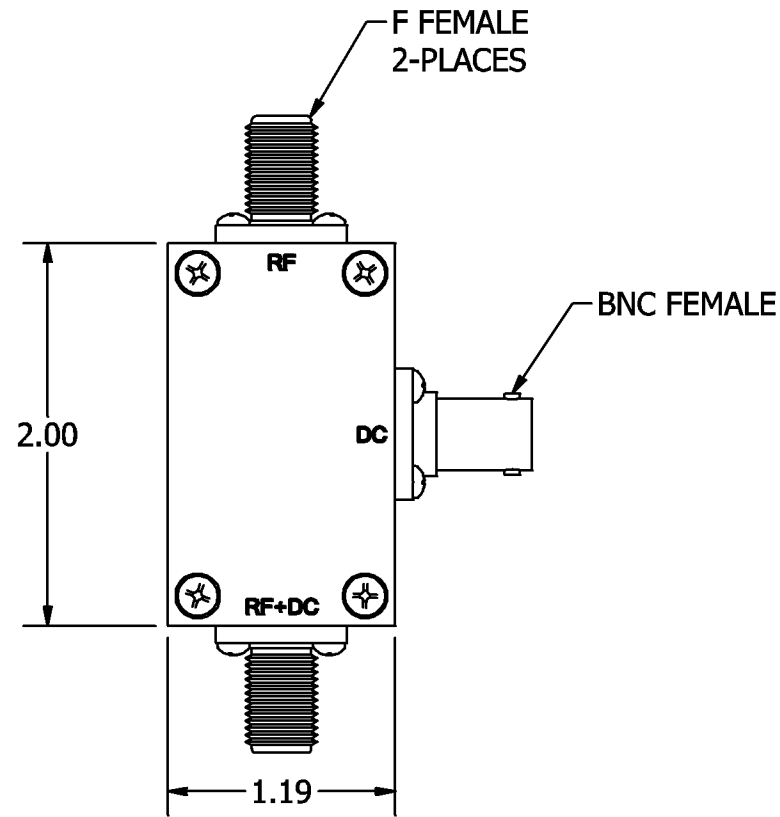
JFW MODEL 75BT-024


BIAS TAP

JFW Industries, Inc.
Phone: 317-887-1340
sales@jfwindustries.com
www.jfwindustries.com

Frequency Range	950-2150 MHz
Impedance	75 Ohms nominal
VSWR (RF)	1.3:1 maximum (950-2150 MHz)
Insertion Loss (RF)	0.5 dB maximum (RF to RF+DC)
Insertion Loss (10MHz)	0.5 dB maximum (RF+DC to DC)
RF to DC/10MHz Isolation	20dB typical
DC Breakdown Voltage	100 Volts
DC Current Handling	1 Amp
RF Input Power	1 Watt average
RF Connector	F female
DC Connector	BNC female
Operating Temperature Range	-55°C to +85°C
Physical Size	See outline drawing: 092-7710 (F F/F F/B F)

ECR/ECN #	DATE	REV	APPR / DATE	ECR/ECN #	DATE	REV	APPR / DATE
	05/21/2013		BAC 05/21/2013				



REV	ECN	DATE	BY	APPR	 JFW INDUSTRIES, INC. www.jfwindustries.com PH: 317-887-1340	
-	ISSUED	5-21-13	DBC	DBC		
A	27742	4-27-17	JZ	TEZ		
					MATERIAL	BRASS
					FINISH	NICKEL
					MODEL	75BT-XXX
					DESCRIPTION	BIAS TAP
					SCALE	FULL
					PROPRIETARY INFORMATION ALL SURFACES ARE TO BE FREE OF BURRS, PITS & SCRATCHES TOLERANCES .XX±.010 .XXX±.005 XX°±.5° DWG # 092-7710	