

SPECIFICATION SHEET

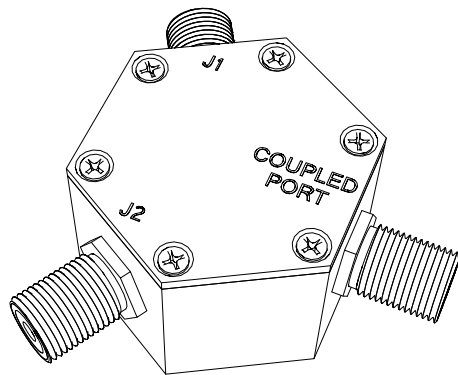
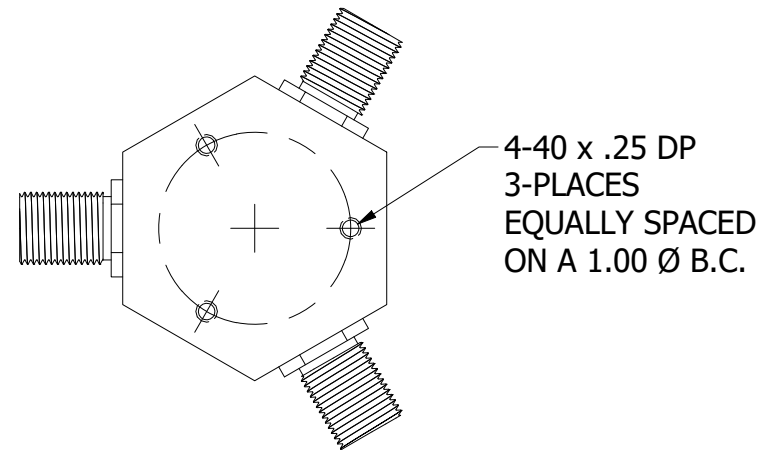
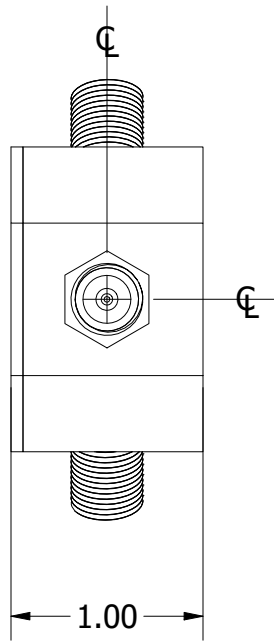
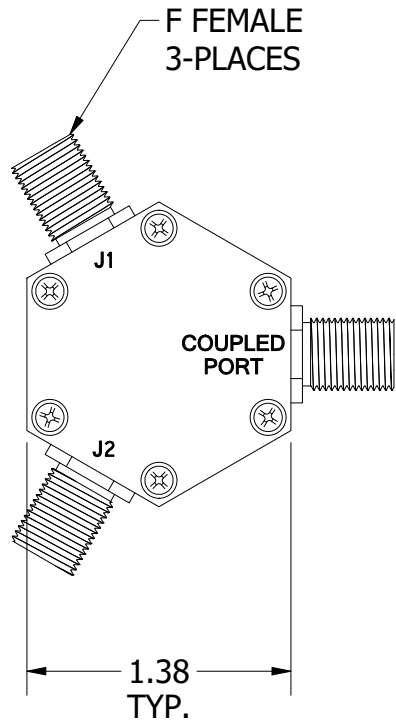
JFW MODEL 75C-049-XX

BI-DIRECTIONAL RESISTIVE COUPLER

JFW Industries, Inc.
Phone: 317-887-1340
sales@jfwindustries.com
www.jfwindustries.com

Frequency Range	DC-2150 MHz
Impedance	75 Ohms nominal
Coupling Value	20 dB nominal
Coupling Flatness	± 0.5 dB
VSWR	1.4:1 maximum
Insertion Loss	0.75 dB typical @ DC 0.85 dB typical @ 1000 MHz 1.00 dB typical @ 2100 MHz 1.25 dB maximum DC-2150MHz
RF Input Power	0.5 Watts average @ +25°C
RF Connector	F female
Operating Temperature Range	-40°C to +85°C
Physical Size	See outline drawing 092-4794

ECR/ECN #	DATE	REV	APPR / DATE	ECR/ECN #	DATE	REV	APPR / DATE
	10/01/2014		BAC 10/01/2014				



REV	ECN	DATE	BY	APPR
-	ISSUED	5-3-05	LT	TEZ
A	11164	5-13-06	LT	TEZ
B	12635	4-21-06	ETW	TEZ
C	18927	7-29-10	JZ	TEZ
D	24444	9-13-19	GM	JZ



JFW INDUSTRIES, INC.

www.jfwindustries.com

PH: 317-887-1340

MATERIAL	ALUMINUM ALLOY	PROPRIETARY INFORMATION
FINISH	CHEMFILM TCP	ALL SURFACES ARE TO BE FREE OF BURRS, PITS & SCRATCHES
MODEL		TOLERANCES .XX±.010 .XXX±.005 XX°±.5°
DESCRIPTION	RESISTIVE COUPLER	DWG # 092-4794
		SCALE FULL