

SPECIFICATION SHEET

JFW MODEL 75DR-022

DUAL ROTARY ATTENUATOR

JFW Industries, Inc.
Phone: 317-887-1340
sales@jfwindustries.com
www.jfwindustries.com

Frequency Range DC-1000 MHz

Impedance 75 Ohms nominal

Attenuation Range 0-11 dB in 0.1 dB steps

VSWR 1.4:1 maximum DC-500 MHz
1.5:1 maximum 500-1000 MHz

Insertion Loss 1.25 dB maximum
1.00 dB typical

Attenuation Accuracy ± 0.05 dB (0.1 dB steps)
± 0.30 dB (1.0 dB steps)

RF Input Power 1 Watt average
1000 Watts peak

Direction of Rotation Attenuation increases in a Clockwise direction

Indexing 30 degrees with stops at Minimum and maximum

RF Connector BNC or F female

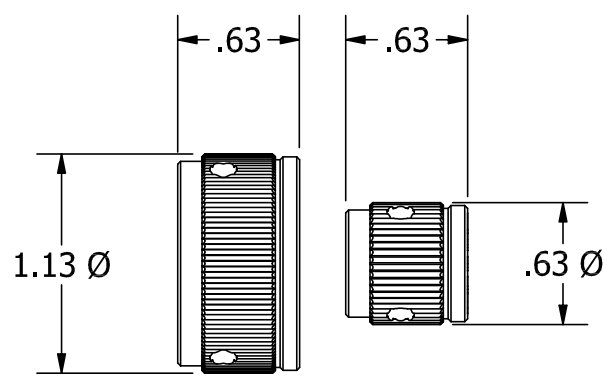
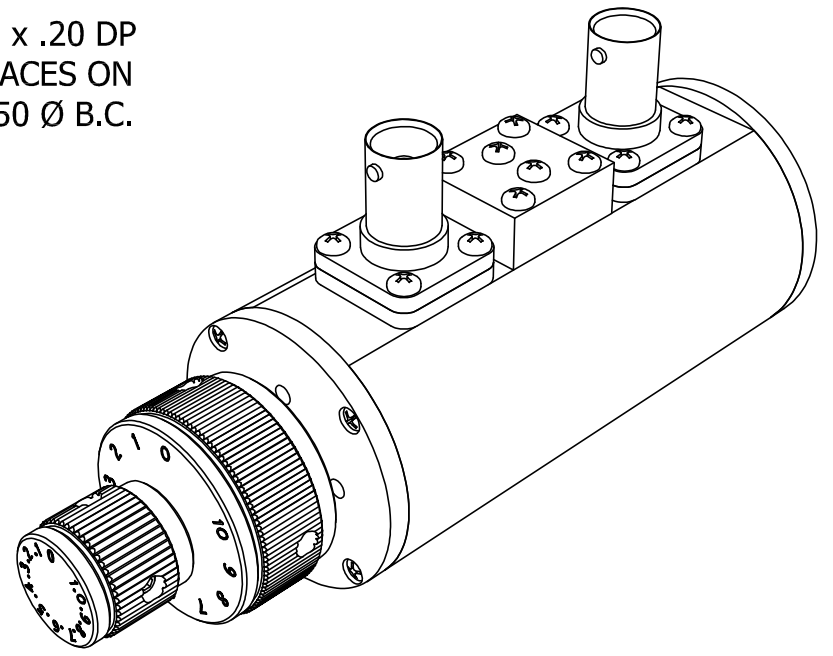
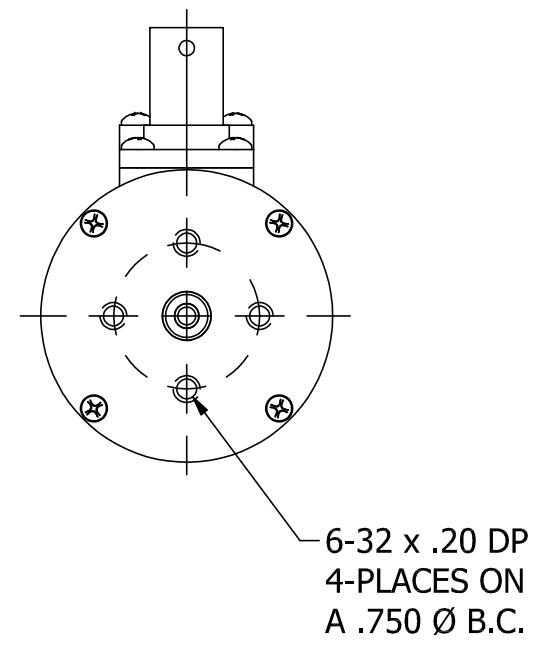
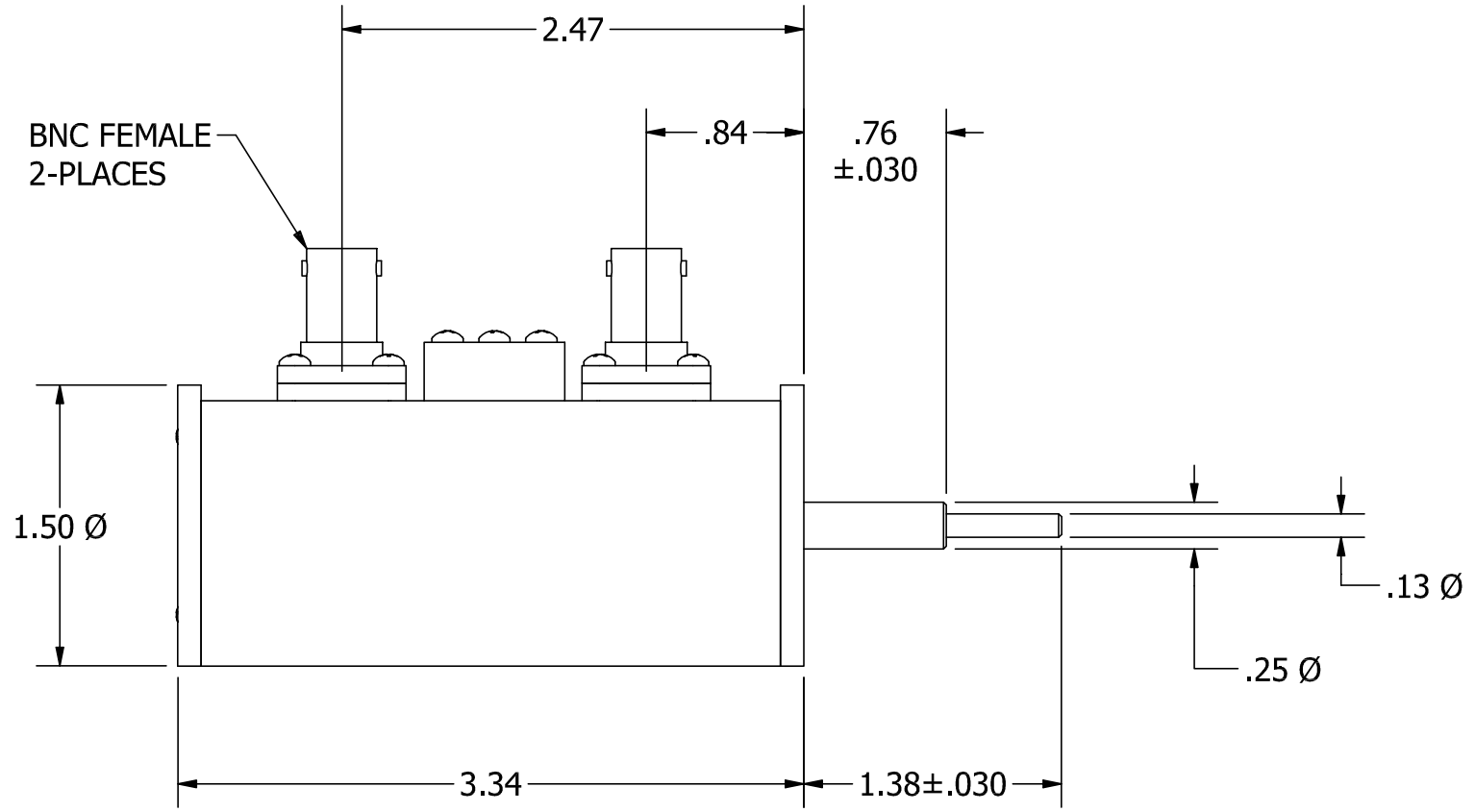
Operating Temperature Range -20°C to +85°C

Lifetime 500,000 attenuation steps (each knob)

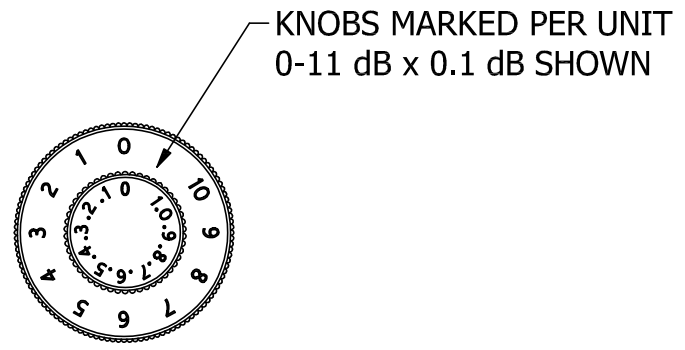
Knob/Panel Mounting Drawing 092-8435-02


Outline Drawings 092-9532-01 (75DR-022 BNC)
092-9532-03 (75DR-022 F)

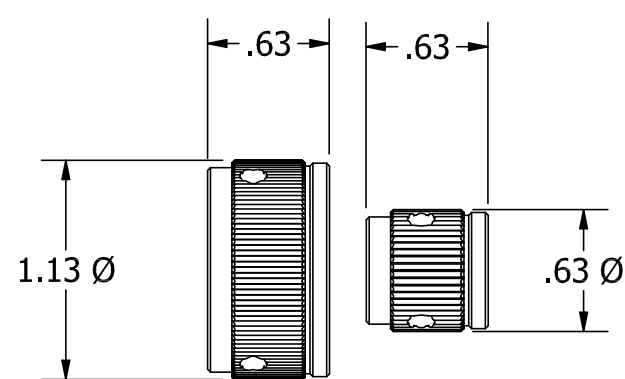
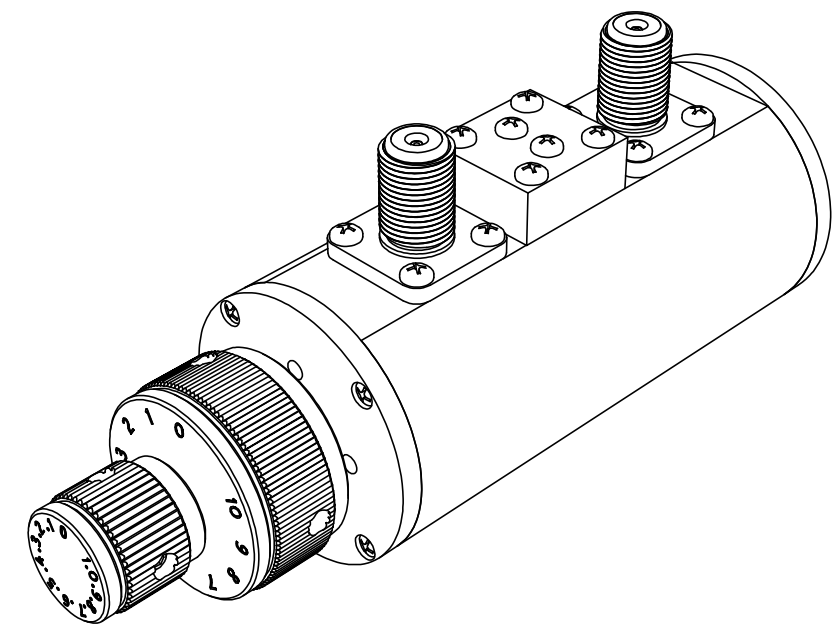
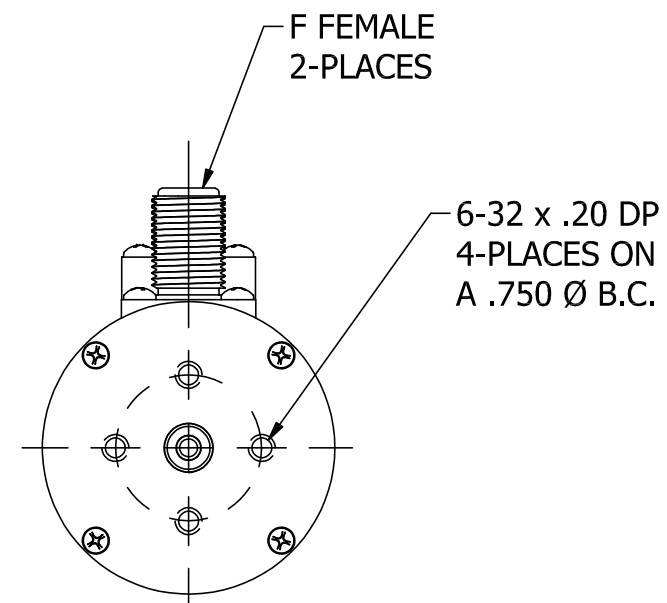
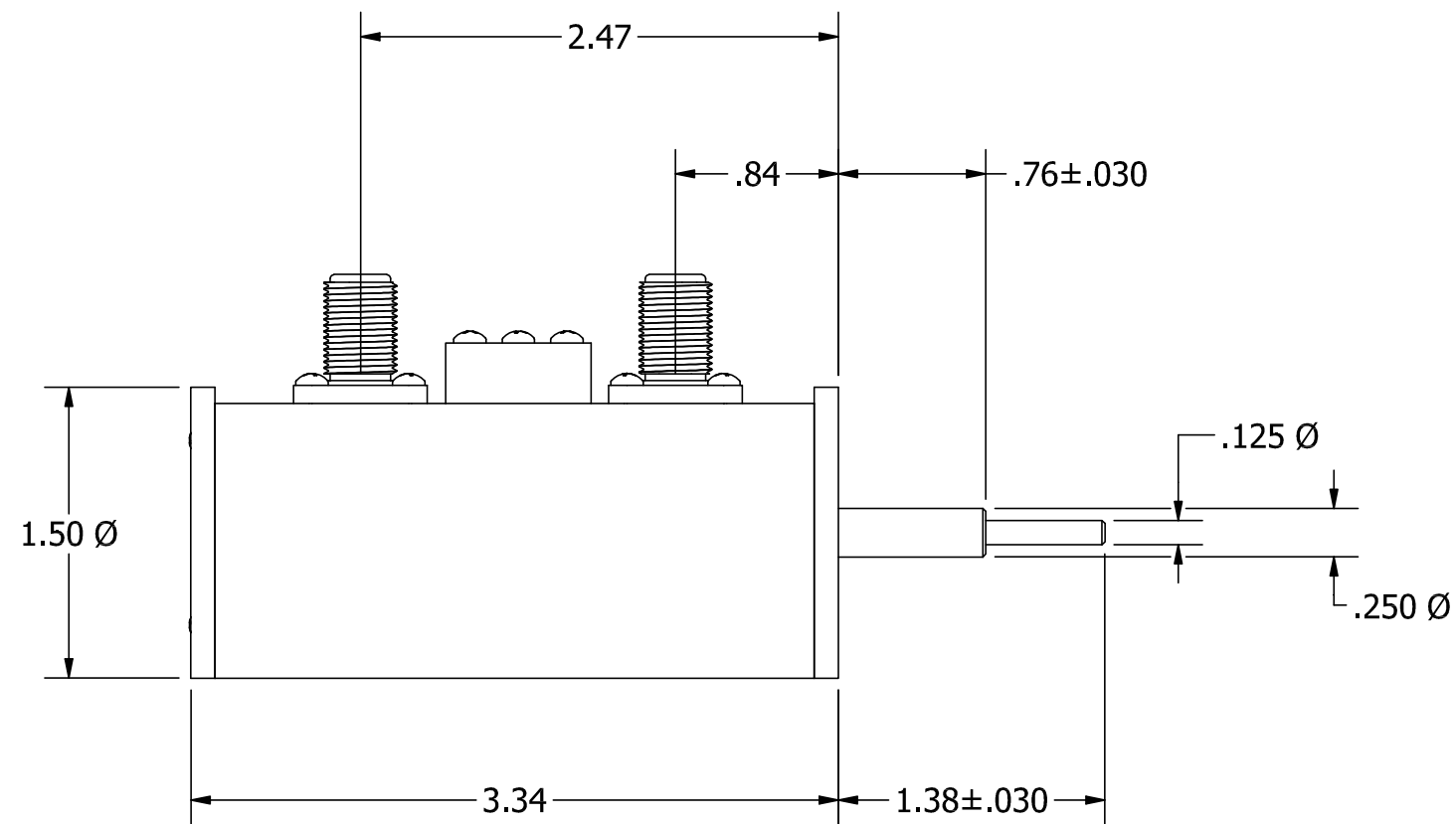
| ECR/ECN # | DATE | REV | APPR / DATE | ECR/ECN # | DATE | REV | APPR / DATE |
|-----------|------------|-----|----------------|-----------|------------|-----|----------------|
| 23479 | 11/26/2013 | D | TRS 11/27/2013 | 28157 | 10/05/2017 | G | TRS 10/05/2017 |
| 24023 | 04/16/2014 | E | TRS 04/16/2014 | 29672 | 07/24/2019 | H | TRS 07/24/2019 |
| 25776 | 09/28/2015 | F | TRS 09/29/2015 | 30384 | 05/11/2020 | I | TRS 05/11/2020 |



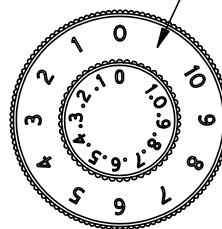
KNOB DETAIL



| REV | ECN | DATE | BY | APPR |  JFW INDUSTRIES, INC. www.jfwindustries.com PH: 317-887-1340 | | |
|-----|--------|---------|----|------|--|-------------------|--|
| - | ISSUED | 4-24-20 | GM | XX | MATERIAL | ALUMINUM ALLOY | PROPRIETARY INFORMATION |
| | | | | | FINISH | CHEMFILM TCP | ALL SURFACES ARE TO BE FREE OF BURRS, PITS & SCRATCHES |
| | | | | | MODEL | 75DR-XXX | TOLERANCES .XX±.010 .XXX±.005 XX°±.5° |
| | | | | | DESCRIPTION | ROTARY ATTENUATOR | DWG # 092-9532-01 |
| | | | | | | SCALE FULL | |



KNOB MARKED PER UNIT
0-11 dB x 0.1 dB SHOWN



| REV | ECN | DATE | BY | APPR |
|-----|--------|---------|----|------|
| - | ISSUED | 5-11-20 | GM | TRS |
| | | | | |
| | | | | |
| | | | | |
| | | | | |
| | | | | |
| | | | | |
| | | | | |
| | | | | |
| | | | | |



JFW INDUSTRIES, INC.

www.jfwindustries.com

PH: 317-887-1340

| | | |
|-------------|-------------------|--|
| MATERIAL | ALUMINUM ALLOY | PROPRIETARY INFORMATION |
| FINISH | CHEMFILM TCP | ALL SURFACES ARE TO BE FREE OF BURRS, PITS & SCRATCHES |
| MODEL | 75DR-XXX | TOLERANCES .XX±.010 .XXX±.005 XX°±.5° |
| DESCRIPTION | ROTARY ATTENUATOR | DWG # 092-9532-03 |

