

**SPECIFICATION SHEET**

**JFW MODEL 75FFD-XXX**

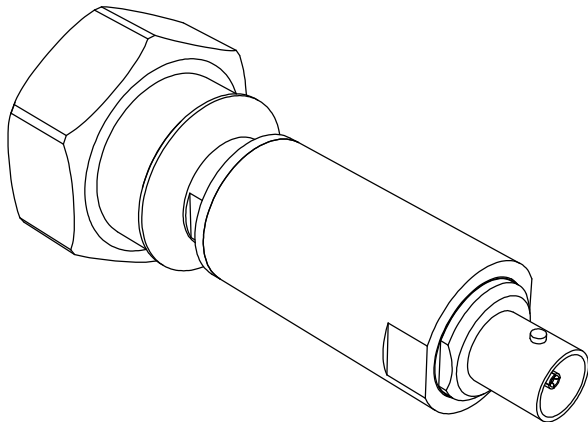
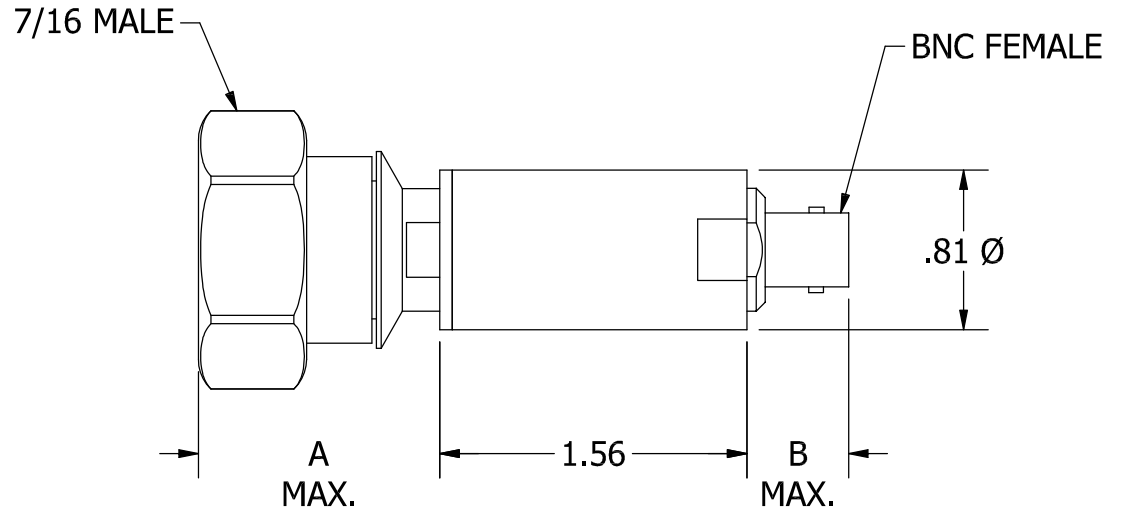
**DC PASSING FIXED ATTENUATOR**

JFW Industries, Inc.  
Phone: 317-887-1340  
sales@jfwindustries.com  
www.jfwindustries.com

Frequency Range	450-2000 MHz
Description	DC Passing Fixed Attenuator
Impedance	75 Ohms nominal
Attenuation Values (RF path)	3 thru 20 dB
VSWR	1.4:1 maximum
Attenuation Accuracy	± 0.5 dB
Typical Insertion Loss @ 10 MHz	0.85 dB nominal (75FFD-003) 0.75 dB nominal (75FFD-005) 0.75 dB nominal (75FFD-006) 0.65 dB nominal (75FFD-010) 0.60 dB nominal (75FFD-015) 0.55 dB nominal (75FFD-020)
RF Input Power	1 Watt average
DC Resistance	0.1 Ohms nominal
DC Ratings	50 Vdc maximum 4 Adc maximum
RF Connector	BNC or F
Physical Size	See outline drawing 092-7211

ECR/ECN #	DATE	REV	APPR / DATE	ECR/ECN #	DATE	REV	APPR / DATE
	05/28/2002			16689	01/08/2009	C	SMR 01/08/2009
9999	08/20/2003	A	SMR 05/03/2007	27028	09/07/2016	D	BAC 09/07/2016
16508	11/11/2008	B	SMR 11/11/2008	28507	02/15/2018	E	TRS 02/15/2018

CONNECTOR	DIM. A	DIM. B
SMA MALE	.51	.51
SMA FEMALE	.47	.47
BNC MALE	.78	.75
BNC FEMALE	.61	.61
TNC MALE	.75	.75
TNC FEMALE	.55	.55
N MALE	.91	N/A
N FEMALE	.68	.68
7/16 MALE	1.26	N/A
7/16 FEMALE	1.17	N/A
4.1/9.5 MALE	.91	N/A
4.1/9.5 FEMALE	.91	N/A
4.3/10 MALE	1.02	N/A
4.3/10 FEMALE	.96	N/A
F MALE	.47	.47
F FEMALE	.56	.56



REV	ECN	DATE	BY	APPR
-	ISSUED	8-23-16	JZ	TEZ
A	26361	3-2-16	MP	TEZ
B	26977	8-23-16	JZ	TEZ



**JFW INDUSTRIES, INC.**

[www.jfwindustries.com](http://www.jfwindustries.com)

PH: 317-887-1340

MATERIAL	PROPRIETARY INFORMATION
FINISH	ALL SURFACES ARE TO BE FREE OF BURRS, PITS & SCRATCHES
MODEL	TOLERANCES .XX±.010 .XXX±.005 XX°±.5°
DESCRIPTION	DWG #
VARIOUS	092-7211

SCALE  
FULL