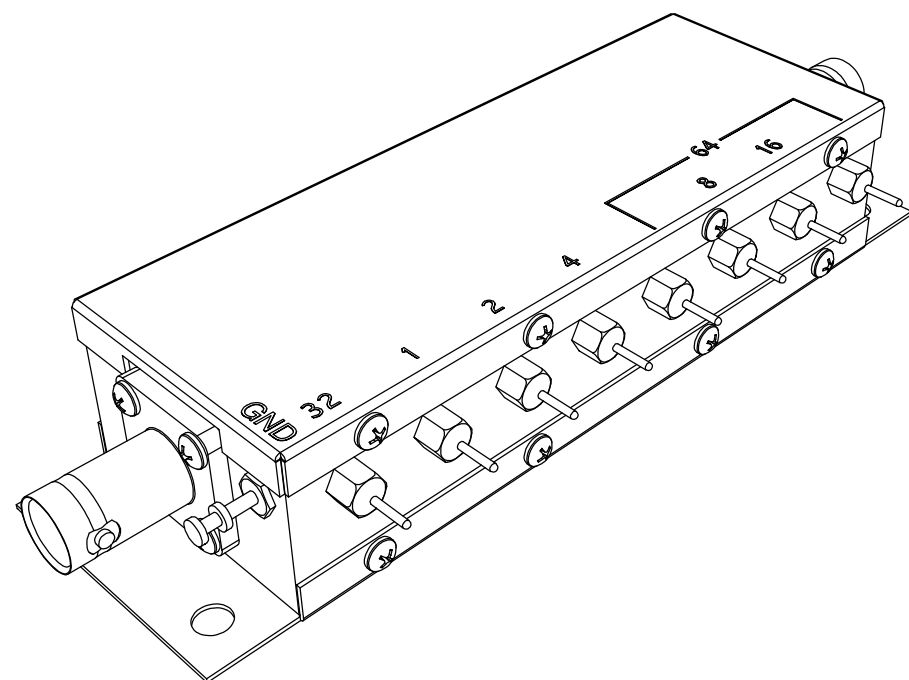
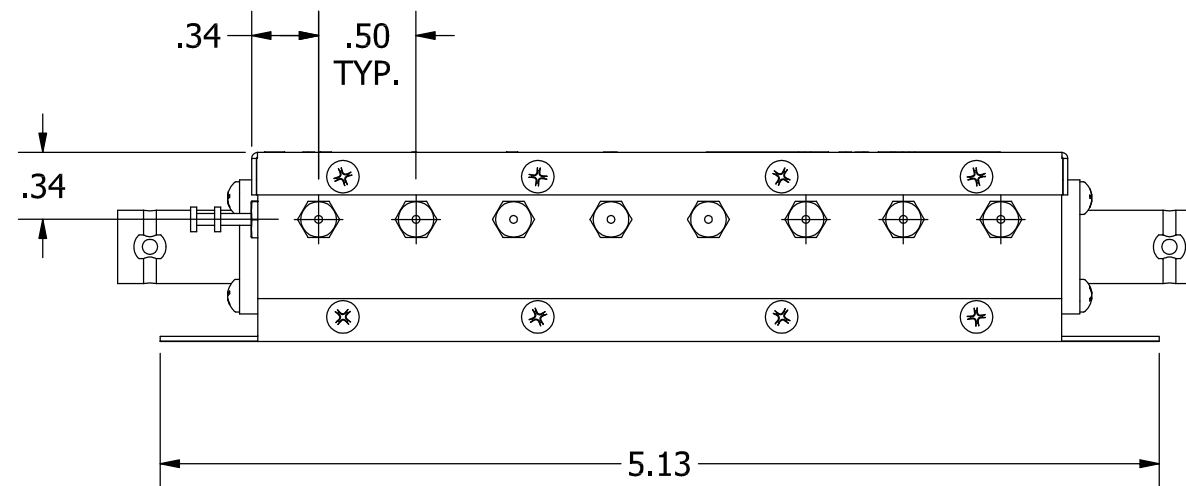
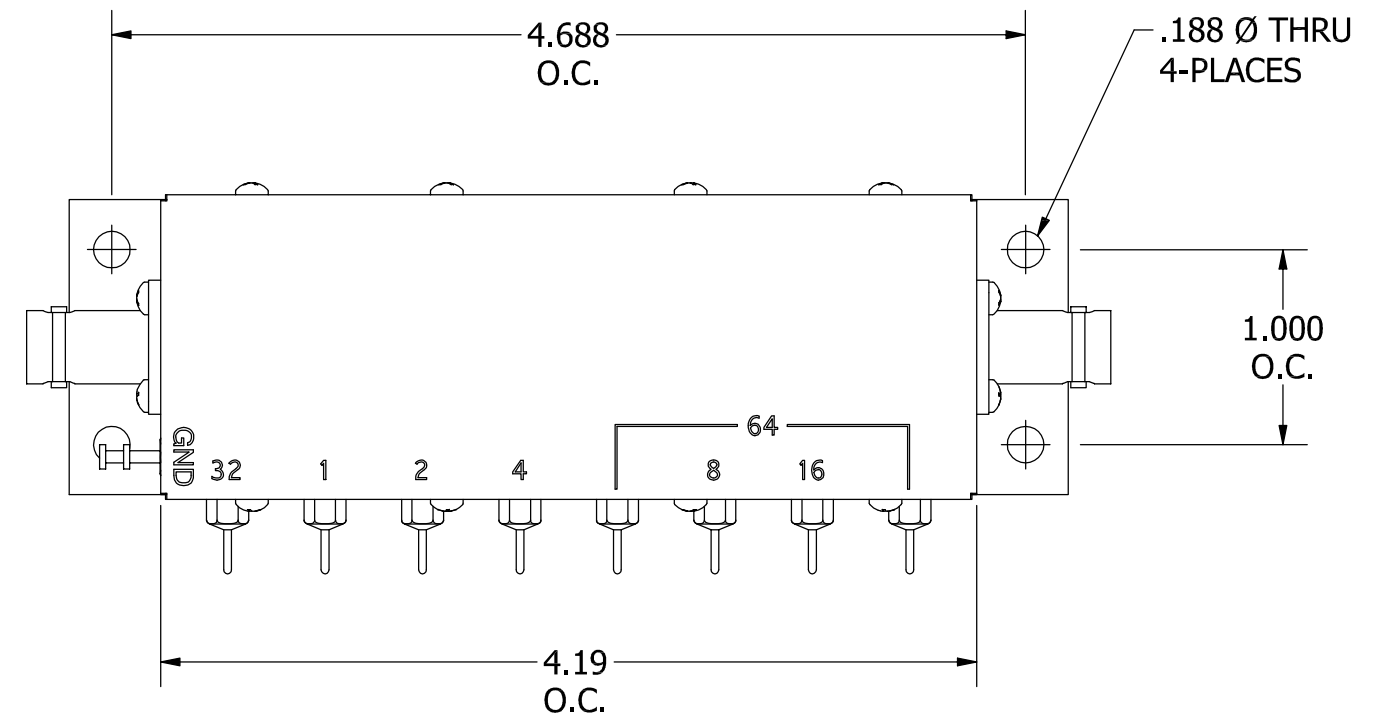
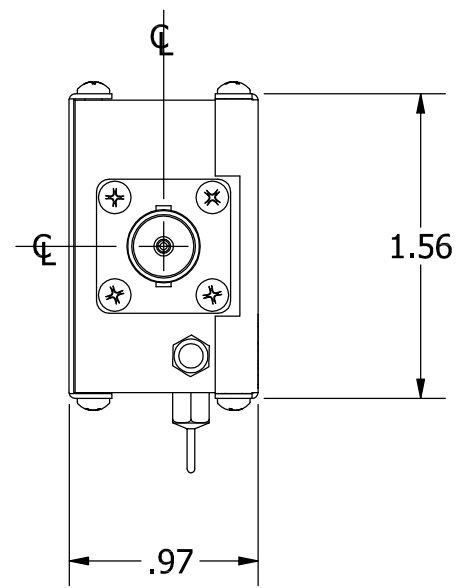


SPECIFICATION SHEET
JFW MODEL 75P-033
RELAY PROGRAMMABLE ATTENUATOR

JFW Industries, Inc.
 Phone: 317-887-1340
 sales@jfwindustries.com
 www.jfwindustries.com

Frequency Range	DC-1000 MHz
Impedance	75 Ohms nominal
Attenuation Range	0-127 dB in 1 dB steps
Attenuation Steps	1, 2, 4, 8, 16, 32 and 64 dB
VSWR	1.5:1 maximum
Attenuation Accuracy	± 0.5 dB DC-100 MHz ± 0.5 dB or 1% 100-500 MHz ± 0.5 dB or 2% 500-1000 MHz (whichever is greater)
Insertion Loss	2.5 dB nominal
RF Input Power	1 Watt average
Switching Speed	6 milliseconds
Control	+12 Vdc @ 30 mA per relay
DC Connector	0.040 Diameter solder terminals
RF Connector	F, BNC or N female
Operating Temperature Range	-20°C to +85°C
Physical Size	See outline drawing: 092-2859 (BNC) 092-2859-01 (F)

ECR/ECN #	DATE	REV	APPR / DATE	ECR/ECN #	DATE	REV	APPR / DATE
1109	06/22/1998	A		9999	03/05/2003	D	TRS 05/06/2003
1135	08/10/1998	B		27698	04/10/2017	E	CLK 04/10/2017
2418	06/27/2000	C					



REV	ECN	DATE	BY	APPR
-	ISSUED	8-7-98	CDJ	FDW
A	24444	10-23-15	JZ	TEZ



JFW INDUSTRIES, INC.
www.jfwindustries.com PH: 317-887-1340

MATERIAL	BRASS	PROPRIETARY INFORMATION
FINISH	NICKEL	ALL SURFACES ARE TO BE FREE OF BURRS, PITS & SCRATCHES
MODEL	75P-XXX	TOLERANCES .XX±.010 .XXX±.005 XX°±.5°
DESCRIPTION	PROGRAMMABLE ATTENUATOR	DWG #
		092-2859