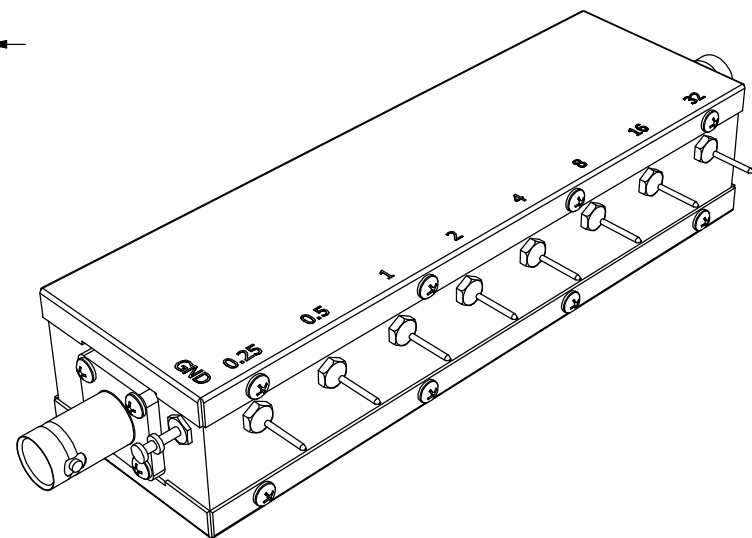
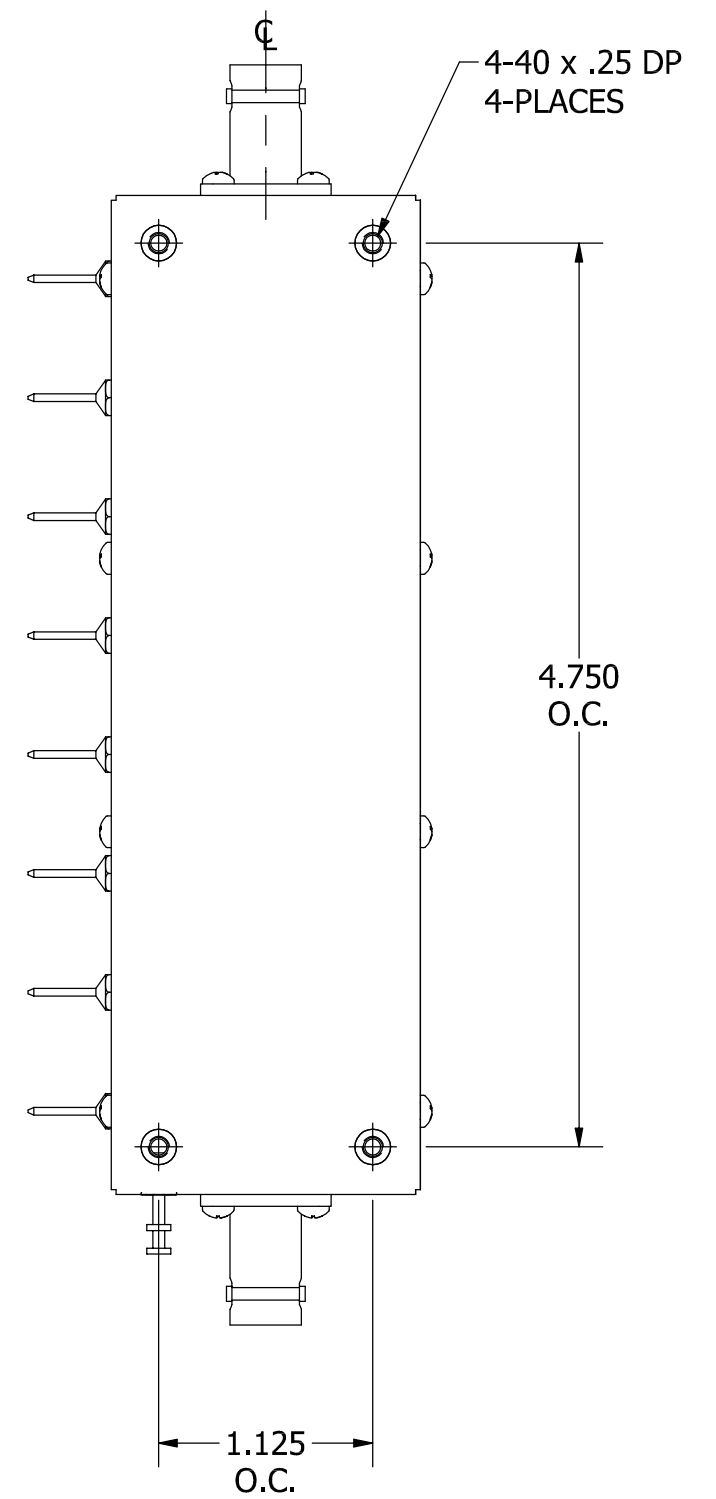
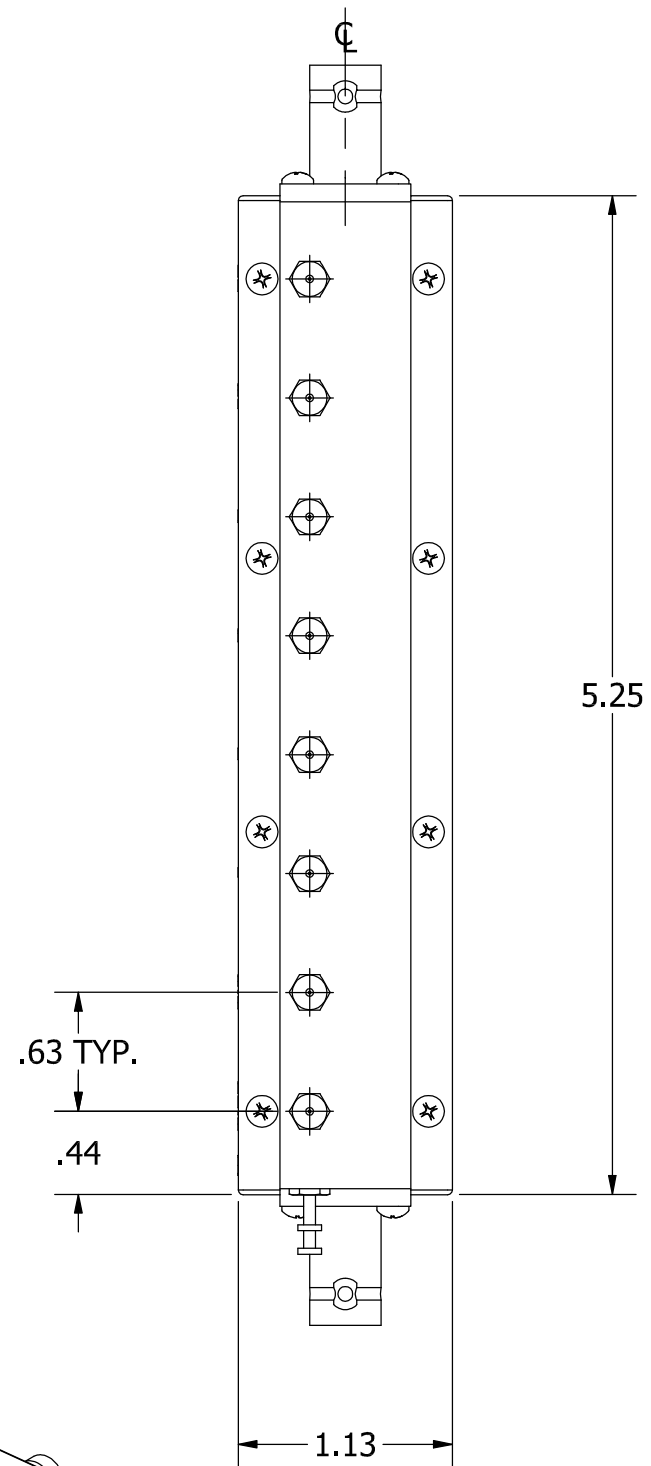
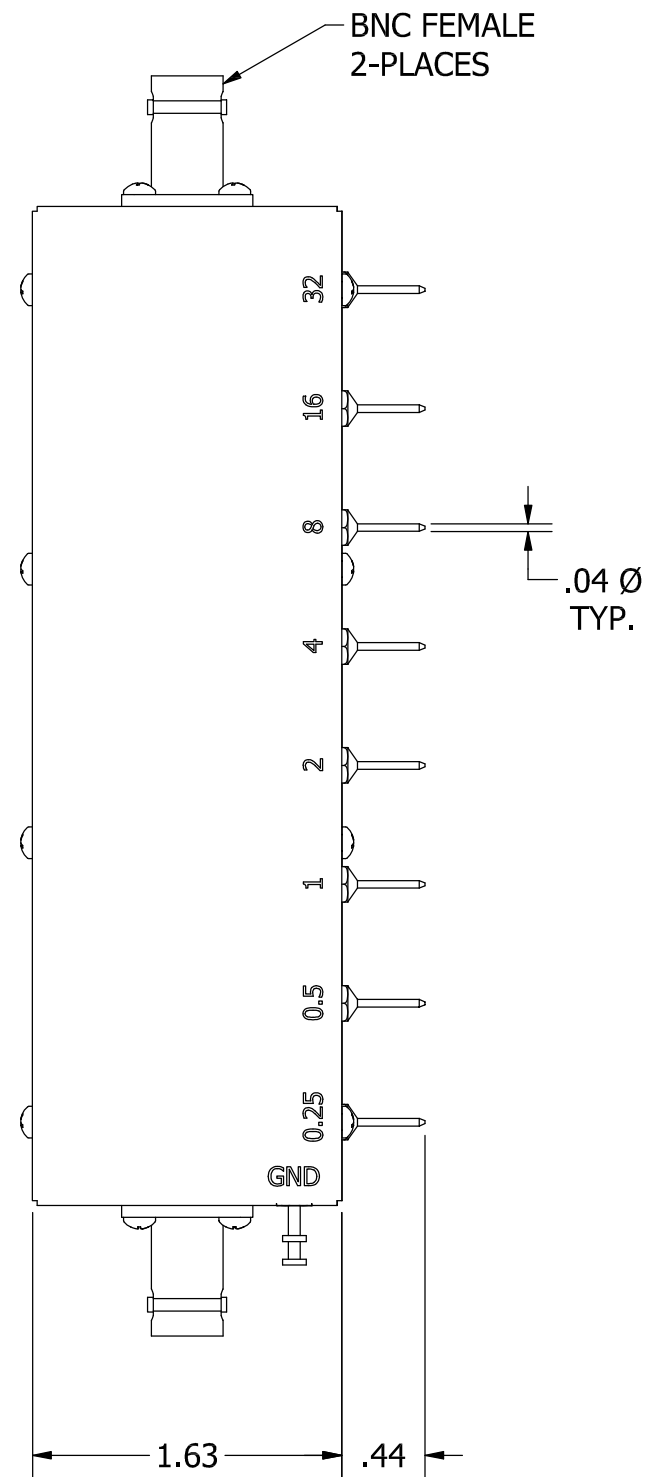


SPECIFICATION SHEET
JFW MODEL 75P-163
RELAY PROGRAMMABLE ATTENUATOR

JFW Industries, Inc.
 Phone: 317-887-1340
 sales@jfwindustries.com
 www.jfwindustries.com

Frequency Range	DC-1000 MHz
Impedance	75 Ohms nominal
Attenuation Range	0-63.75 dB in 0.25 dB steps
Attenuation Steps	0.25, 0.5, 1, 2, 4, 8, 16, and 32 dB
VSWR	1.4:1 maximum
Attenuation Accuracy	0.25 dB ± 0.05 dB 0.5, 1, and 2 dB ± 0.1 dB 4 and 8 dB ± 0.2 dB 16 dB ± 0.3 dB 32 dB ± 0.4 dB Accumulated Error ± 0.5 dB or 1.5% (whichever is greater)
Insertion Loss	2.2 dB maximum 0.75 dB typical at 500 MHz 1.50 dB typical at 1000 MHz
RF Input Power	0.5 Watts average
Switching Speed	6 milliseconds
Control (8 lines)	+12 Vdc @ 15 mA per relay (8 relays total)
DC Connector	Solder Terminals
RF Connector	BNC, F, N, or TNC female
Operating Temperature Range	-20°C to +85°C
Physical Size	See outline drawing 092-5413

ECR/ECN #	DATE	REV	APPR / DATE	ECR/ECN #	DATE	REV	APPR / DATE
	05/08/2007		TRS 05/08/2007				
14398	06/11/2007	A	TRS 07/12/2007				



REV	ECN	DATE	BY	APPR
-	ISSUED	5-14-07	BZ	TEZ
A	14428	7-23-07	BZ	TEZ
B	24444	9-25-15	JZ	TEZ



JFW INDUSTRIES, INC.

www.jfwindustries.com

PH: 317-887-1340

MATERIAL	BRASS	PROPRIETARY INFORMATION
FINISH	NICKEL	ALL SURFACES ARE TO BE FREE OF BURRS, PITS & SCRATCHES
MODEL	75P-XXX	SCALE FULL
DESCRIPTION	PROGRAMMABLE ATTENUATOR	TOLERANCES .XX±.010 .XXX±.005 XX°±5° DWG #
		092-5413