

SPECIFICATION SHEET

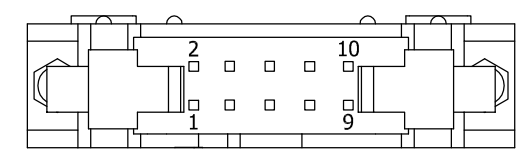
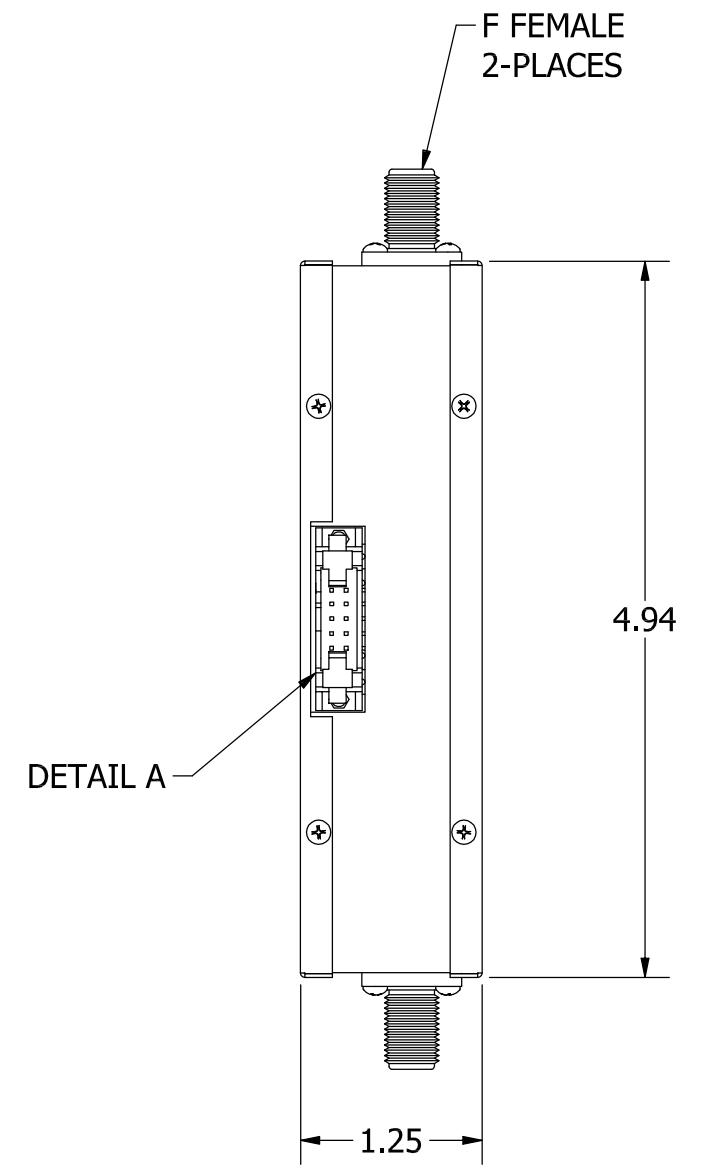
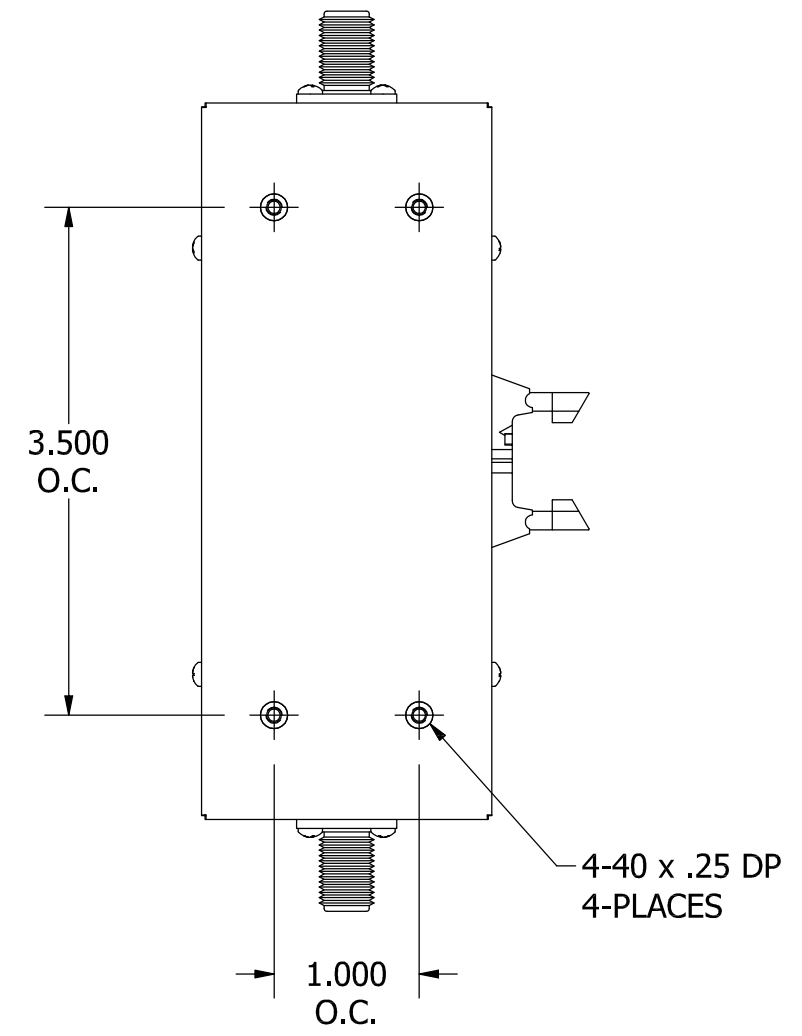
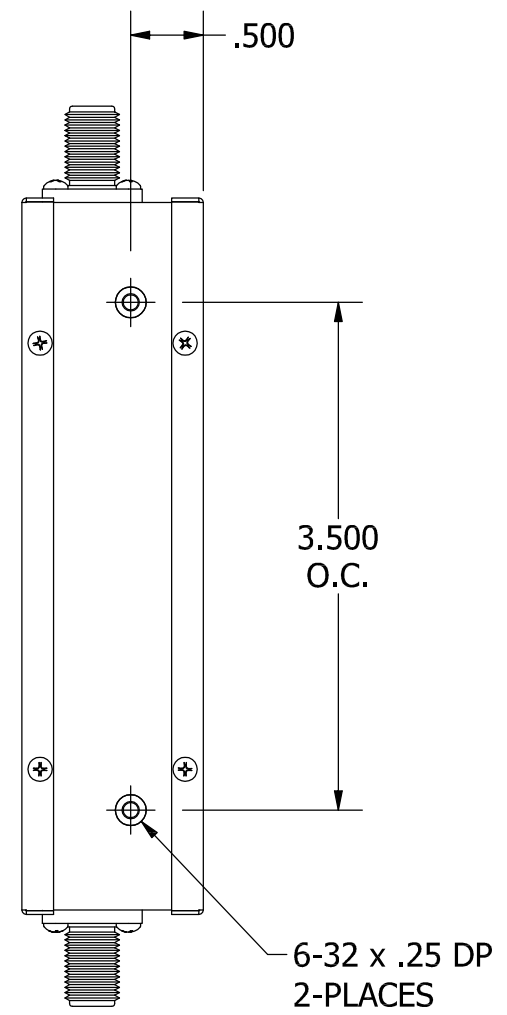
JFW MODEL 75P-173

SOLID STATE PROGRAMMABLE ATTENUATOR

JFW Industries, Inc.
Phone: 317-887-1340
sales@jfwindustries.com
www.jfwindustries.com

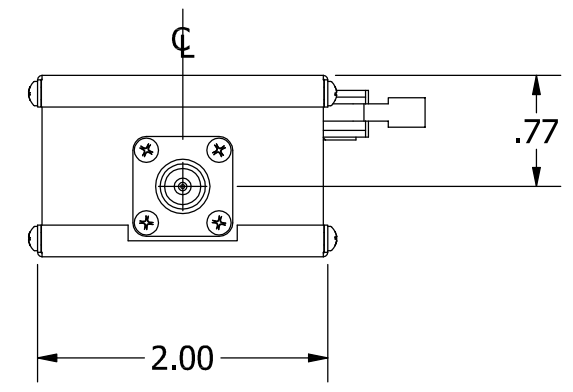
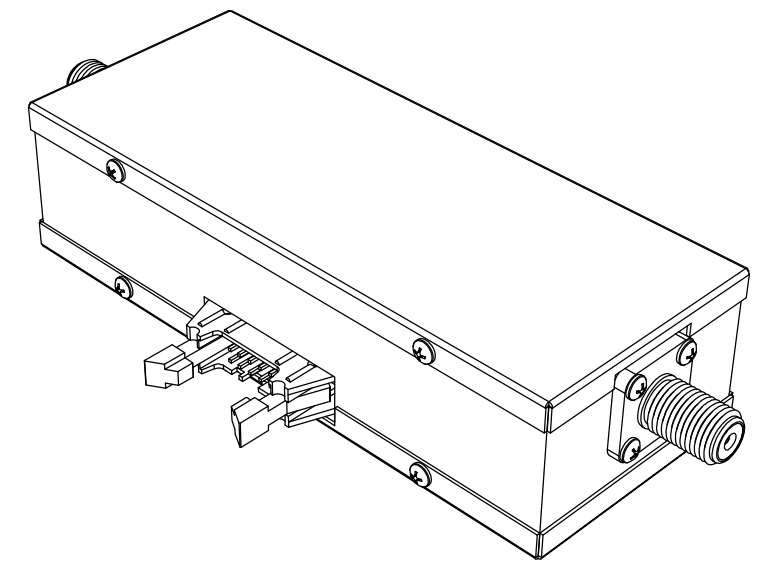
Frequency Range	450-2150 MHz
Impedance	75 Ohms nominal
Attenuation Range	0-127 dB in 1 dB steps
Attenuation Steps	1, 2, 4, 8, 16, 32 and 64 dB
VSWR	1.5:1 maximum
Attenuation Accuracy	1, 2, 4, 8 dB ± .3 dB 16, 32, 64 dB ± 3%
Insertion Loss	2.5 dB maximum to 450 MHz 4.5 dB maximum to 2150 MHz
RF Input Power	+20 dBm operating +30 dBm (no damage)
Switching Speed	2 microseconds
DC Supply	+5 Vdc @ 300 mA nominal
Control Logic (7 Lines)	TTL Low for Thru Path TTL High for Attenuation
DC Connector	3M #3793-5303
RF Connector	BNC, N, or F female
Operating Temperature Range	0°C to +70°C
Physical Size	See outline drawing 092-5781

ECR/ECN #	DATE	REV	APPR / DATE	ECR/ECN #	DATE	REV	APPR / DATE
	11/12/2009		CLK 11/12/2009				
20164	05/23/2011	A	CLK 05/23/2011				



DETAIL A
3M# 3793-5303

PIN	FUNCTION
1	1 dB TTL CONTROL
2	2 dB TTL CONTROL
3	4 dB TTL CONTROL
4	8 dB TTL CONTROL
5	16 dB TTL CONTROL
6	32 dB TTL CONTROL
7	64 dB TTL CONTROL
8	NO CONNECTION
9	+5 Vdc
10	GROUND



REV	ECN	DATE	BY	APPR
-	ISSUED	5-8-08	TEZ	TRS
A	24444	9-18-15	JZ	TEZ



JFW INDUSTRIES, INC.
www.jfwindustries.com PH: 317-887-1340

MATERIAL	BRASS	PROPRIETARY INFORMATION
FINISH	NICKEL	ALL SURFACES ARE TO BE FREE OF BURRS, PITS & SCRATCHES
MODEL	75P-XXXX	SCALE 3/4
DESCRIPTION	PROGRAMMABLE ATTENUATOR	TOLERANCES .XX±.010 .XXX±.005 XX°±.5°
		DWG# 092-5781