

SPECIFICATION SHEET

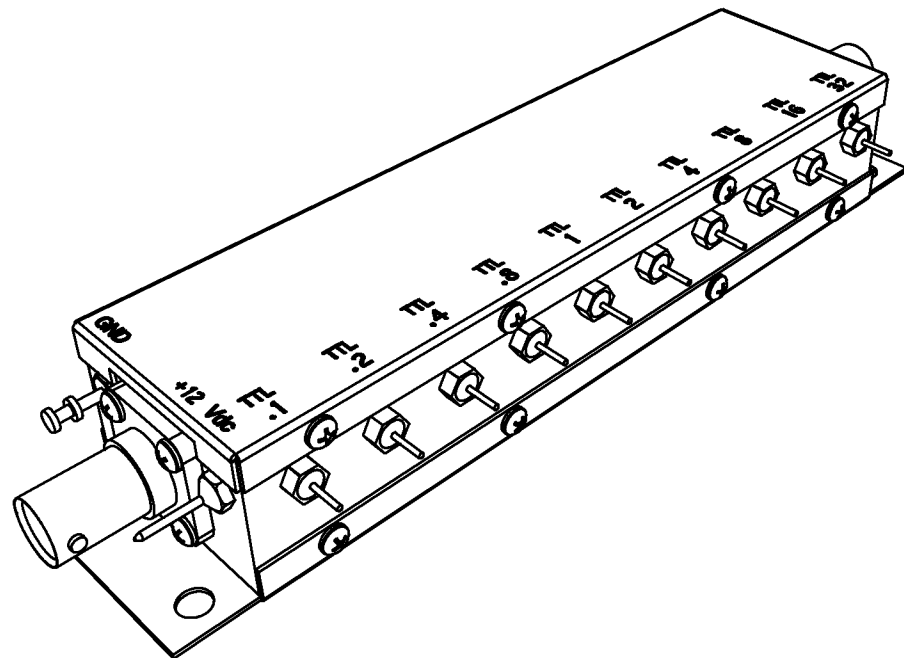
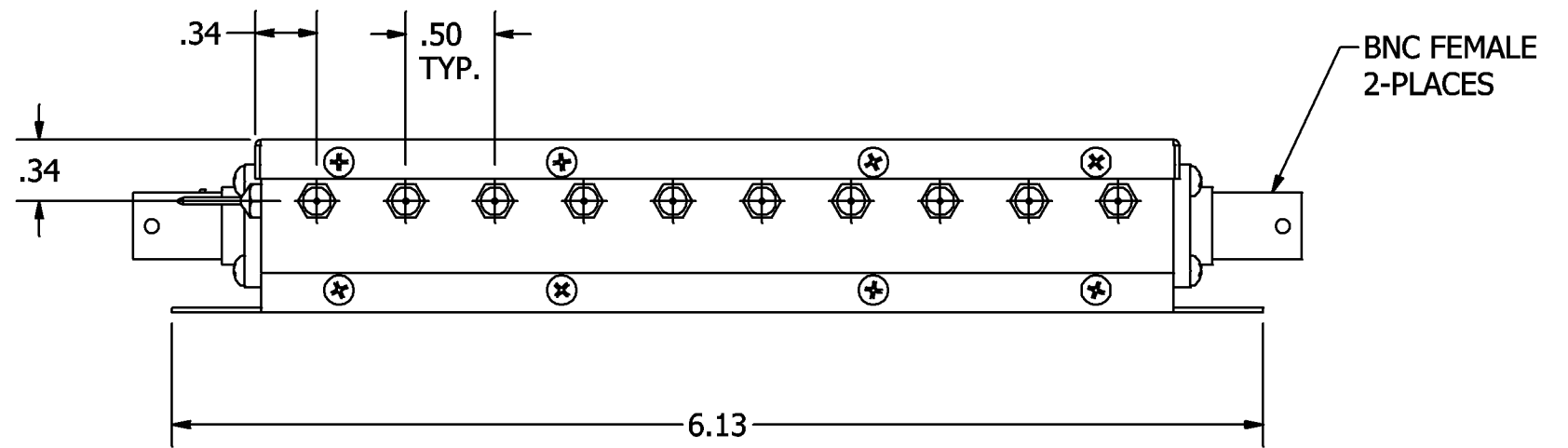
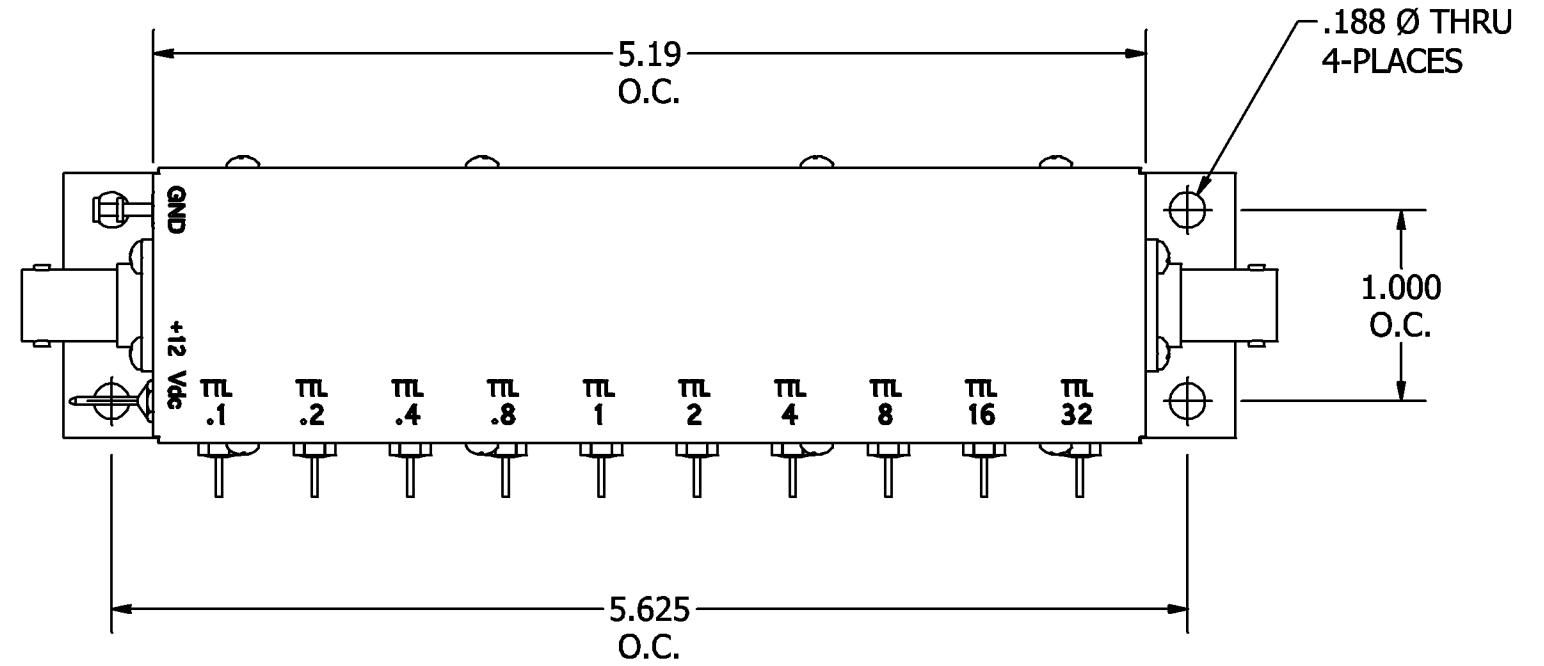
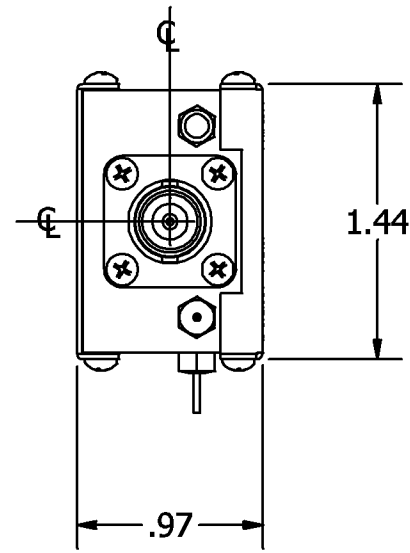
JFW MODEL 75P-180

RELAY PROGRAMMABLE ATTENUATOR

JFW Industries, Inc.
Phone: 317-887-1340
sales@jfwindustries.com
www.jfwindustries.com

Frequency Range	DC-1000 MHz
Impedance	75 Ohms nominal
Attenuation Range	0-64.5 dB in 0.1 dB steps
Attenuation Steps	0.1, 0.2, 0.4, 0.8, 1, 2, 4, 8, 16, and 32 dB
VSWR	1.5:1 maximum
Attenuation Accuracy	0.1, 0.2, 0.4 dB ± 0.05 dB 0.8, 1, 2, 4 dB ± 0.1 dB 8 dB ± 0.15 dB 16, 32 dB ± 0.25 dB Accumulated error ± 0.3 dB or 2%
Insertion Loss	3 dB maximum
RF Input Power	0.5 Watts average
Switching Speed	10 milliseconds
DC Supply	+12 Vdc @ 30 mA per relay (8 relays total)
Control (10 lines) "10-BIT"	TTL "Low" (0-0.8V) for Thru Path TTL "High" (2.0-5.0V) for Attenuation
DC Connector	Solder Terminals
RF Connector	BNC, F, N, or TNC female
Operating Temperature Range	0°C to +70°C
Physical Size	See outline drawing 092-6990

ECR/ECN #	DATE	REV	APPR / DATE	ECR/ECN #	DATE	REV	APPR / DATE
	06/09/2011		CLK 06/09/2011	21244	02/10/2012	C	BAC 02/10/2012
20409	08/03/2011	A	CLK 08/03/2011				
21099	01/05/2012	B	CLK 01/05/2012				



REV	ECN	DATE	BY	APPR
-	ISSUED	6-9-11	TEZ	CLK
A	21230	1-7-12	TEZ	TEZ
B	21240	2-9-12	JZ	TEZ
C	24444	10-23-15	JZ	TEZ
D	27900	6-1-17	CDC	TEZ



JFW INDUSTRIES, INC.
www.jfwindustries.com PH: 317-887-1340

MATERIAL	BRASS	PROPRIETARY INFORMATION
FINISH	NICKEL	ALL SURFACES ARE TO BE FREE OF BURRS, PITS & SCRATCHES
MODEL		TOLERANCES .XX±.010 .XXX±.005 XX°±.5°
DESCRIPTION	PROGRAMMABLE ATTENUATOR	DWG # 092-6990