

SPECIFICATION SHEET

JFW MODEL 75PA-079

PROGRAMMABLE ATTENUATOR ASSEMBLY

JFW Industries, Inc.
Phone: 317-887-1340
sales@jfwindustries.com
www.jfwindustries.com

Frequency Range	DC-1000 MHz
Configuration	Two individually controlled electromechanical programmable attenuators
Enclosure Type	19 inch rack mount @ 1RU high
Impedance	75 Ohms nominal
Attenuation Range	0-31 dB in 1 dB steps
Startup/Default States (configurable)	Maximum attenuation (see ATTEN STARTUP command) DHCP enabled (see NET command) 4 Ethernet users (see NET USERS command) Prompts off (see PROMPT command)
VSWR	1.7:1 maximum
Attenuation Accuracy (guaranteed monotonic)	± 0.5 dB
Insertion Loss	3 dB maximum
RF Input Power	0.5 Watts average
Switching Speed	20 milliseconds typical (after command is received and processed) (3 milliseconds typical processing time)
AC Supply	100-240 VAC @ 47-63 Hz 2 Amp 5x20mm "Slo-Blo" AC fuse Littelfuse#215-002, JFW#025-021
Remote Control	Ethernet (DHCP, TCP/IP, 10/100, up to 12 users) RS-232 (up to 115200 Baud)
Remote Commands	Attenuator Control Commands: Atten, Set Attenuator, Read Attenuator, Set All Attenuators, Read All Attenuators, Read All Extended, Block, Set Block, Read Block, Read All Blocks System Commands: Help, Identification, Store, Recall, Pause, Net, Serial, Close, Disconnect, MOTD, Date, Message, Restrict, IDENT, Name, Show Users, Reboot, Uptime, Prompt
RF Connector	F female
Operating Temperature Range	0°C to +50°C

--CONTINUED--

SPECIFICATION SHEET

JFW MODEL 75PA-079

PROGRAMMABLE ATTENUATOR ASSEMBLY

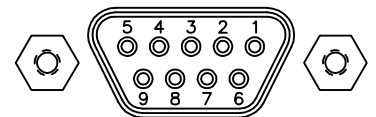
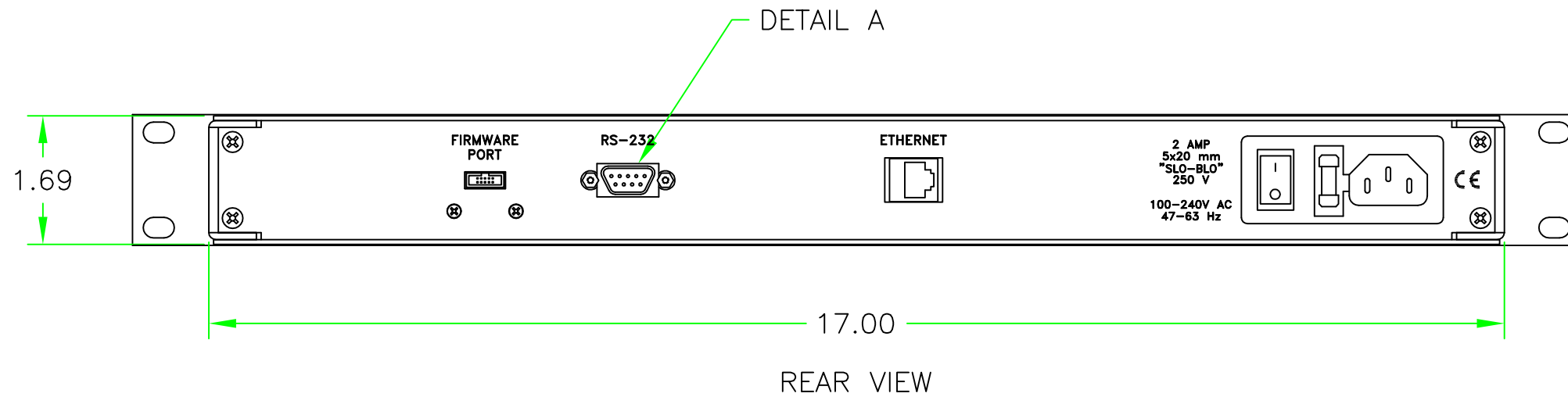
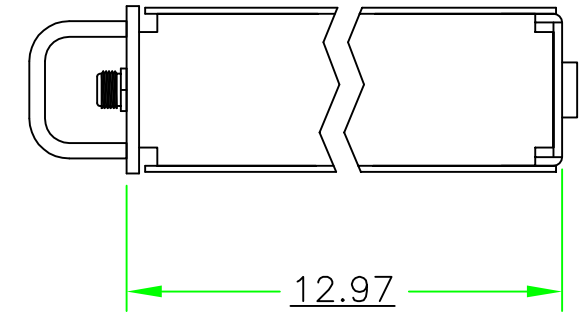
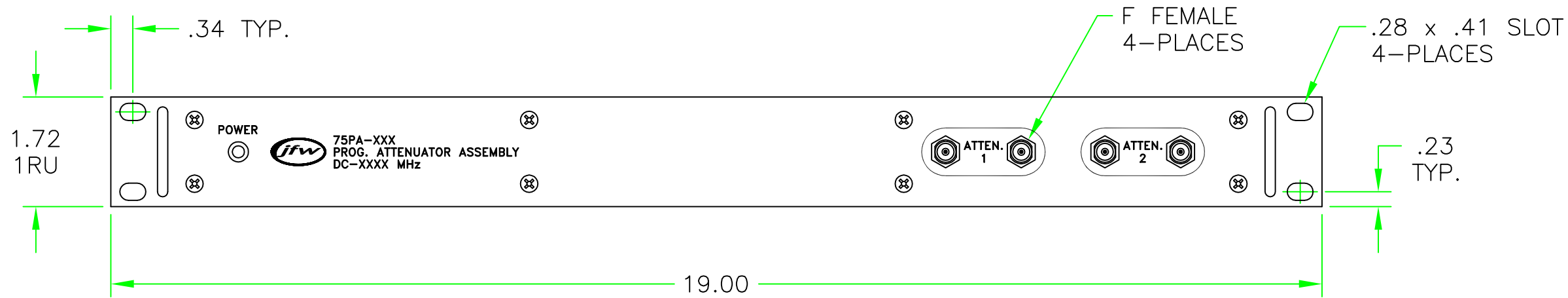
JFW Industries, Inc.
Phone: 317-887-1340
sales@jfwindustries.com
www.jfwindustries.com

Physical Size

See outline drawing 092-7950



ECR/ECN #	DATE	REV	APPR / DATE	ECR/ECN #	DATE	REV	APPR / DATE
	03/05/2014		TRS 03/05/2014				
24239	07/03/2014	A	TRS 07/03/2014				



DETAIL A
DE-9S

PIN	FUNCTION
1	CHASSIS GROUND
2	RECEIVED DATA
3	TRANSMITTED DATA
4	NO CONNECTION
5	SIGNAL GROUND
6	NO CONNECTION
7	RTS
8	CTS
9	NO CONNECTION

REV	ECN	DATE	BY	APPR
-	ISSUED	3-5-14	DTS	TRS
A	24240	6-19-14	JZ	TEZ
B	24846	1-22-15	JZ	TEZ



JFW INDUSTRIES, INC.

www.jfwindustries.com

PH: 317-887-1340

MATERIAL	ALUMINUM ALLOY	PROPRIETARY INFORMATION
FINISH	CHEMFILM TCP / FRONT: BLACK	ALL SURFACES ARE TO BE FREE OF BURRS, PITS, & SCRATCHES
MODEL	75PA-XXX	TOLERANCES SCALE 1/2 .XX±.010 .XXX±.005 .XX±.5'
DESCRIPTION	PROG. ATTEN. ASSEMBLY	DWG # 092-7950