

SPECIFICATION SHEET

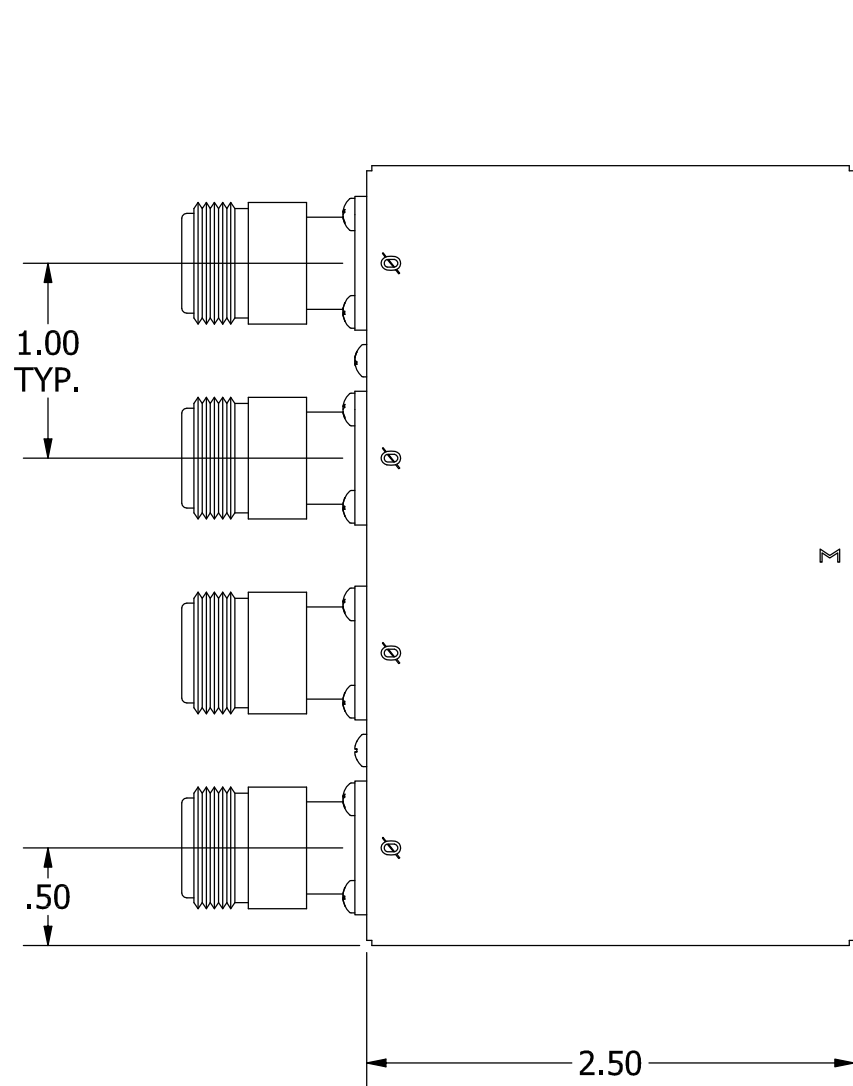
JFW MODEL 75PD-072

4 WAY REACTIVE POWER DIVIDER/COMBINER

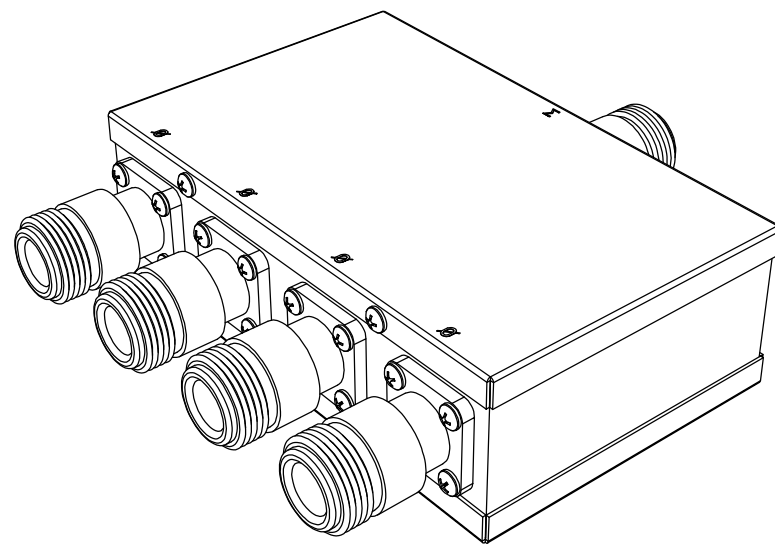
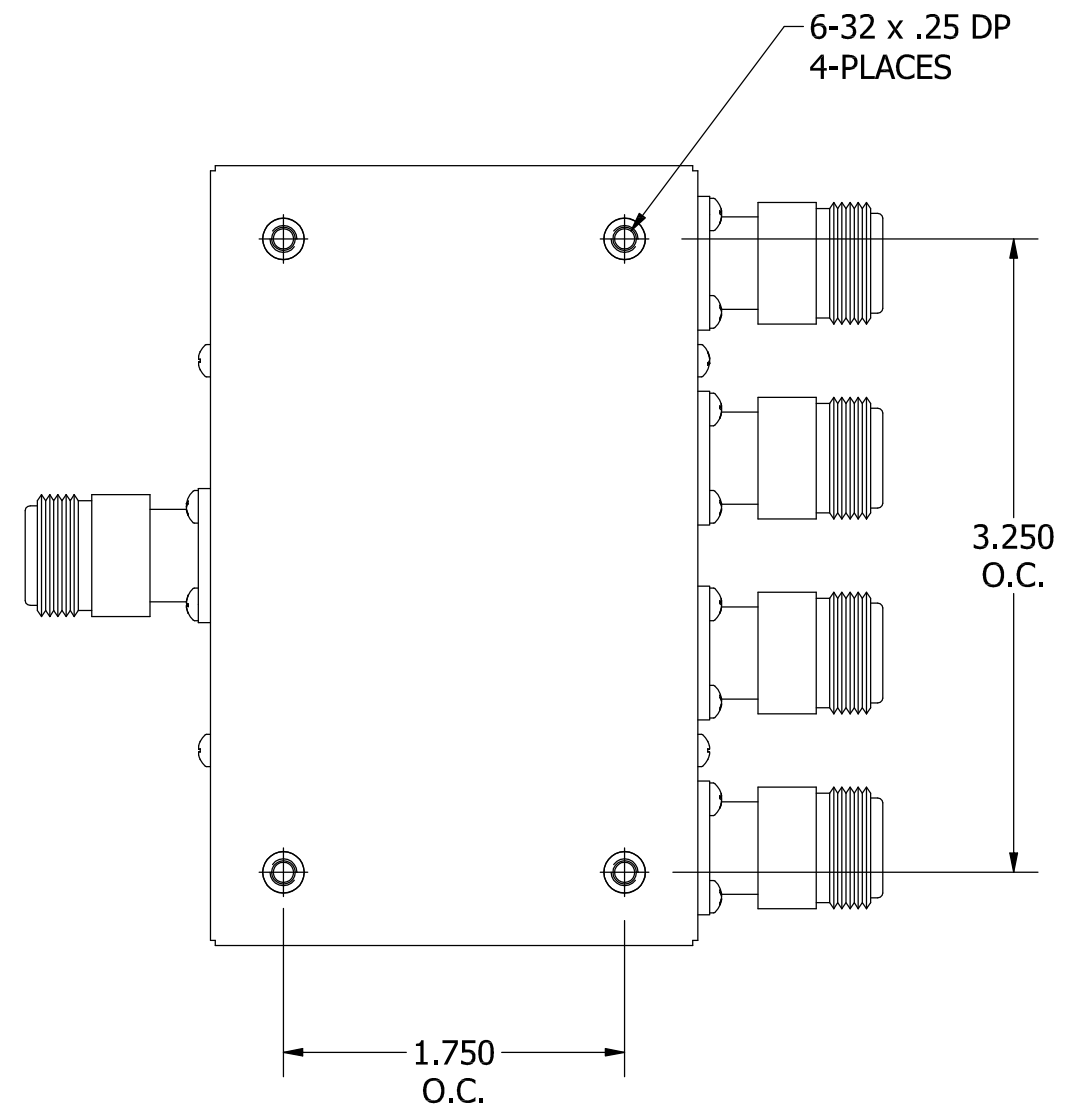
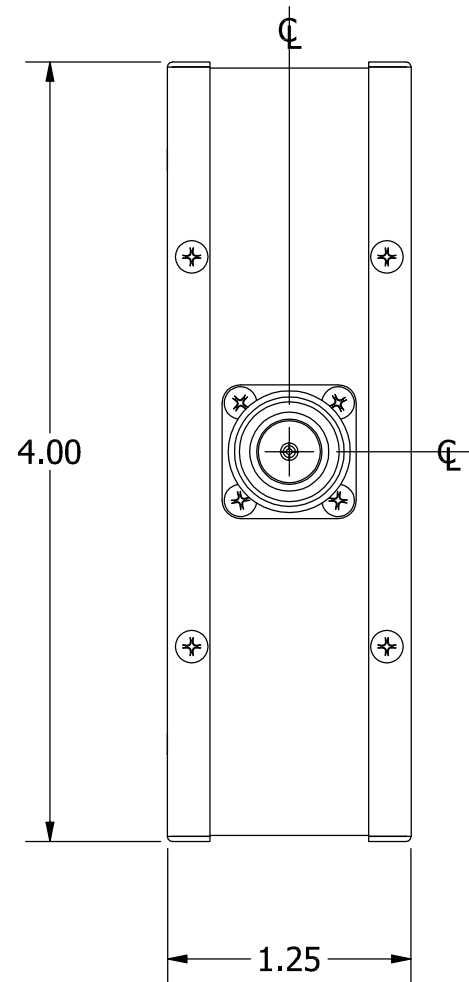
JFW Industries, Inc.
Phone: 317-887-1340
sales@jfwindustries.com
www.jfwindustries.com

Frequency Range	800-2400 MHz
Impedance	75 Ohms nominal
VSWR	1.5:1 maximum
Insertion Loss (above 6 dB split)	1 dB maximum
Amplitude Tracking	± 0.5 dB
Phase Tracking	± 5°
Isolation	20 dB minimum
RF Input Power	5 Watts average (divider) 0.3 Watts average (combiner ports)
Operating Temperature Range	-40°C to +85°C
RF Connector	N or F female
Physical Size	See outline drawing 092-3869

ECR/ECN #	DATE	REV	APPR / DATE	ECR/ECN #	DATE	REV	APPR / DATE
	07/17/2002						
4026	10/01/2002	A	SL 10/01/2002				
20510	08/30/2011	B	TRS 08/30/2011				



N FEMALE
5-PLACES



REV	ECN	DATE	BY	APPR
-	ISSUED	1-31-02	MH	TEZ
A	7428	3-24-03	BZ	TEZ
B	24444	10-9-15	JZ	TEZ



JFW INDUSTRIES, INC.

www.jfwindustries.com

PH: 317-887-1340

MATERIAL	BRASS	PROPRIETARY INFORMATION
FINISH	NICKEL	ALL SURFACES ARE TO BE FREE OF BURRS, PITS & SCRATCHES
MODEL	50PD-XXX & 75PD-XXX	TOLERANCES .XX±.010 .XXX±.005 XX°±.5°
DESCRIPTION	4 WAY POWER DIVIDER / COMBINER	DWG #
		092-3869