

SPECIFICATION SHEET

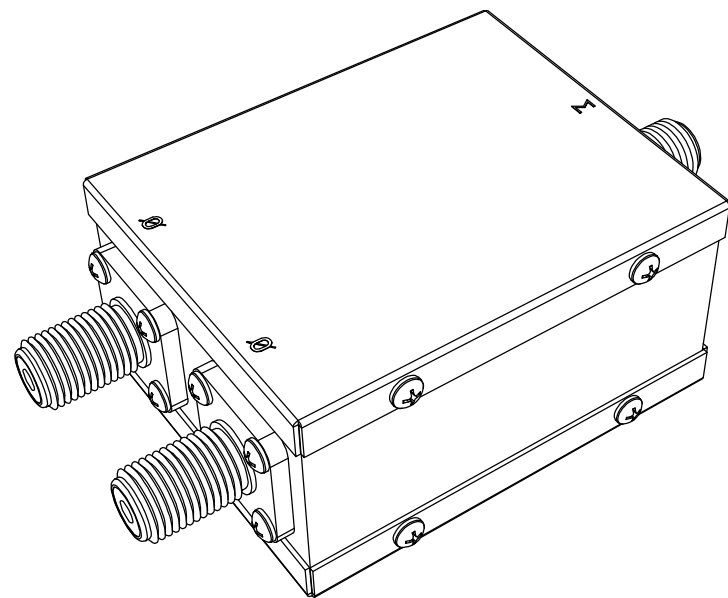
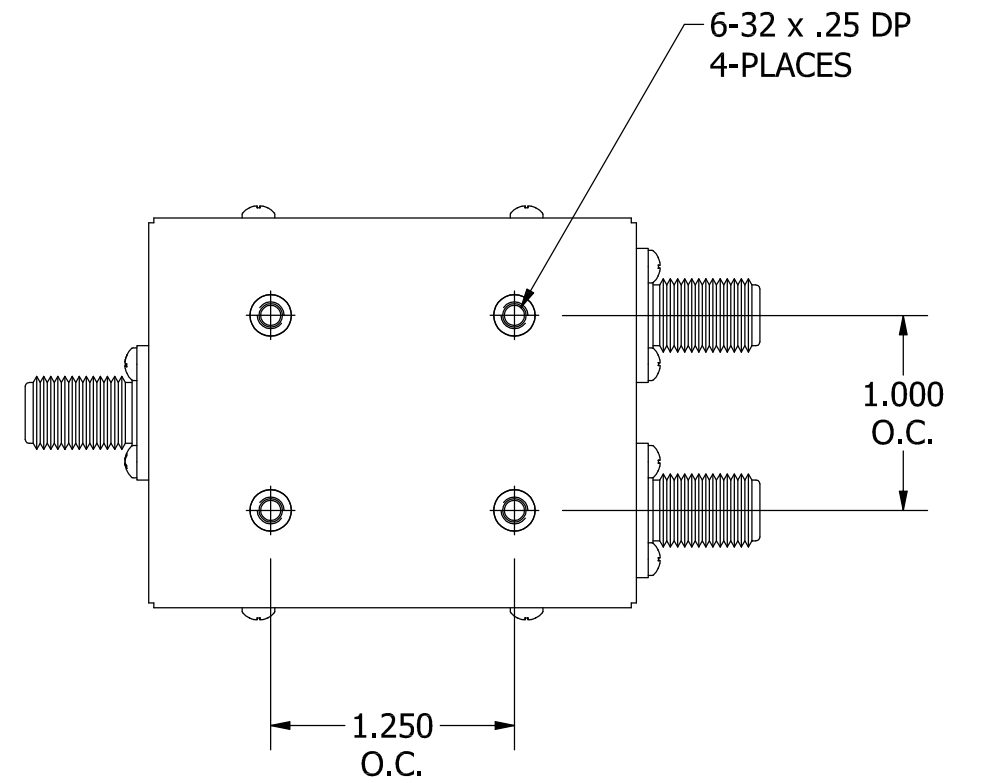
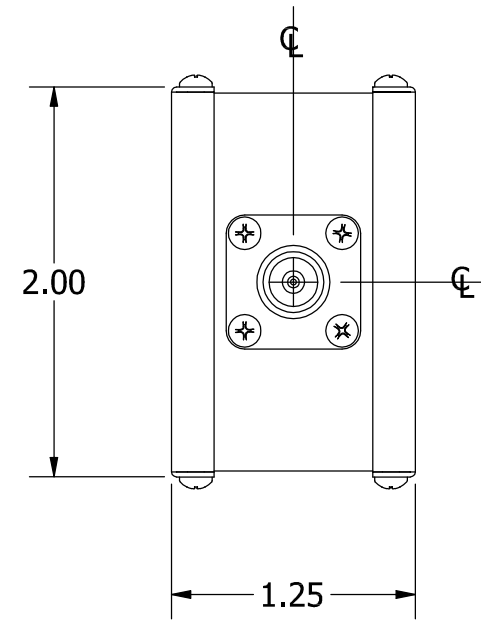
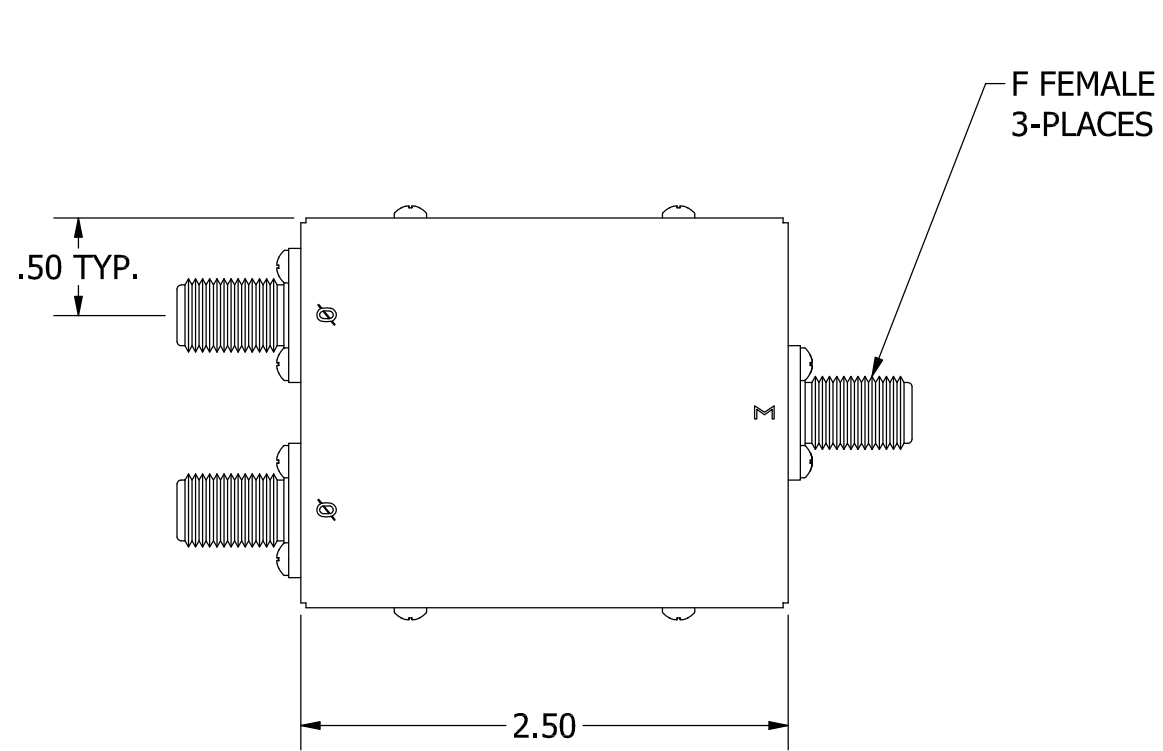
JFW MODEL 75PD-074

2 WAY REACTIVE POWER DIVIDER/COMBINER

JFW Industries, Inc.
Phone: 317-887-1340
sales@jfwindustries.com
www.jfwindustries.com

| | |
|--------------------------------------|---|
| Frequency Range | 800-2400 MHz |
| Impedance | 75 Ohms nominal |
| VSWR | 1.5:1 maximum |
| Insertion Loss (above 3 dB split) | 0.75 dB maximum |
| Amplitude Tracking | ± 0.4 dB |
| Phase Tracking | ± 5° |
| Isolation | 20 dB minimum |
| RF Input Power | 5 Watts average (divider) 0.3 Watts average (combiner ports) |
| Operating Temperature Range | -40°C to +85°C |
| RF Connector | BNC, N, or F female |
| Physical Size | See outline drawing 092-2986 |

| ECR/ECN # | DATE | REV | APPR / DATE | ECR/ECN # | DATE | REV | APPR / DATE |
|-----------|------------|-----|----------------|-----------|------|-----|-------------|
| | 10/01/2002 | | SL 10/01/2002 | | | | |
| 13367 | 09/14/2006 | A | TRS 09/14/2006 | | | | |
| 20510 | 08/30/2011 | B | TRS 08/30/2011 | | | | |



| REV | ECN | DATE | BY | APPR |
|-----|--------|---------|-----|------|
| - | ISSUED | 2-25-99 | TEZ | FDW |
| A | 10244 | 12-7-04 | BZ | TEZ |
| B | 24444 | 10-9-15 | JZ | TEZ |



JFW INDUSTRIES, INC.

www.jfwindustries.com

PH: 317-887-1340

| | | |
|-------------|--------------------------------|--|
| MATERIAL | BRASS | PROPRIETARY INFORMATION |
| FINISH | NICKEL | ALL SURFACES ARE TO BE FREE OF BURRS, PITS & SCRATCHES |
| MODEL | 75PD-XXX | TOLERANCES .XX±.010 .XXX±.005 XX°±.5° |
| DESCRIPTION | 2 WAY POWER DIVIDER / COMBINER | DWG # |
| | | 092-2986 |