

SPECIFICATION SHEET

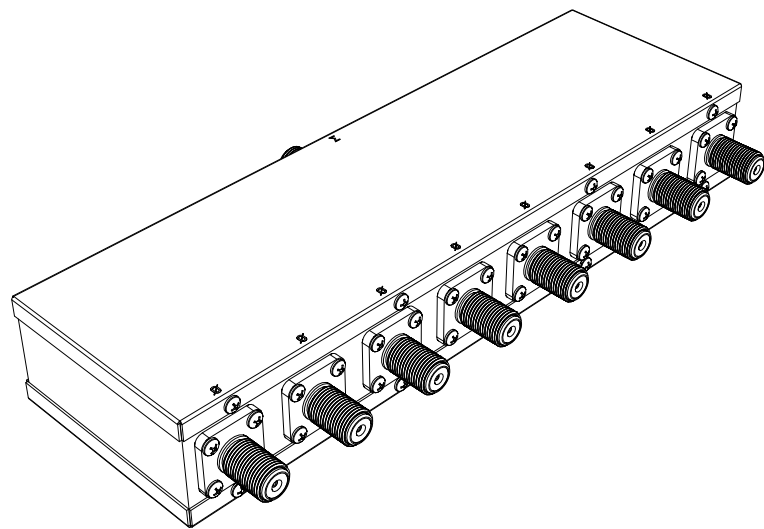
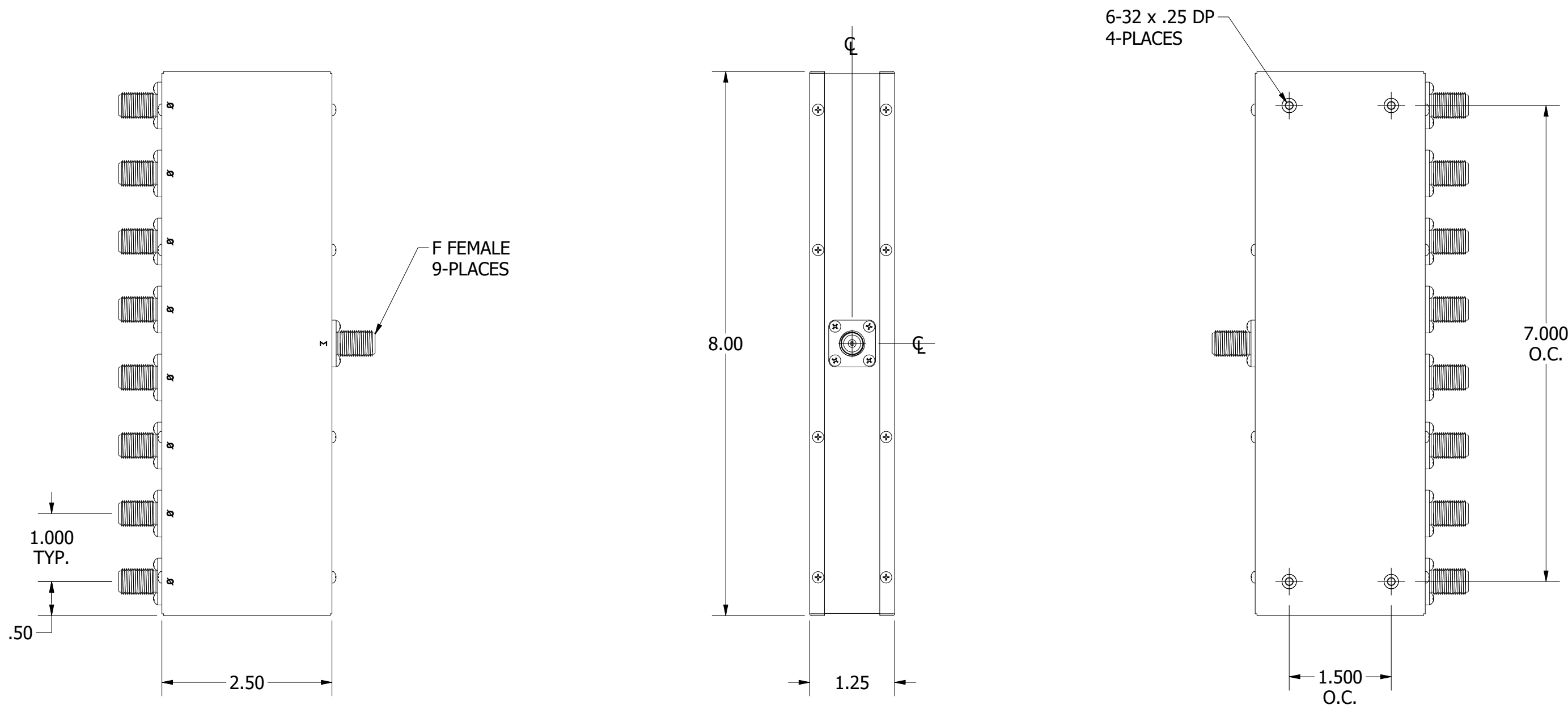
JFW MODEL 75PD-075

8 WAY REACTIVE POWER DIVIDER/COMBINER


JFW Industries, Inc.
Phone: 317-887-1340
sales@jfwindustries.com
www.jfwindustries.com

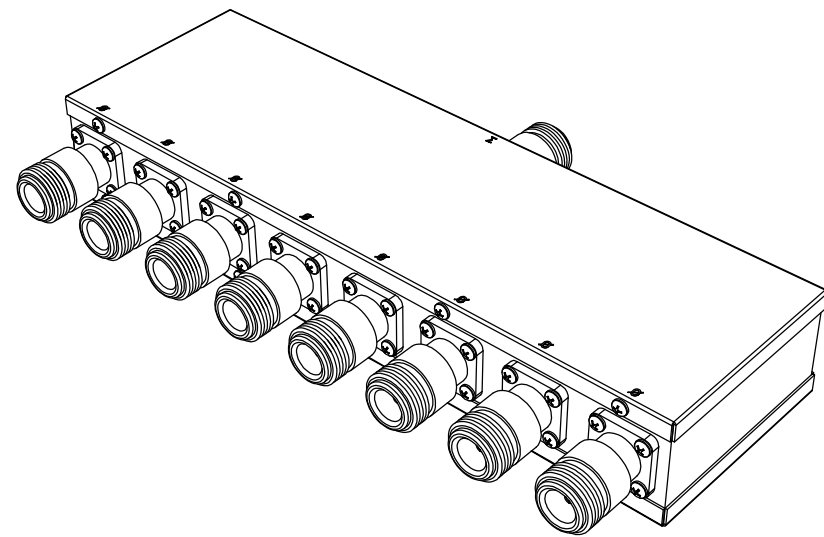
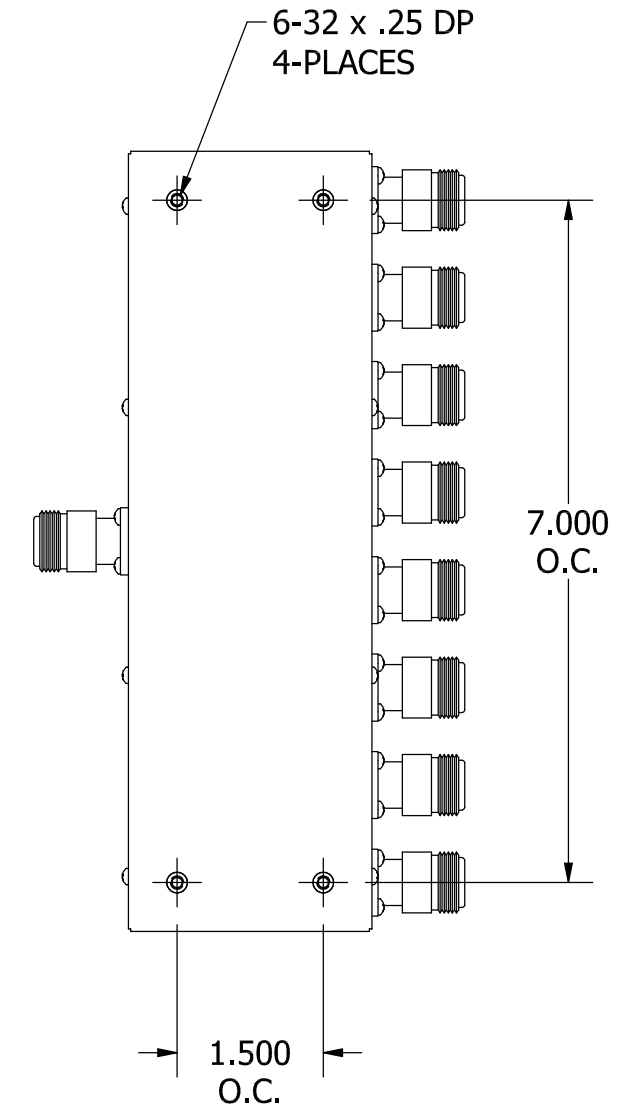
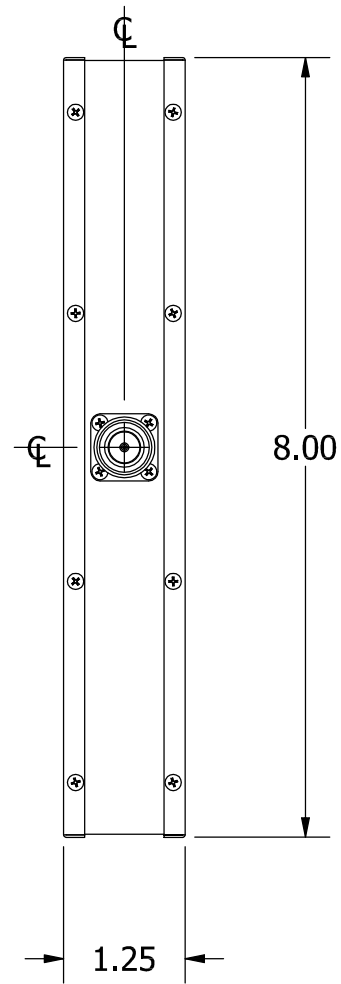
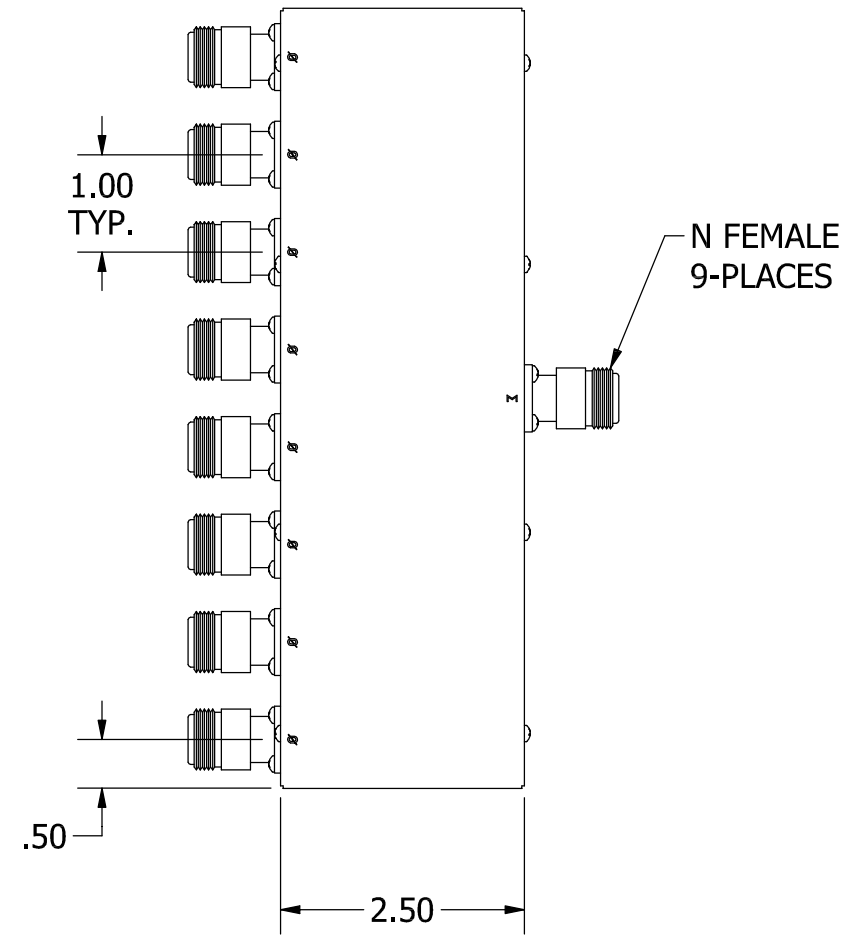
| | |
|--------------------------------------|---|
| Frequency Range | 950-2150 MHz |
| Impedance | 75 Ohms nominal |
| VSWR | 1.5:1 maximum |
| Insertion Loss (above 9 dB split) | 1.3 dB maximum |
| Amplitude Tracking | ± 0.6 dB |
| Phase Tracking | ± 5° |
| Isolation | 20 dB minimum |
| RF Input Power | 5 Watts average (divider) 0.3 Watts average (combiner ports) |
| Operating Temperature Range | -40°C to +85°C |
| RF Connector | BNC, N, or F female |
| Physical Size | See outline drawing 092-3871 (N) 092-6190 (F) |

| ECR/ECN # | DATE | REV | APPR / DATE | ECR/ECN # | DATE | REV | APPR / DATE |
|-----------|------------|-----|----------------|-----------|------|-----|-------------|
| | 10/01/2002 | | SL 10/01/2002 | | | | |
| 13369 | 09/14/2006 | A | TRS 09/14/2006 | | | | |
| 20510 | 08/30/2011 | B | TRS 08/30/2011 | | | | |



| REV | ECN | DATE | BY | APPR |
|-----|--------|---------|----|------|
| - | ISSUED | 5-21-09 | BZ | TEZ |
| A | 24444 | 9-17-19 | GM | TEZ |
| | | | | |
| | | | | |
| | | | | |
| | | | | |
| | | | | |
| | | | | |
| | | | | |

| | | | |
|---|---|--|--|
|  | JFW INDUSTRIES, INC. www.jfwindustries.com | | PH: 317-887-1340 |
| | MATERIAL BRASS | | PROPRIETARY INFORMATION |
| FINISH NICKEL | | ALL SURFACES ARE TO BE FREE OF BURRS, PITS & SCRATCHES | |
| MODEL 75PD-XXX | | SCALE 5/8 | TOLERANCES .XX±.010 .XXX±.005 XX°±.5° |
| DESCRIPTION 8 WAY POWER DIVIDER | | | DWG # 092-6190 |



| REV | ECN | DATE | BY | APPR |
|-----|--------|---------|----|------|
| - | ISSUED | 1-31-02 | MH | TEZ |
| A | 7533 | 7-24-03 | BZ | TEZ |
| B | 20542 | 9-6-11 | JZ | TEZ |
| C | 24444 | 10-9-15 | JZ | TEZ |



JFW INDUSTRIES, INC.

www.jfwindustries.com

PH: 317-887-1340

| | | |
|-------------|--------------------------------|--|
| MATERIAL | BRASS | PROPRIETARY INFORMATION |
| FINISH | NICKEL | ALL SURFACES ARE TO BE FREE OF BURRS, PITS & SCRATCHES |
| MODEL | 50PD-XXX & 75PD-XXX | TOLERANCES .XX±.010 .XXX±.005 XX°±.5° |
| DESCRIPTION | 8 WAY POWER DIVIDER / COMBINER | DWG # |
| | | 092-3871 |