

SPECIFICATION SHEET

JFW MODEL 75R-056

ROTARY ATTENUATOR

JFW Industries, Inc.
Phone: 317-887-1340
sales@jfwindustries.com
www.jfwindustries.com

Frequency Range DC-1000 MHz

Impedance 75 Ohms nominal

Attenuation Range 0-10 dB in 1 dB steps

VSWR 1.3:1 maximum DC-500 MHz
1.5:1 maximum 500-1000 MHz

Insertion Loss 0.4 dB maximum

Attenuation Accuracy ± 0.2 dB DC-500 MHz
± 0.3 dB 500-1000 MHz

RF Input Power 1 Watt average
1000 Watts peak

Direction of Rotation Attenuation increases in a Counter-
Clockwise direction

Indexing 30 degrees with stops at minimum and
maximum

RF Connector BNC or F female

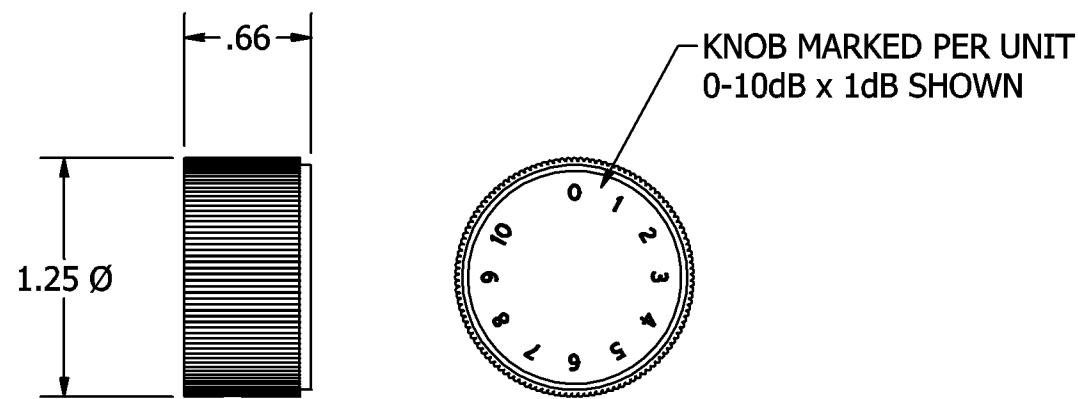
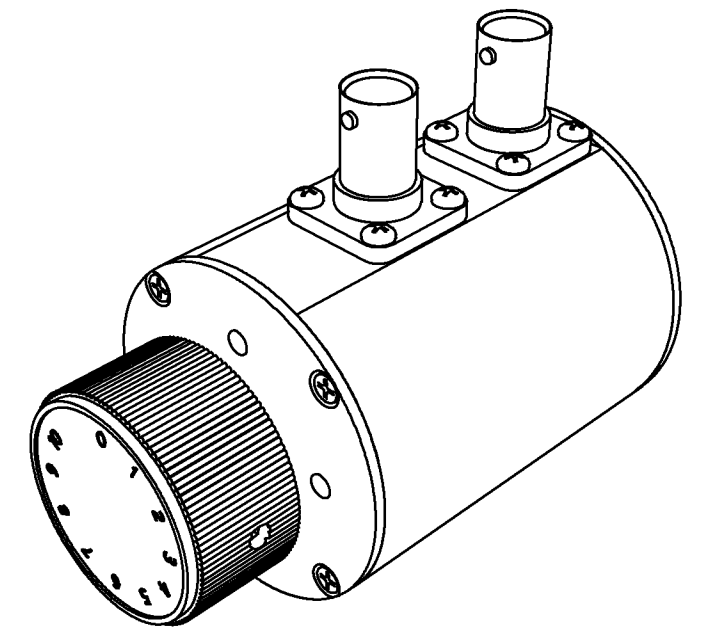
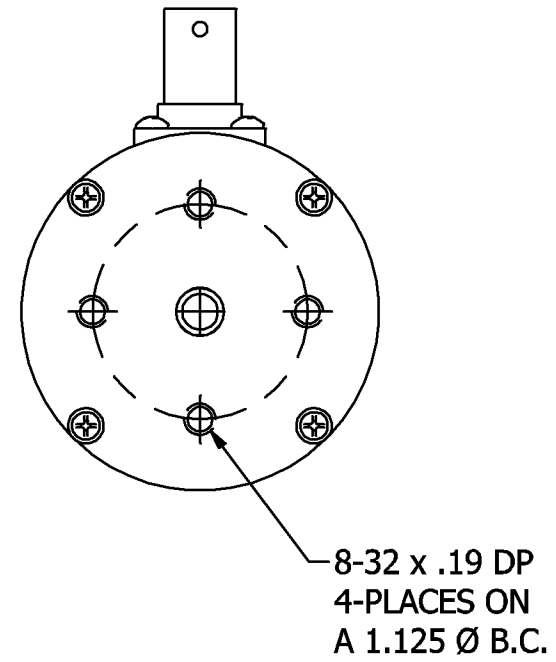
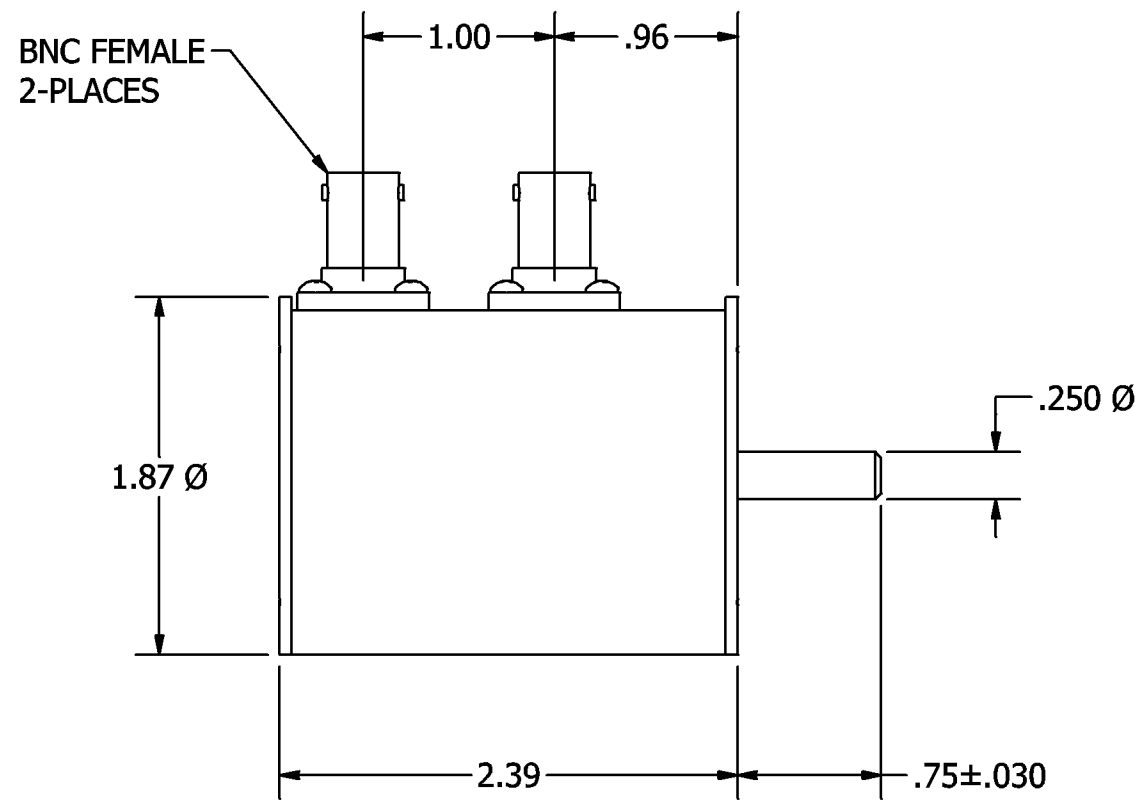
Operating Temperature Range -20°C to +85°C

Lifetime 500,000 attenuation steps

Knob/Panel Mounting Drawing 092-8435-03

Outline Drawings 092-002-01 (75R-056 BNC)
092-002-02 (75R-056 F)
092-002-03 (75R-056 BNC/F)

ECR/ECN #	DATE	REV	APPR / DATE	ECR/ECN #	DATE	REV	APPR / DATE
	02/01/1995			23479	11/26/2013	C	TRS 11/27/2013
9999	05/19/2003	A	BAC 02/05/2004	25779	09/29/2015	D	TRS 09/29/2015
17378	07/02/2009	B	TRS 07/02/2009	28157	10/05/2017	E	TRS 10/05/2017



KNOB DETAIL

REV	ECN	DATE	BY	APPR
-	ISSUED	6-8-09	BZ	TRS
A	24444	11-20-15	JZ	TEZ
B	30350	4-27-20	GM	JZ

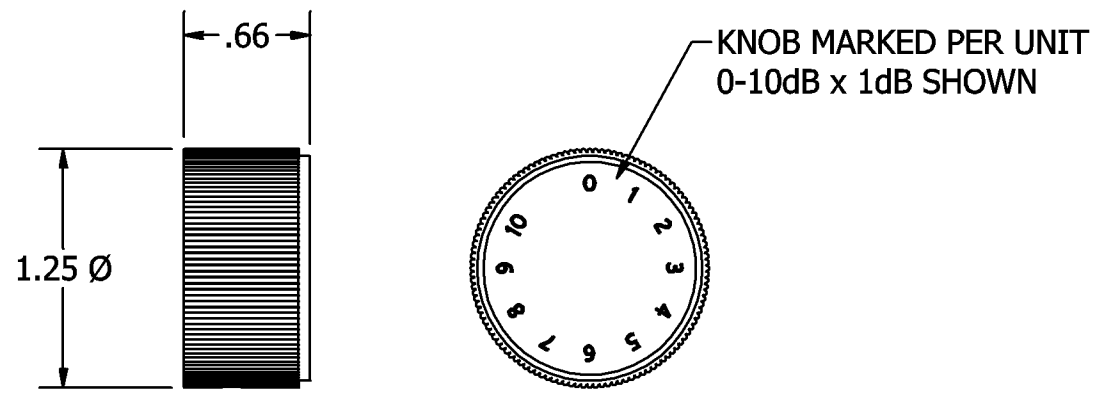
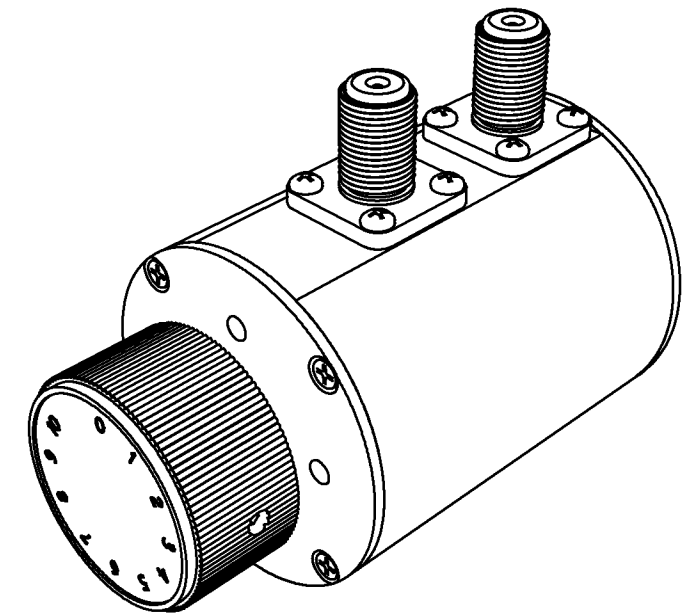
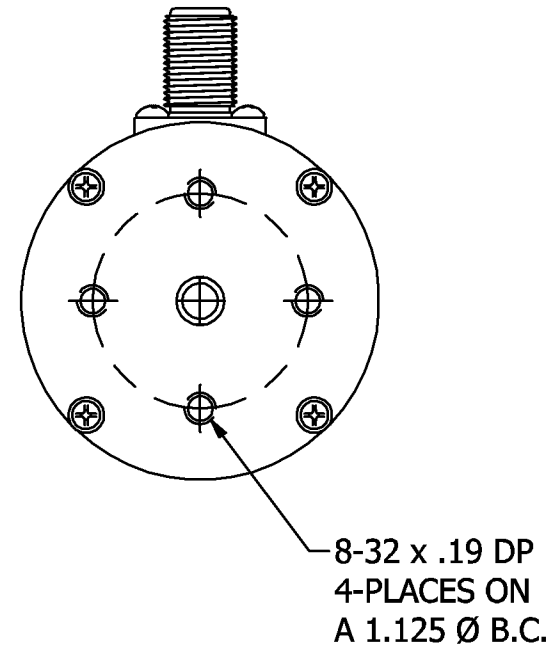
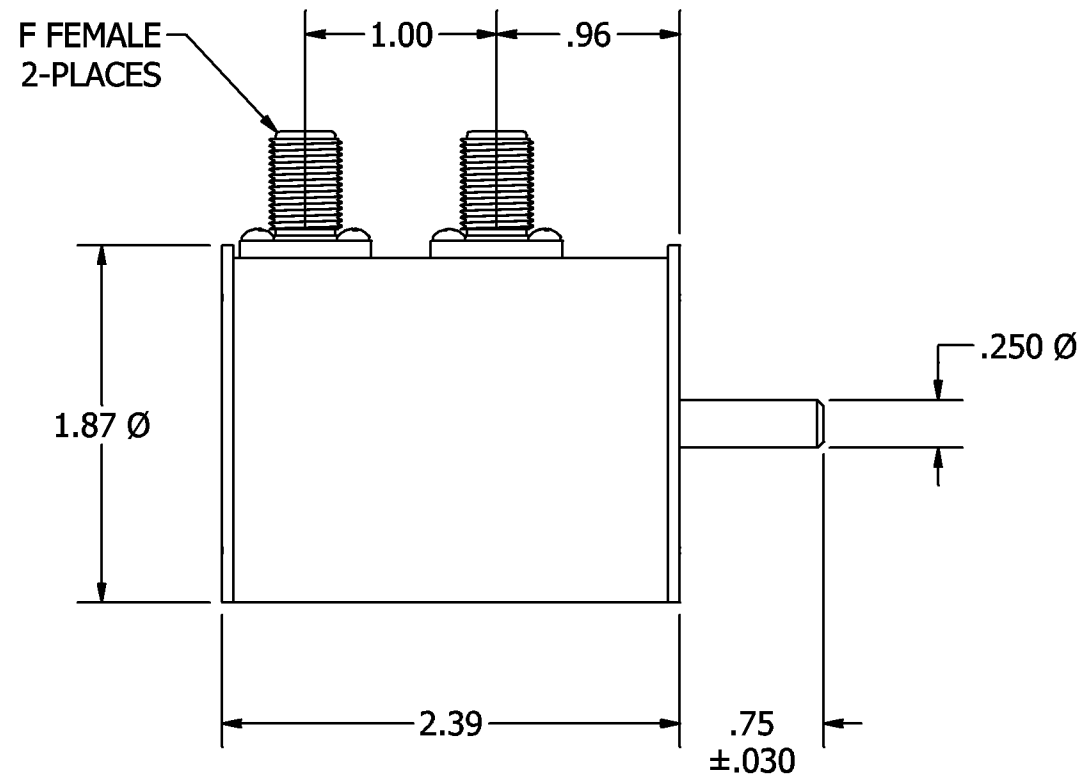


JFW INDUSTRIES, INC.

www.jfwindustries.com

PH: 317-887-1340

MATERIAL	ALUMINUM ALLOY	PROPRIETARY INFORMATION
FINISH	CHEMFILM TCP	ALL SURFACES ARE TO BE FREE OF BURRS, PITS & SCRATCHES
MODEL	75R-XXX	TOLERANCES .XX±.010 .XXX±.005 XX°±.5°
DESCRIPTION	ROTARY ATTENUATOR	DWG #
		092-002-01



KNOB DETAIL

REV	ECN	DATE	BY	APPR
-	ISSUED	6-8-09	BZ	TRS
A	24444	11-20-15	JZ	TRS
B	30350	4-27-20	GM	JZ



JFW INDUSTRIES, INC.

www.jfwindustries.com

PH: 317-887-1340

MATERIAL	ALUMINUM ALLOY	PROPRIETARY INFORMATION
FINISH	CHEMFILM TCP	ALL SURFACES ARE TO BE FREE OF BURRS, PITS & SCRATCHES
MODEL	75R-XXX	TOLERANCES .XX±.010 .XXX±.005 XX°±.5°
DESCRIPTION	ROTARY ATTENUATOR	DWG #
		092-002-02

