

**SPECIFICATION SHEET**

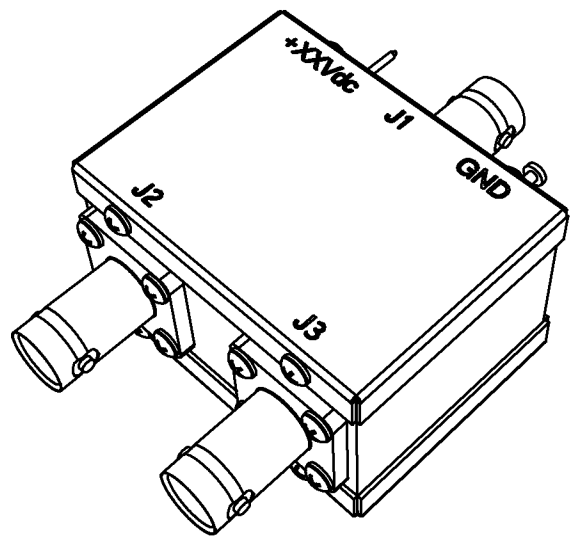
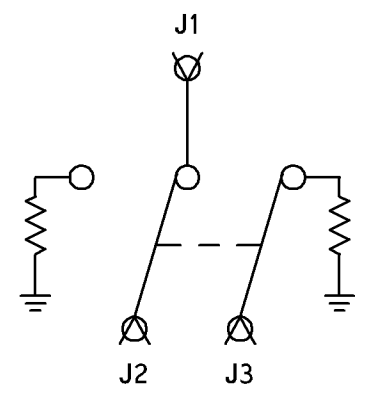
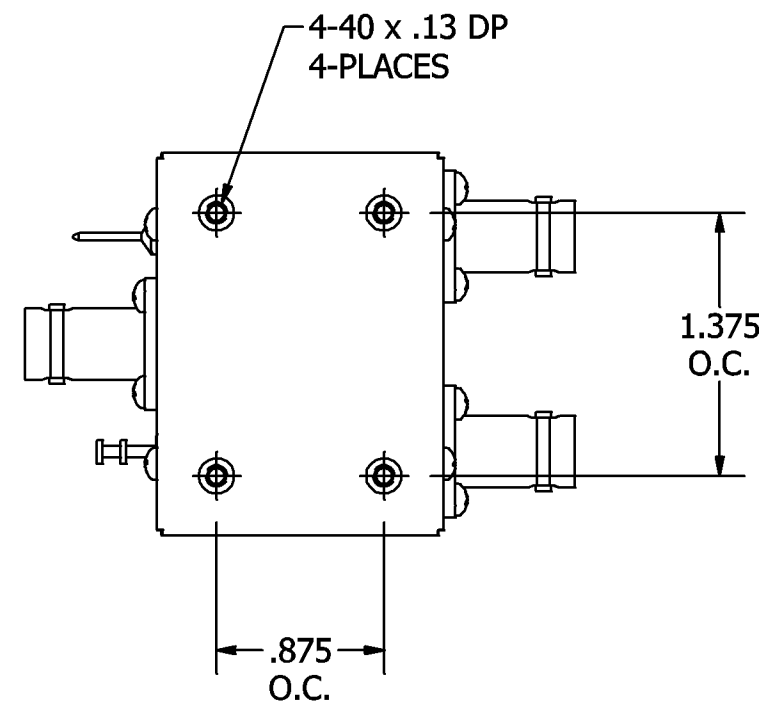
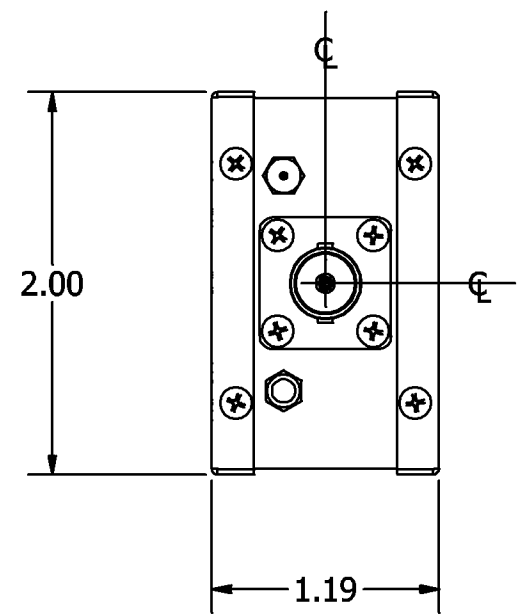
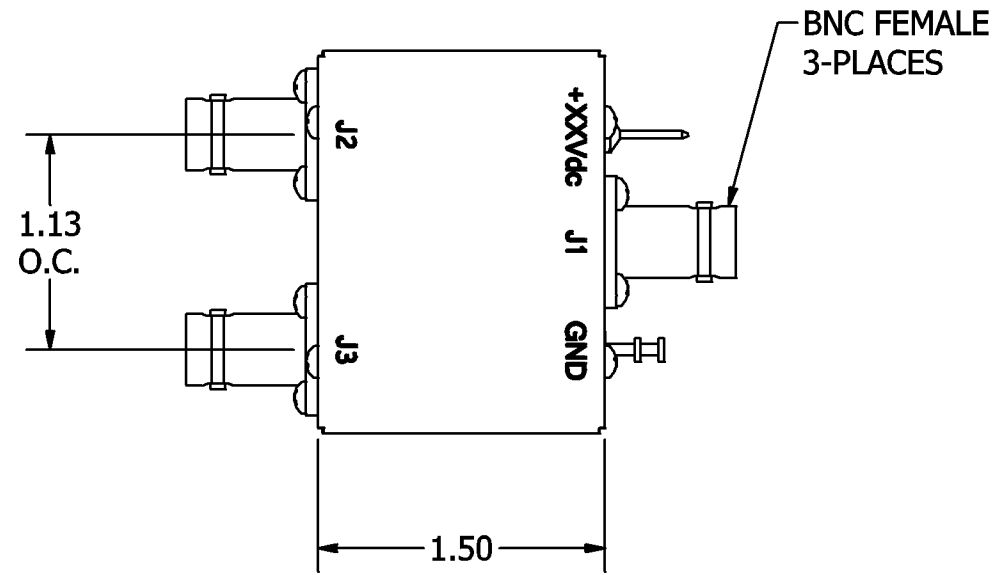
**JFW MODEL 75S-111**

**1P2T FAILSAFE SELF TERMINATING ELECTROMECHANICAL  
RF SWITCH**


JFW Industries, Inc.  
Phone: 317-887-1340  
sales@jfwindustries.com  
www.jfwindustries.com

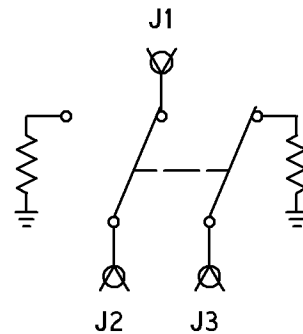
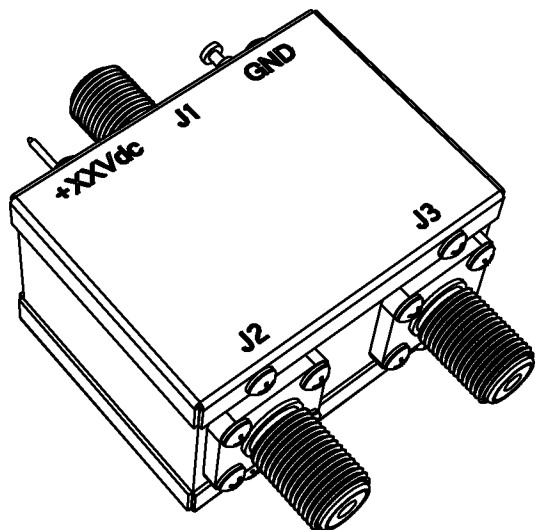
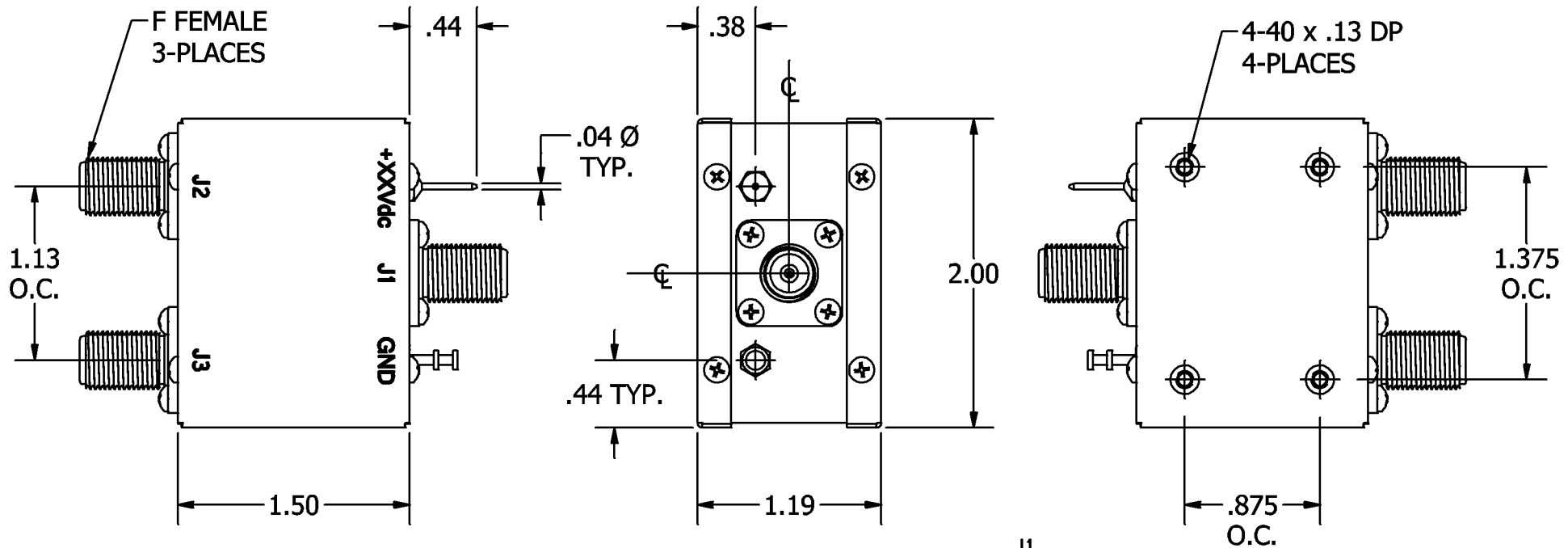
Frequency Range	DC-2150 MHz
Configuration	1P2T Failsafe Self Terminating (failsafe J1 to J2)
Impedance	75 Ohms nominal
VSWR	1.3:1 maximum to 1000 MHz 1.5:1 maximum to 2150 MHz
Insertion Loss	0.75 dB maximum to 1000 MHz 1.0 dB maximum to 2150 MHz
Isolation	50 dB minimum to 1000 MHz 45 dB minimum to 2150 MHz
Switching Speed	10 milliseconds maximum
RF Input Power	+20 dBm
Control	+12Vdc @ 90 mA maximum (Acceptable range +10 to +15 Vdc)
DC Connector	Solder terminals
RF Connector	F, BNC or TNC female
Physical Size	See outline drawing 092-1254 (BNC) 092-4860 (F)

ECR/ECN #	DATE	REV	APPR / DATE	ECR/ECN #	DATE	REV	APPR / DATE
	10/26/1998			9999	04/08/2003	C	BAC 04/06/2005
2002	11/03/1998	A		10969	04/06/2005	D	BAC 04/06/2005
2646	03/29/2001	B		11516	07/20/2005	E	BAC 07/20/2005



SHOWN WITH NO POWER APPLIED

REV	ECN	DATE	BY	APPR	 <b>JFW INDUSTRIES, INC.</b> <a href="http://www.jfwindustries.com">www.jfwindustries.com</a> PH: 317-887-1340	
-	ISSUED	1-9-89	PT	FDW	MATERIAL BRASS PROPRIETARY INFORMATION	
A	5780	8-25-98	CDJ	FDW	ALL SURFACES ARE TO BE FREE OF BURRS, PITS & SCRATCHES	
B	5812	9-24-98	CDJ	PT	TOLERANCES .XX±.010 .XXX±.005 XX°±.5°	
C	6286	6-2-00	CMB	PT	DWG #	
D	6989	1-28-02	CMB	TEZ	FINISH NICKEL	
E	24444	12-17-15	JZ	TEZ	MODEL 75S-XXX SCALE FULL	
F	30349	4-27-20	JZ	JZ	DESCRIPTION 1P2T COAX. SWITCH	
					092-1254	



SHOWN WITH NO POWER APPLIED

REV	ECN	DATE	BY	APPR
-	ISSUED	7-11-05	LT	TEZ
A	24444	12-21-15	JZ	TEZ
B	4860	4-28-20	GM	JZ



**JFW INDUSTRIES, INC.**

[www.jfwindustries.com](http://www.jfwindustries.com)

PH: 317-887-1340

MATERIAL	BRASS	PROPRIETARY INFORMATION
FINISH	NICKEL	ALL SURFACES ARE TO BE FREE OF BURRS, PITS & SCRATCHES
MODEL	75S-XXX	SCALE FULL
DESCRIPTION	1P2T COAX. SWITCH	TOLERANCES .XX±.010 .XXX±.005 XX°±.5° DWG #
		092-4860