

**SPECIFICATION SHEET**

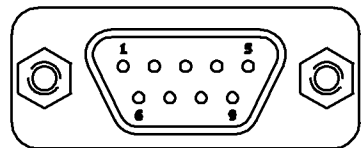
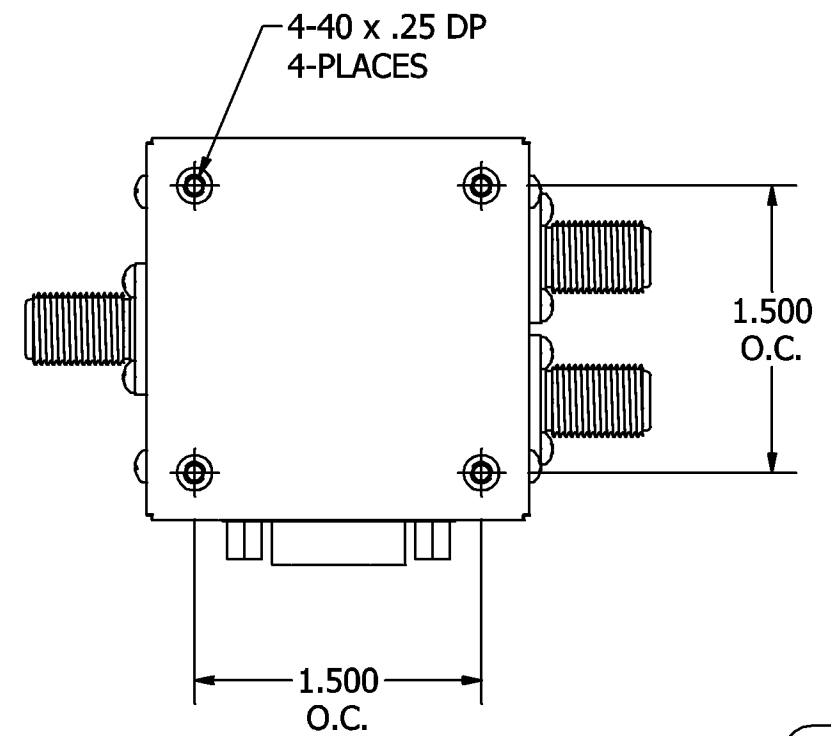
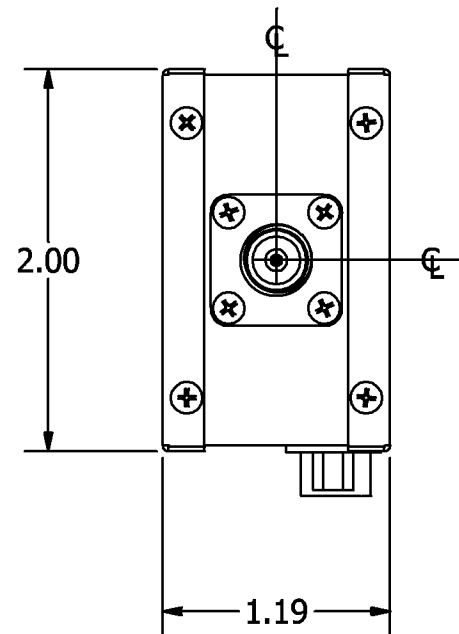
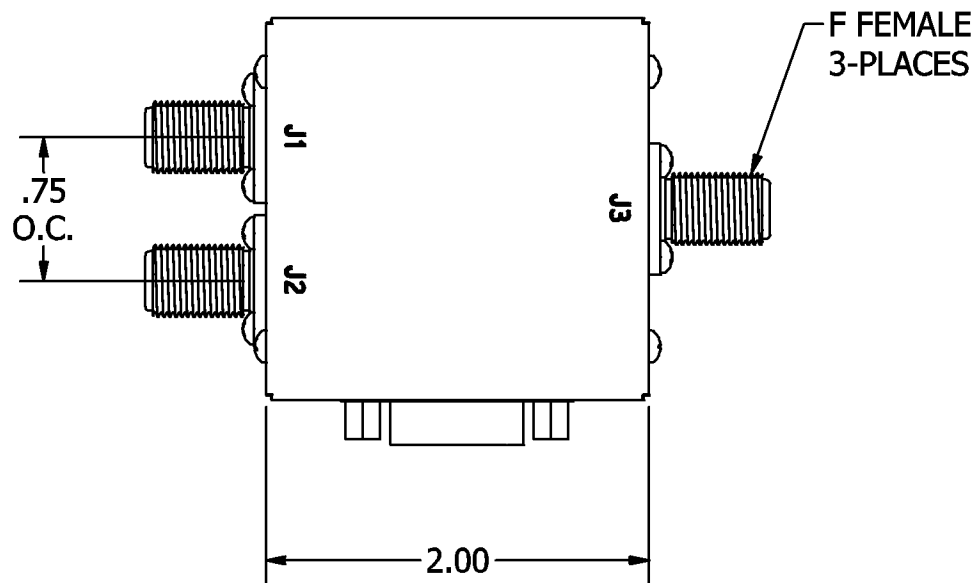
**JFW MODEL 75S-365**

**1P2T SELF TERMINATING SOLID STATE RF SWITCH**

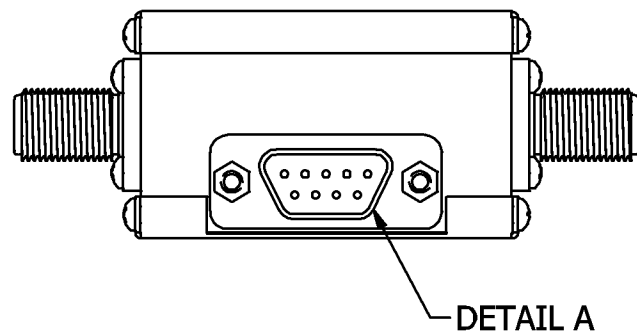
JFW Industries, Inc.  
Phone: 317-887-1340  
sales@jfwindustries.com  
www.jfwindustries.com

Frequency Range	5-2150 MHz
Configuration	1P2T Self Terminating
Impedance	75 Ohms nominal
VSWR	1.25:1 typical 1.40:1 maximum
Insertion Loss	1.5 dB typical 2.5 dB maximum
Isolation	80 dB typical 70 dB minimum
Switching Speed	10 microseconds (50% TTL to 10% or 90% RF)
RF Input Power	+10 dBm 5-100MHz +20 dBm 100-2150MHz
Control Logic (2 Lines)	TTL "High" (2.0-5.0V) for ON TTL "Low" (0-0.8V) for OFF and internally terminated in 75 Ohms  (Only one line High at a time) (Both lines can be low for both ports off)
DC Supply	+12 Vdc @ 150 mA nominal
DC Connector	DE-9P
RF Connector	F female
Operating Temperature Range	0° C to +70° C
Storage Temperature	-55° C to +90° C
Physical Size	See outline drawing 092-6903

ECR/ECN #	DATE	REV	APPR / DATE	ECR/ECN #	DATE	REV	APPR / DATE
	09/08/2014		BAC 09/08/2014				
24978	02/23/2015	A	BAC 02/23/2015				

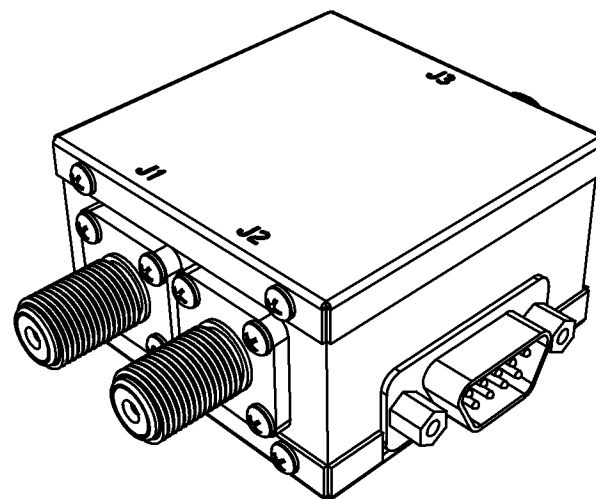


DETAIL A  
DE-9P



PIN	FUNCTION
1	TTL CONTROL 1
2	TTL CONTROL 2
3	NO CONNECTION
4	NO CONNECTION
5	NO CONNECTION
6	NO CONNECTION
7	NO CONNECTION
8	+12 Vdc
9	GROUND

J3 TO:	C1	C2
OFF	0	0
J1	1	0
J2	0	1



REV	ECN	DATE	BY	APPR
-	ISSUED	3-22-11	TEZ	BAC
A	24444	2-1-16	JZ	TEZ



**JFW INDUSTRIES, INC.**

www.jfwindustries.com

PH: 317-887-1340

MATERIAL	BRASS	PROPRIETARY INFORMATION
FINISH	NICKEL	ALL SURFACES ARE TO BE FREE OF BURRS, PITS & SCRATCHES
MODEL	75S-XXX	TOLERANCES .XX±.010 .XXX±.005 XX°±.5°
DESCRIPTION	1P2T SWITCH	DWG # 092-6903
		SCALE FULL