

SPECIFICATION SHEET

JFW MODEL 75S-366

1P4T SELF TERMINATING SOLID STATE RF SWITCH

JFW Industries, Inc.
Phone: 317-887-1340
sales@jfwindustries.com
www.jfwindustries.com

Frequency Range 5-2150 MHz

Configuration 1P4T Self Terminating

Impedance 75 Ohms nominal

VSWR 1.3:1 typical
1.4:1 maximum

Insertion Loss 2.0 dB typical
2.5 dB maximum

Isolation 80 dB typical
70 dB minimum

Switching Speed 10 microseconds (50% TTL to 10% or 90% RF)

RF Input Power +10 dBm 5-100MHz
+20 dBm 100-2150MHz

Control Logic (4 Lines) TTL "High" (2.0-5.0V) for ON
TTL "Low" (0-0.8V) for OFF and internally
terminated in 75 Ohms

(Only 1 line High at a time)
(All lines can be low for all ports off)

DC Supply +12 Vdc @ 200 mA nominal

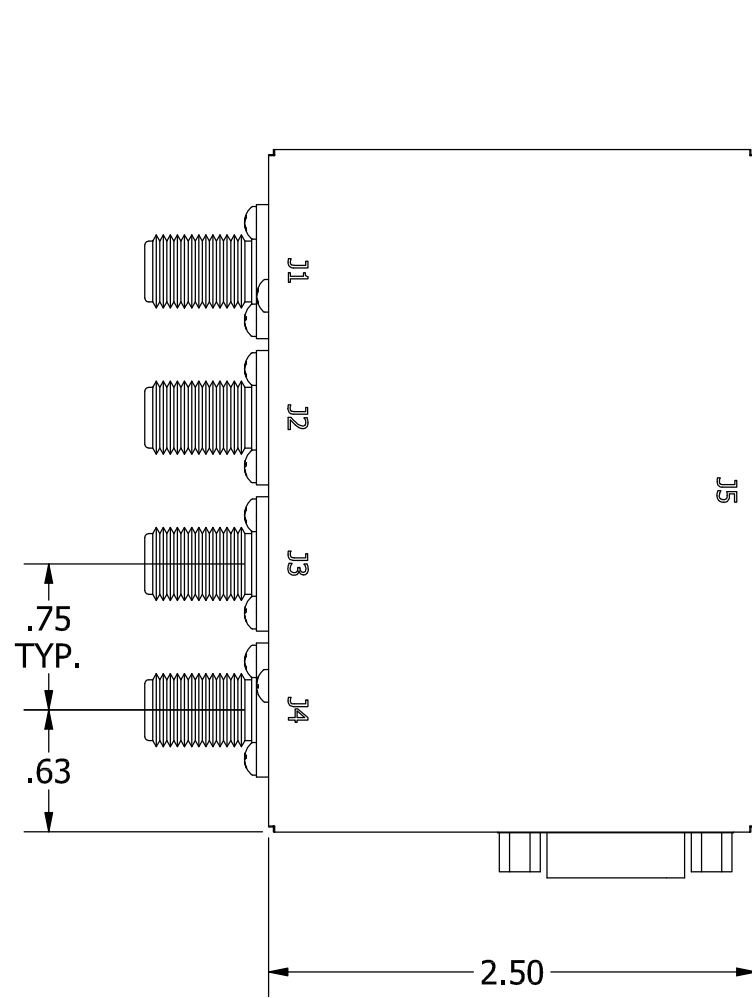
RF Connector F female

Operating Temperature Range 0°C to +70°C

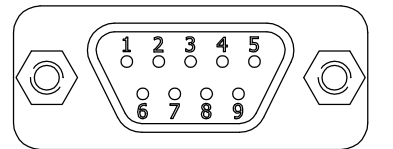
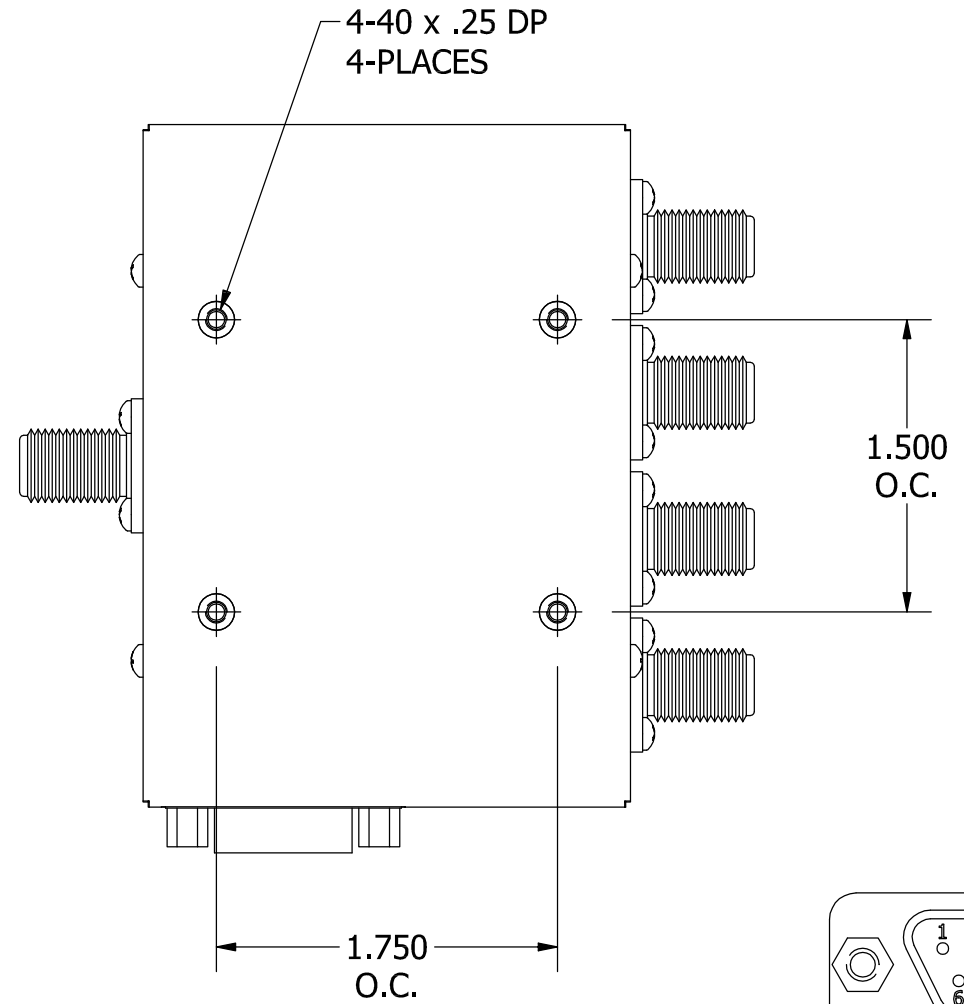
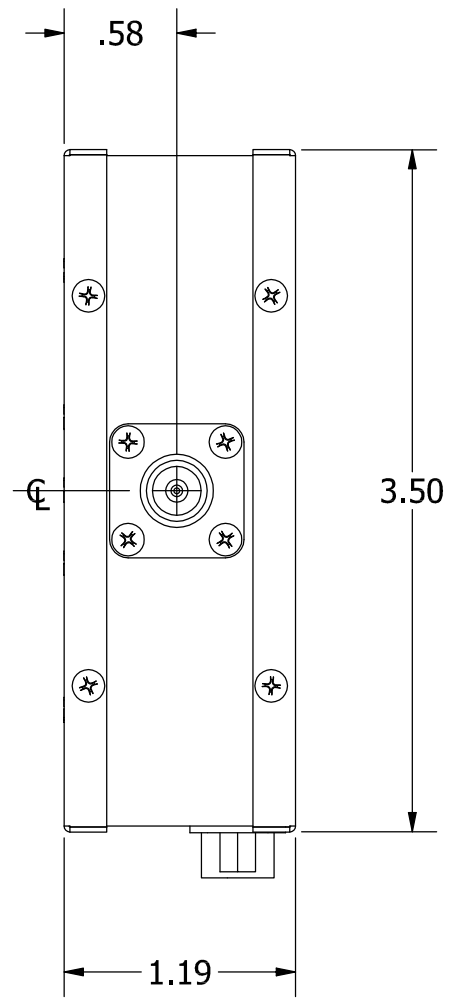
Storage Temperature Range -55°C to +90°C

Physical Size See outline drawing 092-6904

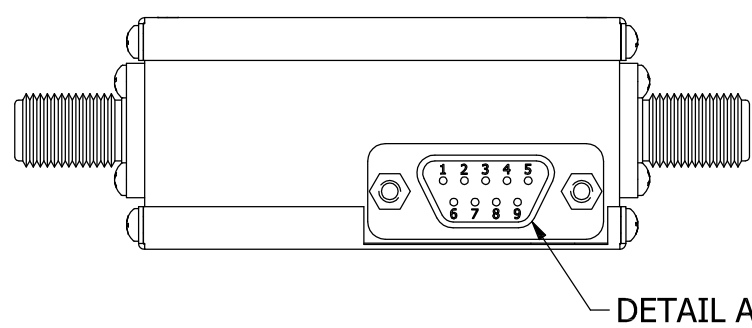
ECR/ECN #	DATE	REV	APPR / DATE	ECR/ECN #	DATE	REV	APPR / DATE
	09/08/2014		BAC 09/08/2014				
24978	02/23/2015	A	BAC 02/23/2015				



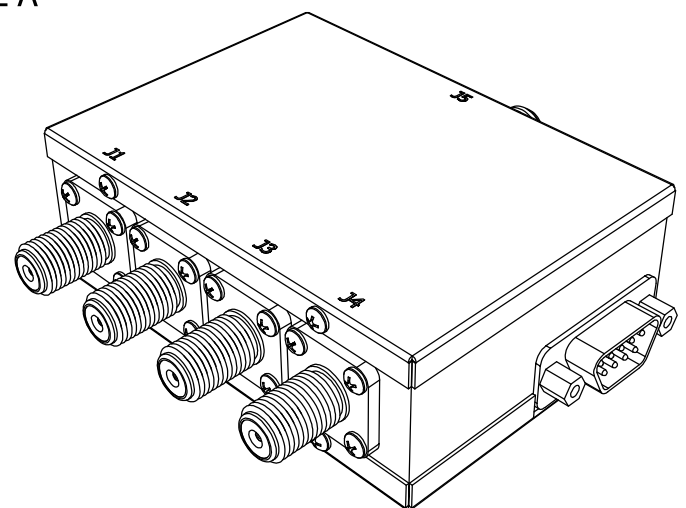
F FEMALE
5-PLACES



DETAIL A
DE-9P



DETAIL A



J5 TO:	C1	C2	C3	C4
ALL OFF	0	0	0	0
J1	1	0	0	0
J2	0	1	0	0
J3	0	0	1	0
J4	0	0	0	1

PIN	FUNCTION
1	TTL CONT. 1
2	TTL CONT. 2
3	TTL CONT. 3
4	TTL CONT. 4
5	NO CONNECTION
6	NO CONNECTION
7	NO CONNECTION
8	+Vdc
9	GROUND

REV	ECN	DATE	BY	APPR
-	ISSUED	3-22-11	TEZ	BAC
A	24444	2-2-16	JZ	TEZ



JFW INDUSTRIES, INC.

www.jfwindustries.com

PH: 317-887-1340

MATERIAL	BRASS	PROPRIETARY INFORMATION
FINISH	NICKEL	ALL SURFACES ARE TO BE FREE OF BURRS, PITS & SCRATCHES
MODEL	75S-XXX	TOLERANCES .XX±.010 .XXX±.005 XX°±.5°
DESCRIPTION	1P4T SWITCH	DWG # 092-6904