

**SPECIFICATION SHEET**

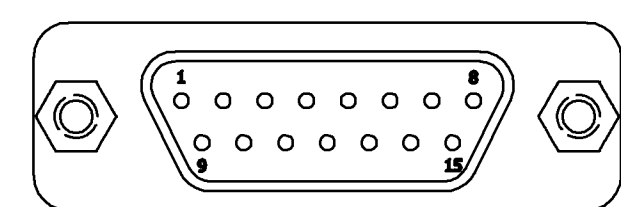
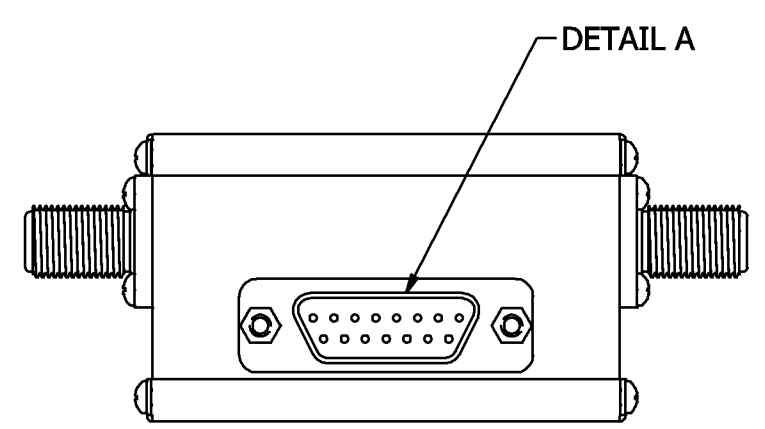
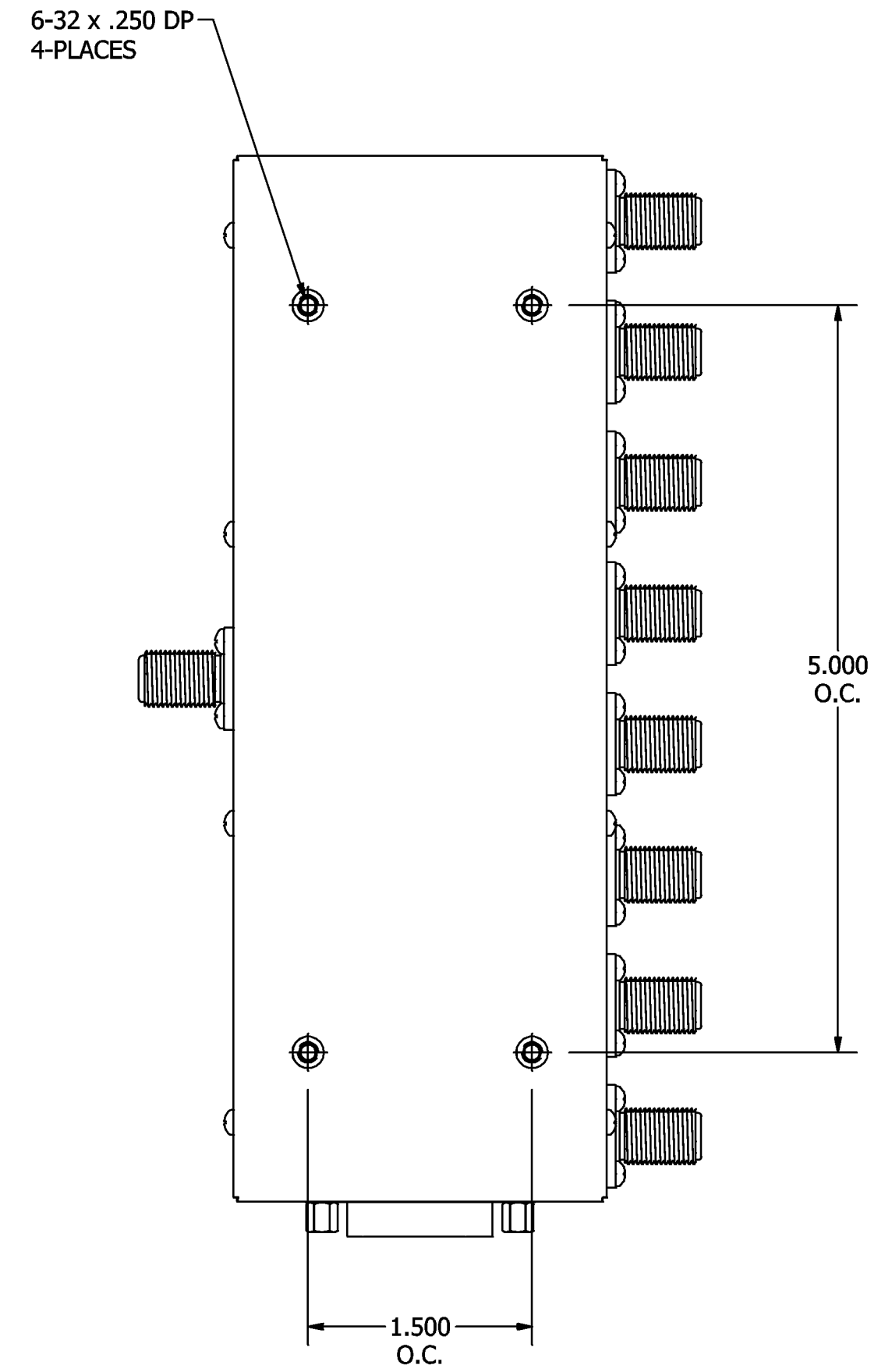
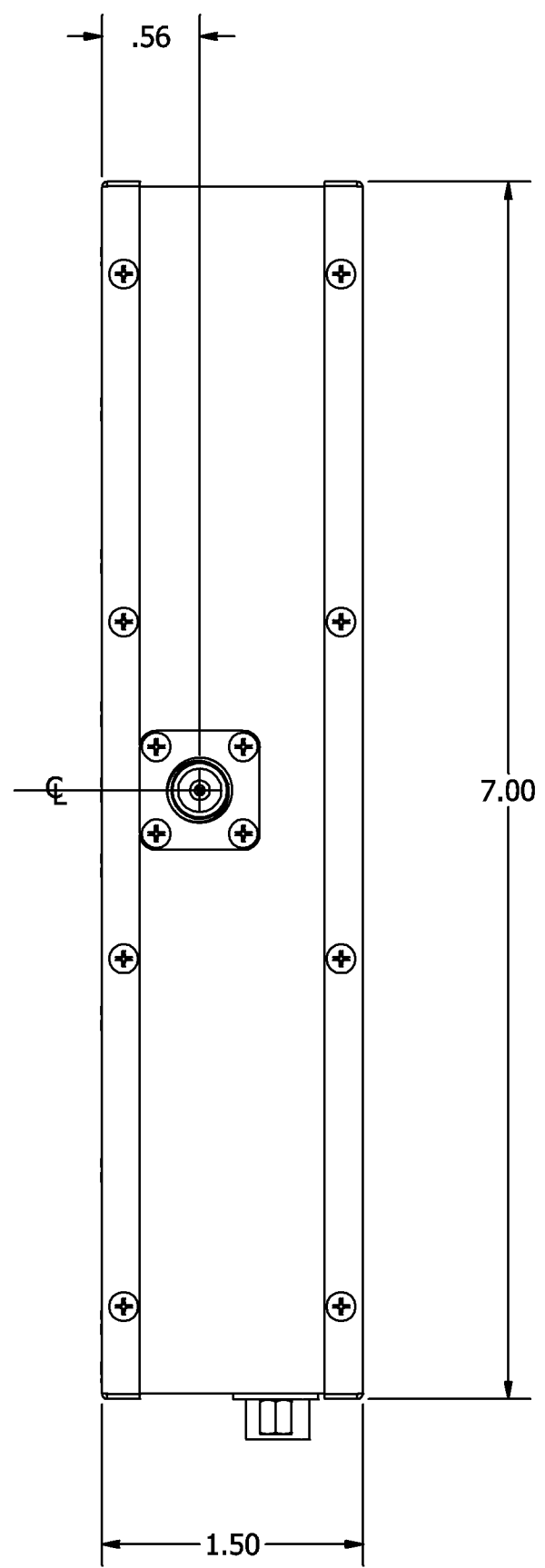
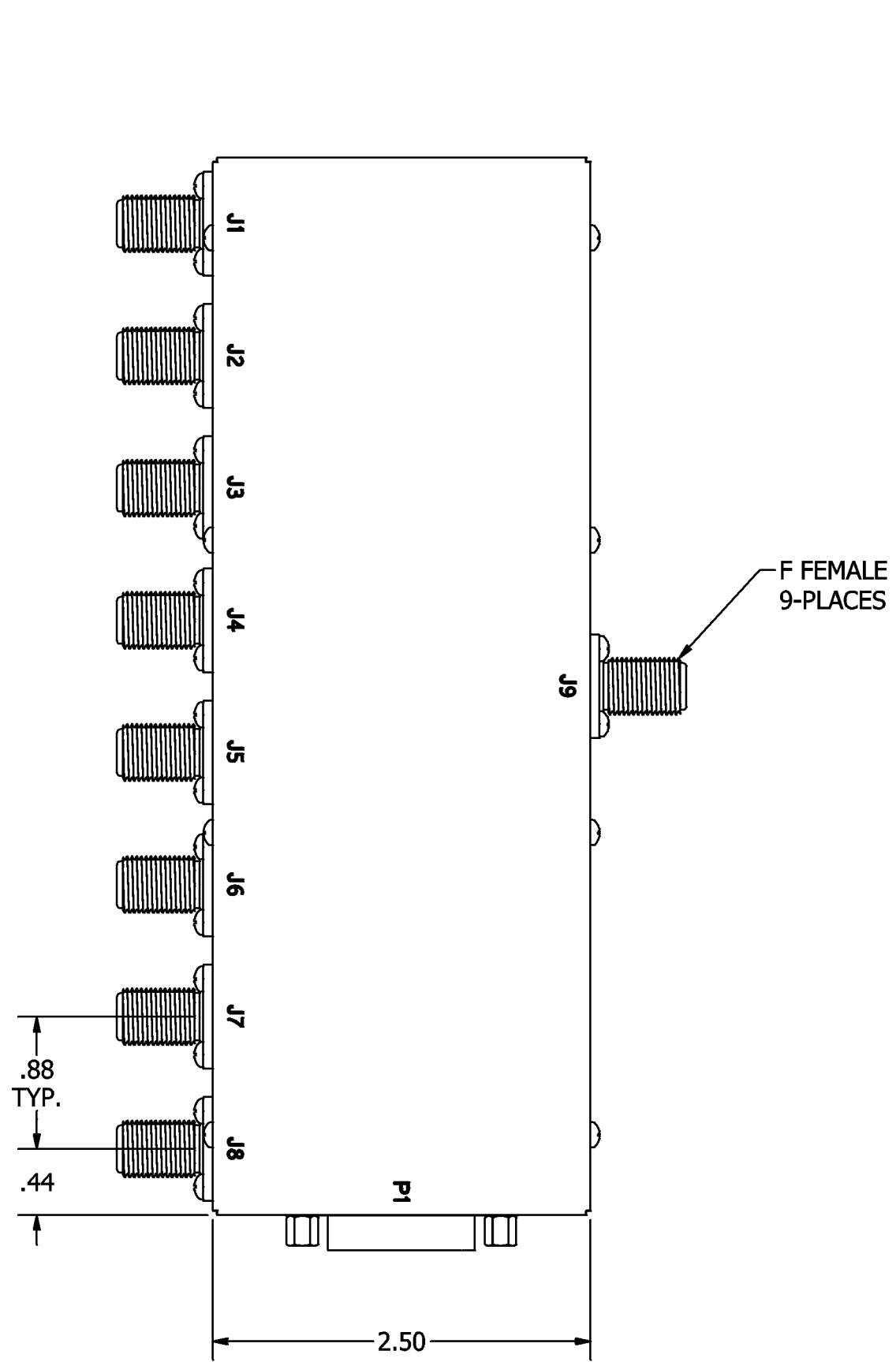
**JFW MODEL 75S-371**

**1P8T SELF TERMINATING SOLID STATE RF SWITCH**

JFW Industries, Inc.  
Phone: 317-887-1340  
sales@jfwindustries.com  
www.jfwindustries.com

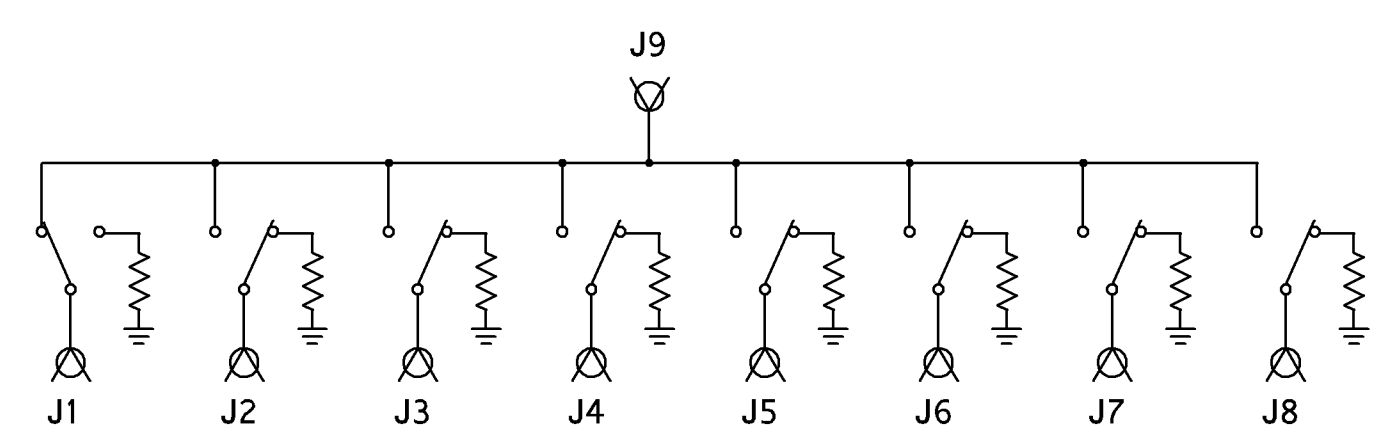
Frequency Range	5-2150 MHz
Configuration	1P8T Self Terminating
Impedance	75 Ohms nominal
VSWR	1.3:1 typical 1.5:1 maximum
Insertion Loss	2.5 dB typical 5-1000MHz 3.0 dB typical 1000-2150MHz 3.5 dB maximum 5-2150MHz
Isolation	80 dB typical 5-1000MHz 70 dB typical 1000-2150MHz 60 dB minimum 5-2150MHz
Switching Speed	10 microseconds (50% TTL to 10% or 90% RF)
RF Input Power	+10 dBm average 5-100MHz +20 dBm average 100-2150MHz
Control Logic (8 Lines)	TTL "Low" (0-0.8V) for OFF and internally terminated in 75 Ohms  TTL "High" (2.0-5.0V) for ON [i.e. C1 High for J1-J9 (common)]
DC Supply	+12 Vdc @ 210 mA nominal
RF Connector	F female
Operating Temperature Range	0°C to +70°C
Storage Temperature Range	-55°C to +90°C
Physical Size	See outline drawing 092-6967

ECR/ECN #	DATE	REV	APPR / DATE	ECR/ECN #	DATE	REV	APPR / DATE
	02/20/2015		BAC 02/20/2015				

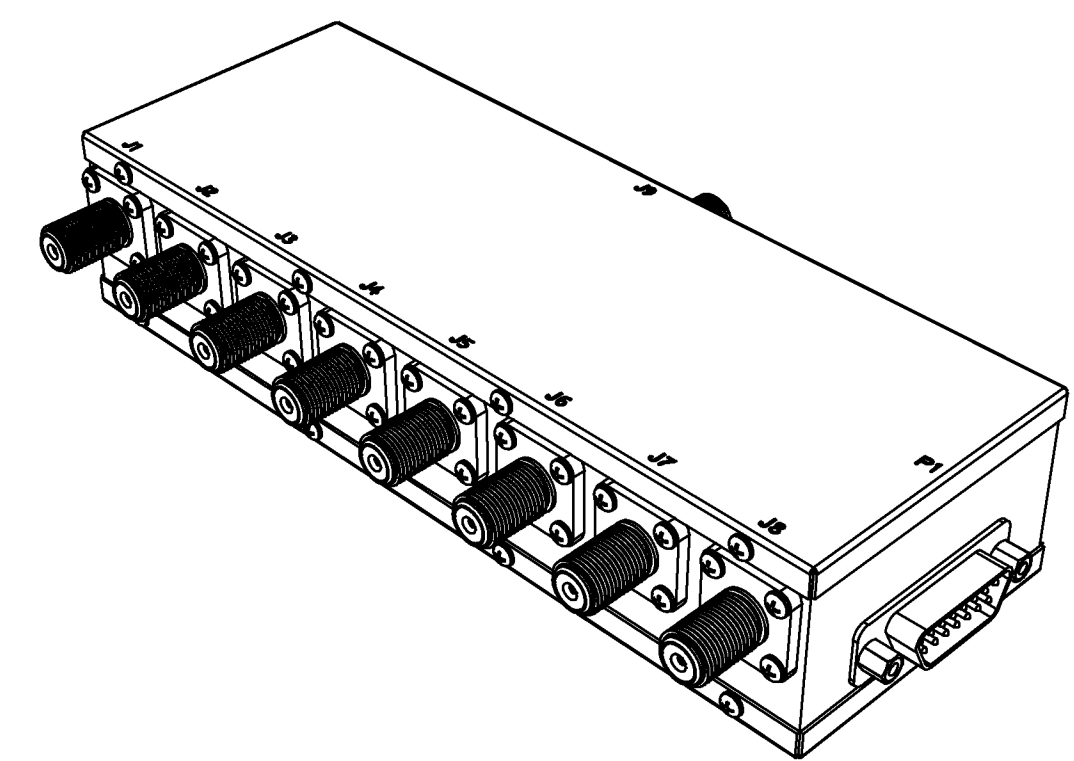


DETAIL A  
DA-15P

PIN	FUNCTION
1	CONTROL 1
2	CONTROL 2
3	CONTROL 3
4	CONTROL 4
5	CONTROL 5
6	CONTROL 6
7	CONTROL 7
8	CONTROL 8
9	NO CONN.
10	NO CONN.
11	NO CONN.
12	NO CONN.
13	NO CONN.
14	+12 Vdc
15	GROUND



SHOWN WITH CONTROL 1 TTL HIGH  
(ALL OTHER CONTROLS ARE TTL LOW)



REV	ECN	DATE	BY	APPR	<b>JFW INDUSTRIES, INC.</b> <a href="http://www.jfwindustries.com">www.jfwindustries.com</a> PH: 317-887-1340
-	ISSUED	5-6-11	DBC	BAC	
A	24444	9-18-19	GM	TEZ	MATERIAL BRASS FINISH NICKEL MODEL 75S-XXX SCALE FULL DESCRIPTION 1P8T COAX SWITCH
PROPRIETARY INFORMATION ALL SURFACES ARE TO BE FREE OF BURRS, PITS & SCRATCHES TOLERANCES .XX±.010 .XXX±.005 .XX*±.5° DWG# 092-6967					