

**SPECIFICATION SHEET**

**JFW MODEL 75SA-058**

**SWITCH ASSEMBLY**

JFW Industries, Inc.  
Phone: 317-887-1340  
sales@jfwindustries.com  
www.jfwindustries.com

Frequency Range 20-1000 MHz

Configuration 1P16T self-terminating solid-state RF switch

Enclosure Type 19 inch rack mount @ 1RU high

Startup/Default States (configurable) RF switch off at startup (see SWITCH command)  
DHCP enabled (see NET command)  
4 Ethernet users (see NET command)  
Prompts off (see PROMPT command)

Impedance 75 Ohms nominal

VSWR 1.6:1 maximum

Insertion Loss 2.5dB maximum

Isolation 55 dB minimum

RF Input Power +20 dBm

Switching Speed 50 microseconds  
(after command is received and processed)  
(3 milliseconds typical processing time)

Remote Control Ethernet (DHCP, TCP/IP, 10/100, up to 12 users)  
RS-232 (up to 115200 Baud)

Remote Commands RF Switch Control Commands:  
Switch, Set Switch, Read Switch

System Commands:  
Help, Identification, Store, Recall, Pause, Net,  
Serial, Close, Disconnect, MOTD, Date, Message,  
Restrict, IDENT, Name, Show Users, Reboot, Uptime,  
Prompt

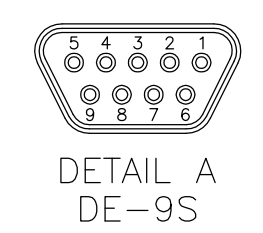
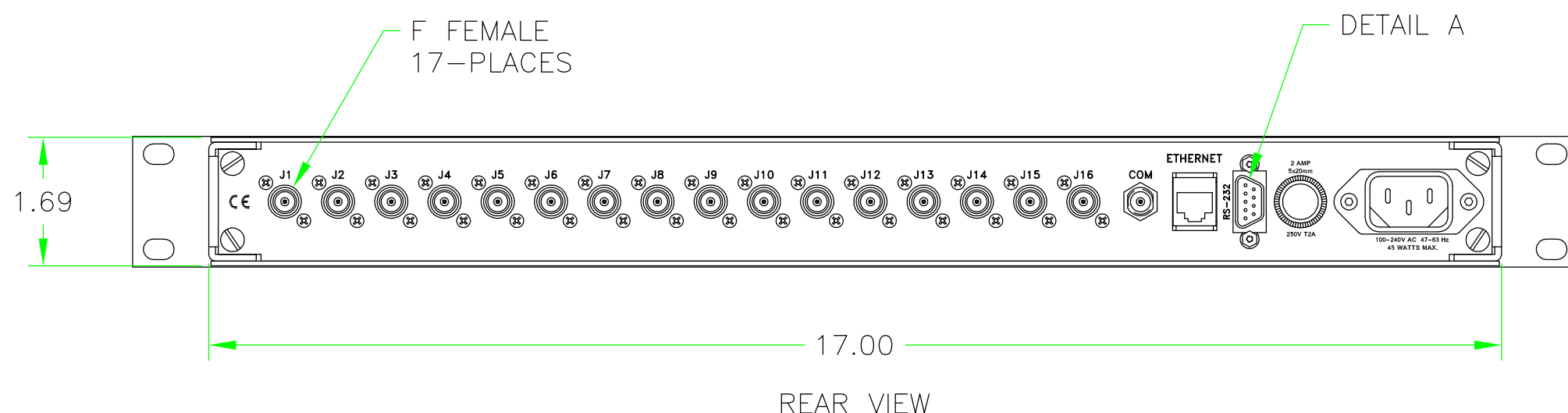
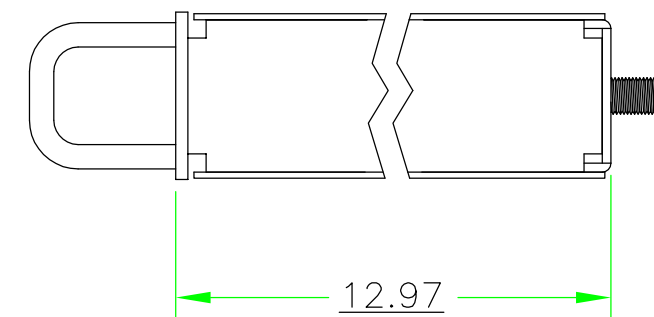
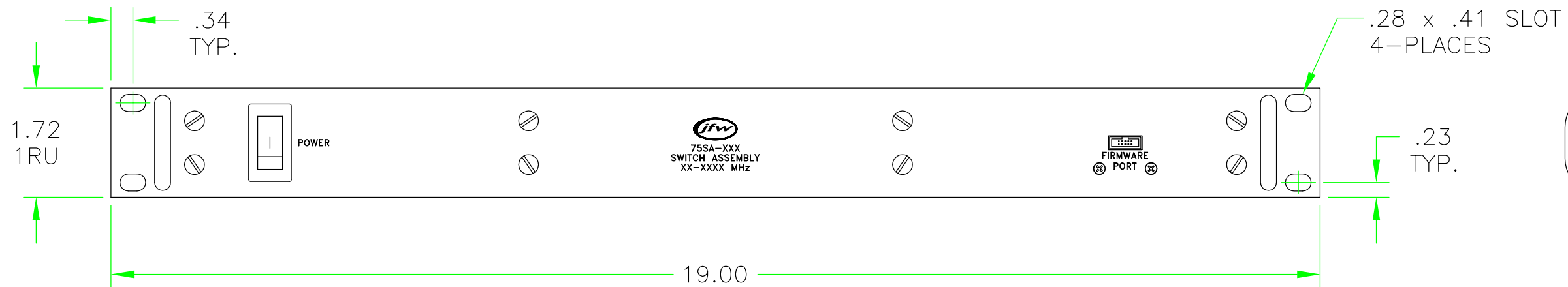
AC Supply 100-240 VAC @ 47-63 Hz  
2 Amp 5x20mm "Slo-Blo" AC fuse  
Littelfuse #215-002, JFW #025-021

RF Connector F female


Operating Temperature Range 0° to +50° C

Physical Size See outline drawing 092-6808

ECR/ECN #	DATE	REV	APPR / DATE	ECR/ECN #	DATE	REV	APPR / DATE
	12/03/2010		BAC 12/03/2010				
24759	12/03/2014	A	TRS 12/03/2014				



PIN	FUNCTION
1	CHASSIS GROUND
2	RECEIVED DATA
3	TRANSMITTED DATA
4	NO CONNECTION
5	SIGNAL GROUND
6	NO CONNECTION
7	RTS
8	CTS
9	NO CONNECTION

REV	ECN	DATE	BY	APPR	 <b>JFW INDUSTRIES, INC.</b> www.jfwindustries.com PH: 317-887-1340	
-	ISSUED	12-8-10	TEZ	BAC		
A	24759	12-3-14	DTS	TRS		
B	24846	1-22-15	JZ	BZ		
C	27131	10-4-16	DBC	BAC		
MATERIAL					ALUMINUM ALLOY	PROPRIETARY INFORMATION
FINISH					CHEMFILM TCP / FRONT: BLACK	ALL SURFACES ARE TO BE FREE OF BURRS, PITS, & SCRATCHES
MODEL					75S-XXX	TOLERANCES .XX±.010 .XXX±.005 XX'±.5'
DESCRIPTION					1P16T SWITCH ASSEMBLY	DWG # 092-6808