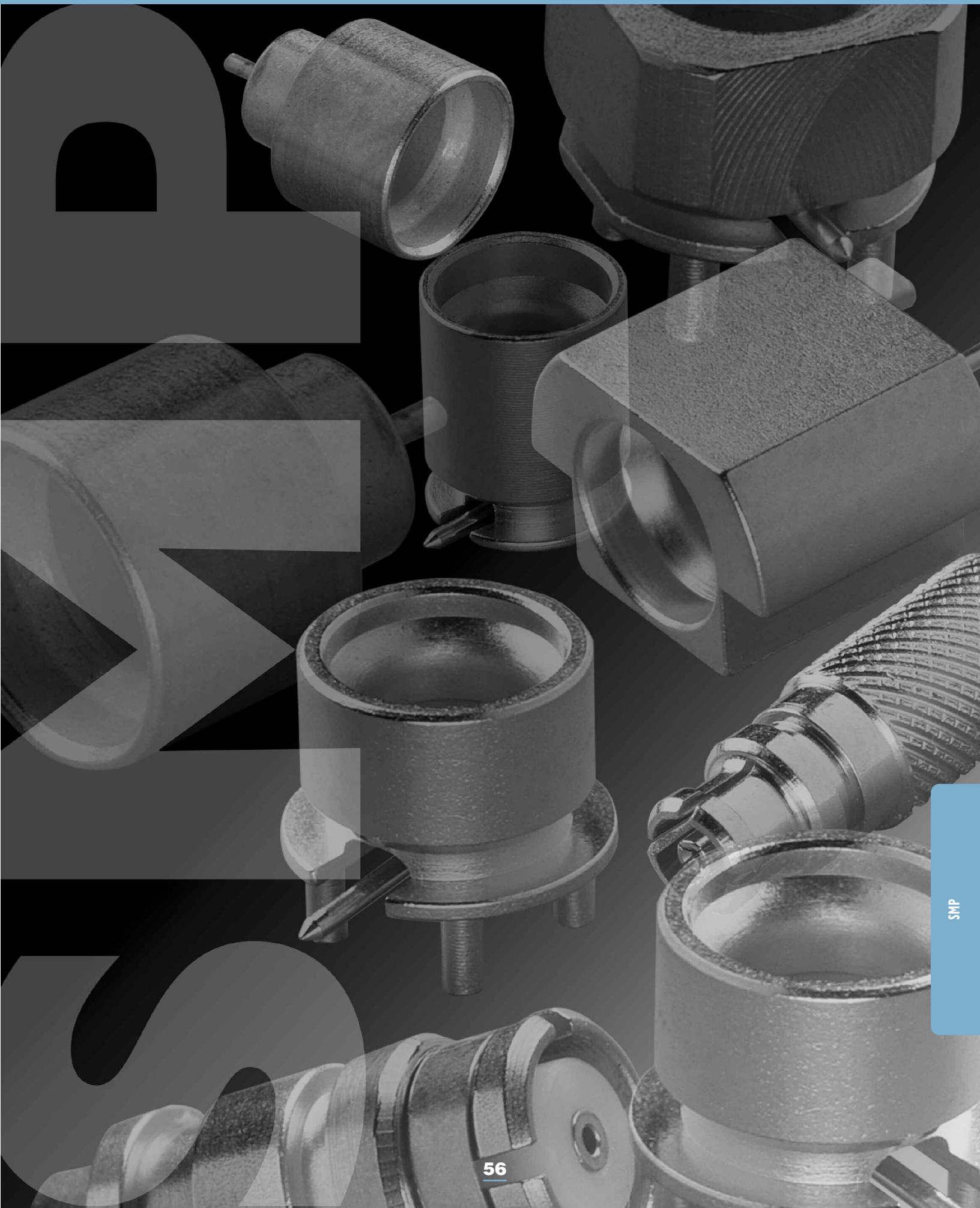
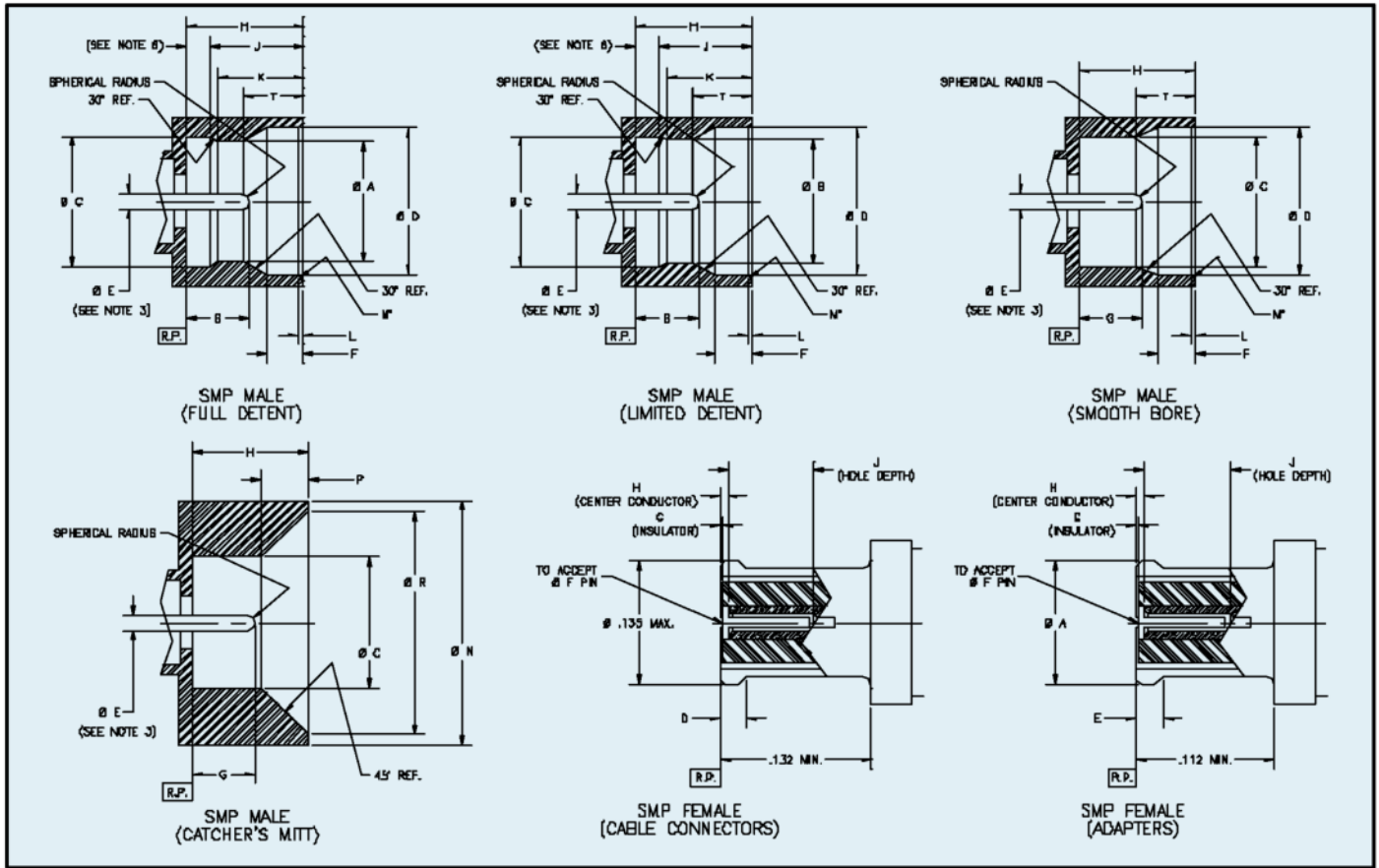


# SMP Series



SMP

# SMP Interface Mating Dimensions (Per MIL-STD-348)



## MALE

LTR	Minimum		Maximum	
	in	mm <sup>2</sup>	in	mm <sup>2</sup>
∅ A	.114	2.90	.118	3.00
∅ B	.118	3.00	.122	3.10
∅ C	.123	3.12	.127	3.23
∅ D	.139	3.53	.145	3.68
∅ E	.014	0.36	.016	0.41
F	.033	0.84	.037	0.94
G	.045	1.14	.055	1.40
H	.108	2.74	.112	2.84
J	.086	2.18	.090	2.29
K	.078	1.98	.082	2.08
L	.003	0.08	----	----
M <sup>o</sup>	40°	40°	50°	50°
∅ N	.230	5.84	.240	6.10
P	.043	1.09	.047	1.19
∅ R	.210	5.33	.220	5.59
T	.055	1.40	.057	1.45

## FEMALE

LTR	Minimum		Maximum	
	in	mm <sup>2</sup>	in	mm <sup>2</sup>
∅ A	----	----	.135	3.43
B	.132	3.35	----	----
C	.112	2.84	----	----
D	.025	0.64	.035	0.89
E	.018	0.46	.025	0.64
∅ F	.014	0.36	.016	0.41
G <sup>d</sup>	.000	0.00	-.010	0.25
H <sup>b</sup>	.000	0.00	-.008	0.20
J	.070	1.78	----	----

### Note(s):

- Dimensions are in inches.
- Metric equivalents (to the nearest 0.01mm) are given for general information only and are based on 1 inch = 25.4 millimeters.
- Pin is not supplied with shroud.
- Dielectric insulator gap is measured from connector body reference plane .000 in. max. above (flush) to .010 in. max. below.
- Center conductor gap is measured from connector body reference plane .000 in. max. above (flush) to .008 in. max. below.
- Dimension to mating interface shall be .018/.025 for adapters and .025/.035 for cable connectors.

The specifications below are general specifications for all SMP connectors. Specific specifications for VSWR, insertion loss, and RF leakage for each connector is available from the factory upon request. Specifications in the following table are recommended for any procurement documents or drawings.

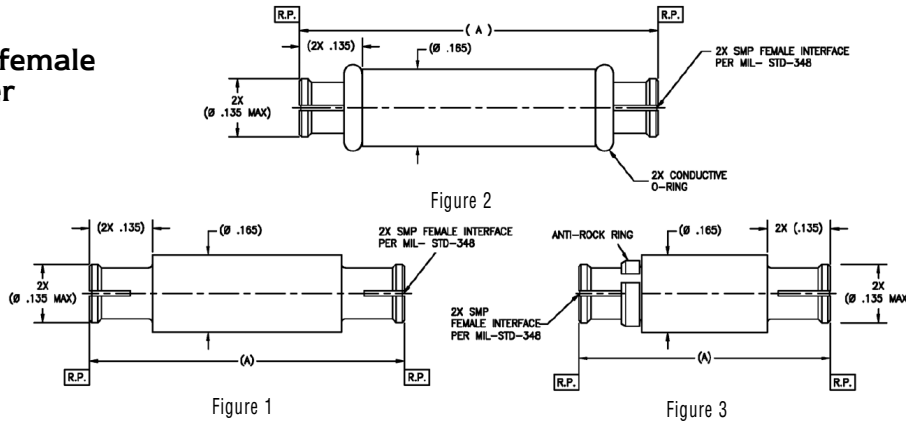
In the event of any conflict between these specifications and DSCC 94007 and DSCC 98004, these specifications shall govern. These specifications are subject to change according to the latest revision of Specification DSCC 94007 and DSCC 98004.

Requirement	Specifications
<b>General</b>	
Material	Steel corrosion resistant per ASTM A-582, 300 Series, AMS 5567, AMS 5370 Brass Alloy per ASTM B-16 Beryllium copper per ASTM B-196 or B-197 PTFE Fluorocarbon per ASTM D-1457 Silicone Rubber per ZZ-R-765, CLASS IIB. 50-60 Shore.
Finish	Center contacts shall be gold plated to a minimum thickness of .00005-inch in accordance with ASTM B-488, Type 3, Code C over nickel underplate. All other metal parts shall be finished so as to provide a connector which meets the corrosion requirements of this table.
Design	The design shall be such that the outline dimensions in this catalog are met. In addition, the assembled connector shall meet the interface dimensions. Dimensions are reference only unless stated.
<b>Electrical</b>	
Insulation Resistance	The insulation resistance shall not be less than 5,000 megaohms.
Dielectric Withstanding Voltage	Refer to applicable military slash sheet or consult factory.
RF High Potential Withstanding Voltage	Refer to applicable military slash sheet or consult factory.
Contact Resistance	Refer to applicable military slash sheet or consult factory.
Voltage Standing Wave Ratio (VSWR)	Refer to applicable military slash sheet or consult factory.
RF Leakage	Refer to applicable military slash sheet or consult factory.
Insertion Loss	Refer to applicable military slash sheet or consult factory.
Corona Level	Refer to applicable military slash sheet or consult factory.
<b>Mechanical</b>	
Force to Engage and Disengage	Engage: 15.0 lbs. max., Full Detent 5.0 lbs. max., Limited Detent 2.0 lbs. max., Smooth Bore and Catcher's Mitt Disengage: 5.0 lbs. min., Full Detent 1.5 lbs. min., Limited Detent 0.5 lbs. min., Smooth Bore and Catcher's Mitt
Misalignment	+/- .020 Radial, .000/.010 Axial
Cable Retention Force	Consult factory.
Mating Characteristics	Female only: 1/4 oz. min. withdrawal with .0140 -.0000/+.0002 diameter pin.
Connector Durability	The connector to be tested and its mating connector shall be subjected to : 100 mating cycles min. for Full Detent; 500 mating cycles min. for Limited Detent; and 5000 mating cycles min. for Smooth Bore and Catcher's Mitt. The connector shall show no evidence of mechanical failure and the connector shall meet the mating characteristic requirements.
<b>Environmental</b>	
Vibration	Specification MIL-STD-202, Method 204, Test Condition D.
Shock	Specification MIL-STD-202, Method 213, Test Condition I.
Thermal Shock	Refer to applicable military slash sheet or consult factory.
Corrosion (Salt Spray)	Specification MIL-STD-202, Method 101, Test Condition B. No measurement at high humidity.
Moisture Resistance	Specification MIL-STD-202, Method 106. No measurement at high humidity. Insulation resistance shall be 200 megaohms min. within 5 minutes after removal from humidity.

# SMP In-Series Adapters

## P617

### SMP female to female straight adapter

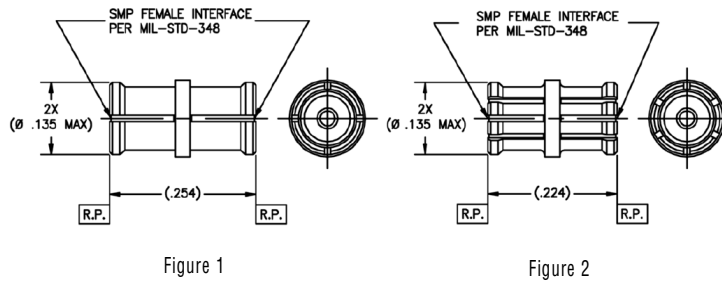


Tensolite Part No.	"A"	Fig.
P617-1CC	.769	1
P617-2CC	.851	1
P617-3CC	1.366	1
P617-4CC	.440	2
P617-5CC	.769	2
P617-6CC	.415	1
P617-7CC	.428	1
P617-8CC	.539	3

Center conductor is captivated  
Standard units are gold finish

## P650

### SMP female to female straight adapter

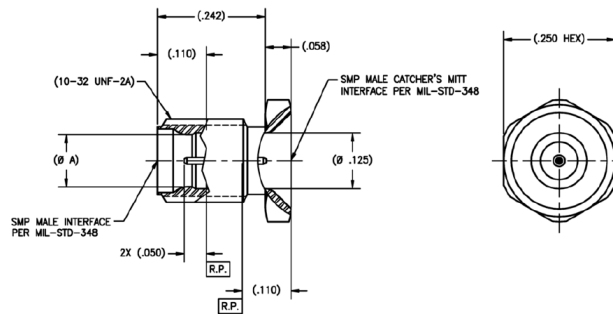


Tensolite Part No.	Fig.
P650-1CC	1
P650-2CC	2

Center conductor is captivated  
Standard units are gold finish

## P912

### SMP male bulkhead straight to SMP male catcher's mitt adapter

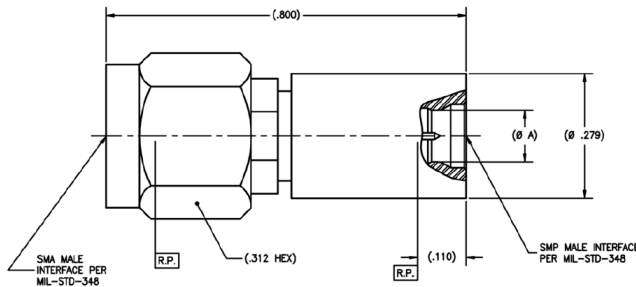


Tensolite Part No.	Interface	"ØA"
P912-1CCSF	Full detent	.116
P912-2CCSF	Limited detent	.120
P912-3CCSF	Smooth bore	.125

Center conductor is captivated  
Standard finish is passivated.

## P913

### SMA male straight to SMP male adapter



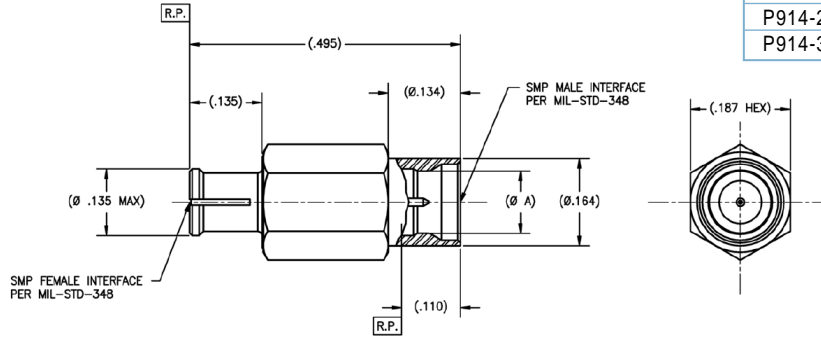
Tensolite Part No.	Interface	"ØA"
P913-1CCSF	Full detent	.116
P913-2CCSF	Limited detent	.120
P913-3CCSF	Smooth bore	.125

Center conductor is captivated  
Standard finish is passivated.

# SMP In-series Adapters

## P914

SMP male straight to SMP female adapter

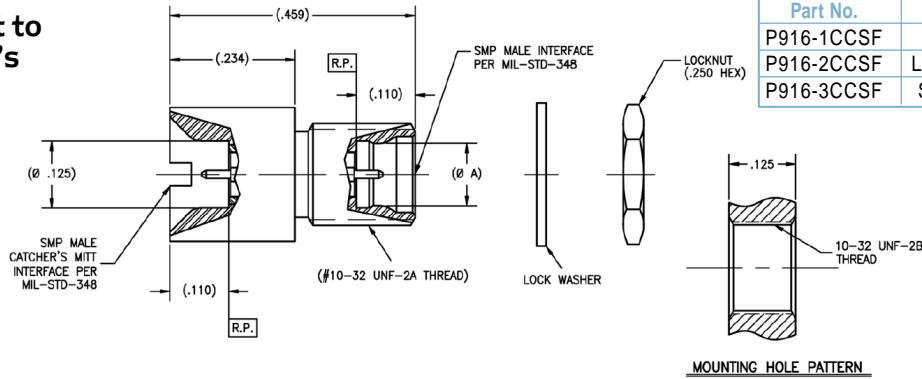


Tensolite Part No.	Interface	" $\varnothing A$ "
P914-1CC	Full detent	.116
P914-2CC	Limited detent	.120
P914-3CC	Smooth bore	.125

Center conductor is captivated  
Standard units are gold finish

## P916

SMP male straight to SMP male catcher's mitt adapter



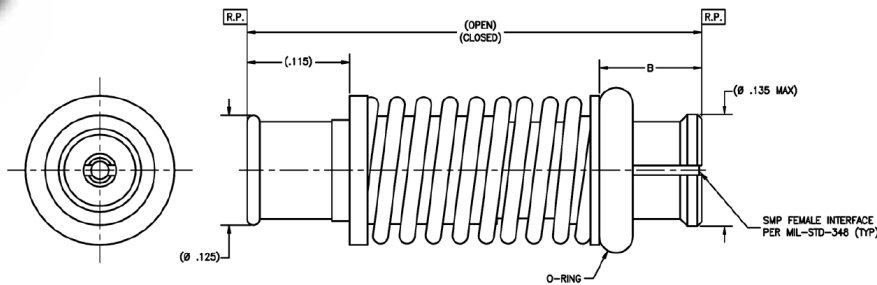
Tensolite Part No.	Interface	" $\varnothing A$ "
P916-1CCSF	Full detent	.116
P916-2CCSF	Limited detent	.120
P916-3CCSF	Smooth bore	.125

Center conductor is captivated.  
Standard finish is passivated.

MOUNTING HOLE PATTERN

## P922

SMP female bullet spring loaded straight to SMP female adapter



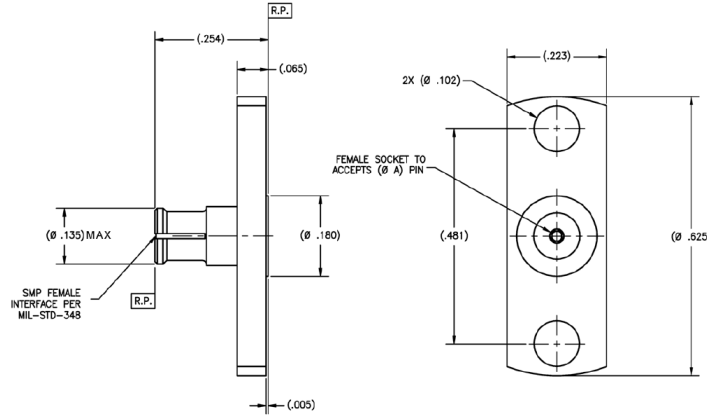
Tensolite Part No.	(open)	(closed)	B	O-ring
P922-2CC	(.510)	(.460)	(.115)	Not required
P922-3CC	(.745)	(.695)	(.115)	Not required
P922-4CC	(.660)	(.610)	(.135)	Required
P922-5CC	(1.000)	(.950)	(.135)	Required
P922-6CC	(1.376)	(1.326)	(.115)	Not required

Center conductor is captivated  
Standard units are gold finish

# SMP Field Replaceable Connectors

## P835

SMP female 2 hole flange mount field replaceable



Tensolite Part No.	"A"
P835-1CC	.012
P835-2CC	.015
P835-3CC	.018

Center conductor is captivated  
Standard units are gold finish

## P836

SMP male detent 2 hole flange mount field replaceable

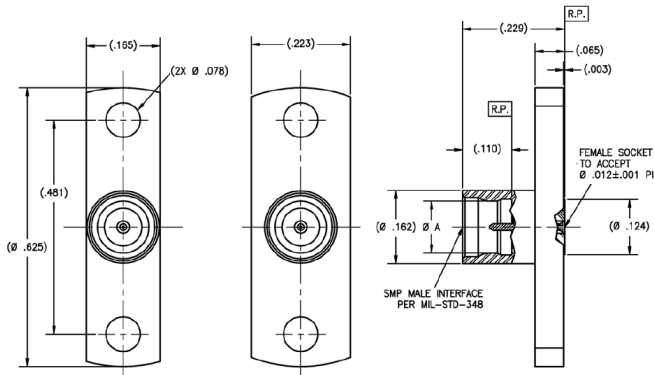


Figure 1

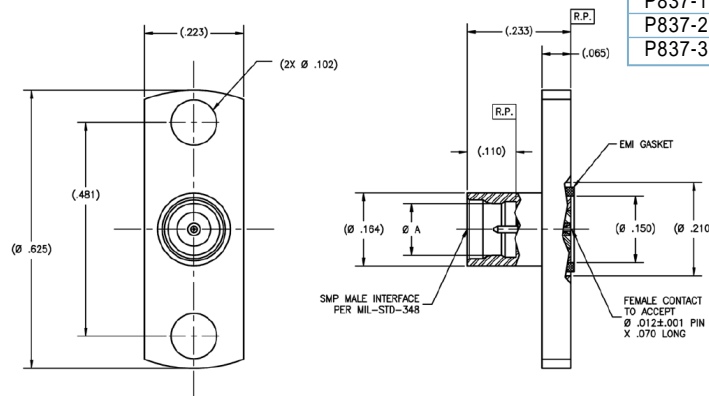
Figure 2

Tensolite Part No.	Interface	"A"	Fig.
P836-1CCSF	Full detent	.116	1
P836-2CCSF	Limited detent	.120	1
P836-3CCSF	Smooth bore	.125	1
P836-4CCSF	Full detent	.116	2
P836-5CCSF	Limited detent	.120	2
P836-6CCSF	Smooth bore	.125	2

Center conductor is captivated  
Standard finish is passivated.

## P837

SMP male 2 hole flange mount field replaceable with EMI gasket



Tensolite Part No.	Interface	"ØA"
P837-1CCSF	Full detent	.116
P837-2CCSF	Limited detent	.120
P837-3CCSF	Smooth bore	.125

Center conductor is captivated  
Standard finish is passivated.

SMP Field Replaceable Connectors

## P600

SMP female right angle to flexible cable (18.0 GHz version)

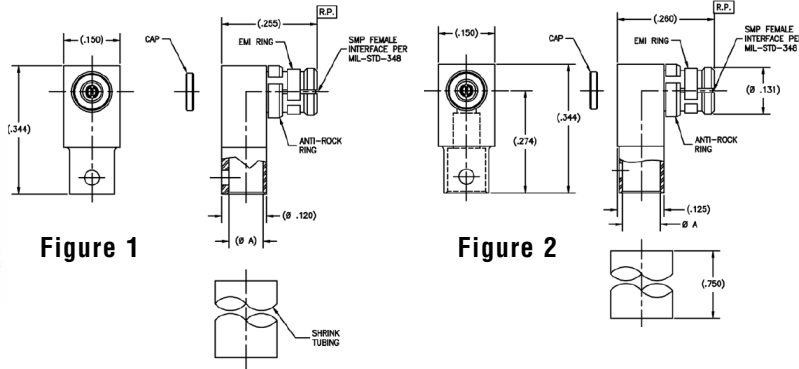


Figure 1

Figure 2

Tensolite Part No.	Cable Types	Fig.
P600-1CC	RG178	1
P600-2CC	RG316	1
P600-3CC	RD178	1
P600-4CC	RD316	2
P600-9CC	LLF1087	1

Center conductor is captivated  
Standard units are gold finish

## P601

SMP female right angle connector for flex cable (26.5 GHz version)

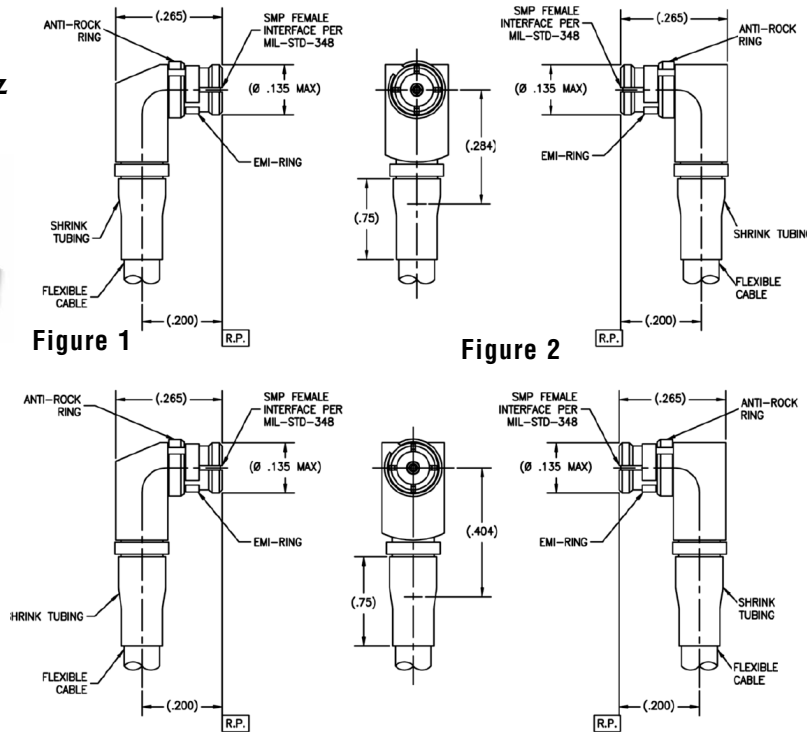


Figure 1

Figure 2

Figure 3

Figure 4

Tensolite Part No.	Cable Types	Fig.
P601-1CC	RG178	3
P601-2CC	RG316	3
P601-3CC	RD178	3
P601-4CC	RD316	3
P601-9CC	LLF1087	1
P601-11CC	RG178	4
P601-12CC	RG316	4
P601-13CC	RD178	4
P601-14CC	RD316	4
P601-19CC	LLF1087	2
P601-21CC	LLFP1087	3
P601-22CC	LLFP1087	4

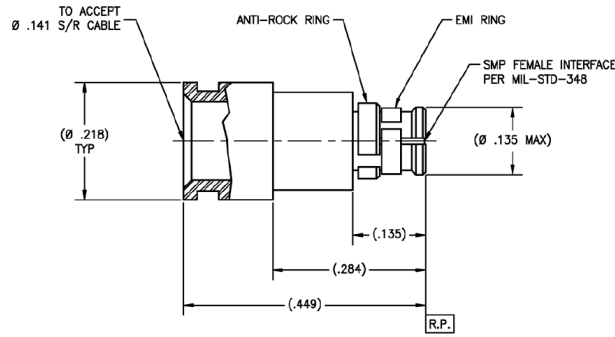
Center conductor is captivated  
Standard units are gold finish

# SMP Semi-Rigid Cable Connectors

Standard units are gold finish

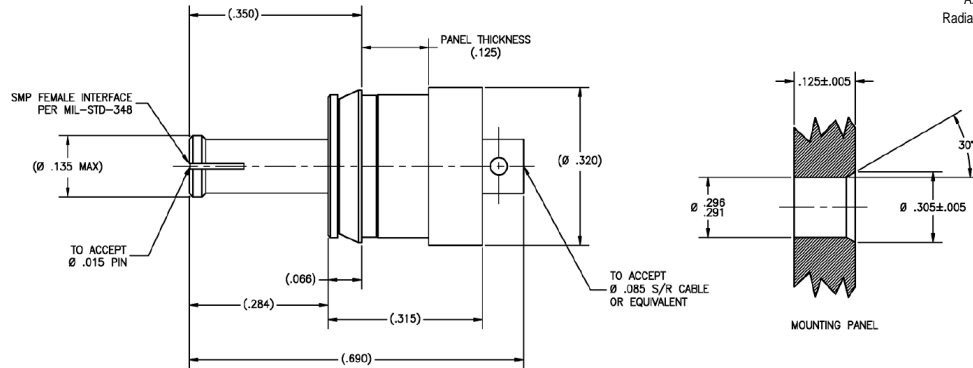
## P629-1

SMP female straight to  $\varnothing$  .141 Semi-Rigid cable (18.0 GHz version)



## P634-1

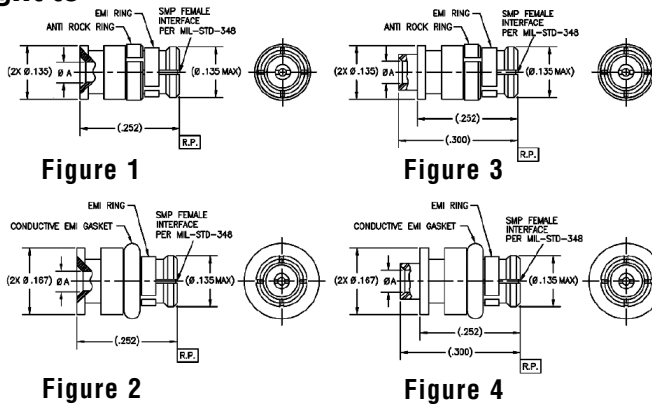
SMP female float mount straight to  $\varnothing$  .085 Semi-Rigid cable (18.0 GHz version)



Standard units are gold finish  
Axial Float: .125 inch  
Radial Float:  $\pm$  .030 inch

## P651

SMP female straight to Semi-Rigid cable

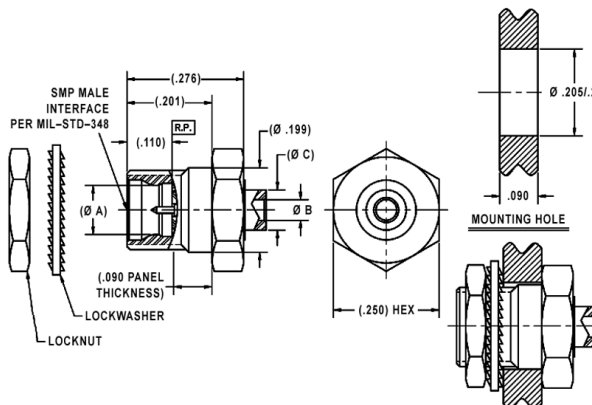


Tensolite Part No.	$\varnothing$ A	$\varnothing$ Cable Type(s)	Fig.
P651-1CC	.049 min.	.047 Semi-Rigid cable	3
P651-2CC	.088 min.	.085 Semi-Rigid cable	1
P651-3CC	.049 min.	.047 Microporous cable	3
P651-4CC	.088 min.	.085 Microporous cable	1
P651-5CC	.049 min.	.047 Semi-Rigid cable	4
P651-6CC	.088 min.	.085 Semi-Rigid cable	2
P651-7CC	.049 min.	.047 Microporous cable	4
P651-8CC	.088 min.	.085 Microporous cable	2

Center conductor is captivated  
Standard units are gold finish

## P660

SMP male bulkhead jam nut mount straight to Semi-Rigid cable



Tensolite Part No.	Interface	( $\varnothing$ A)	$\varnothing$ B	( $\varnothing$ C)	S/R Cable Types
P660-1CC	Full Detent	.116	.049 Min	.095	.047 Semi-Rigid
P660-2CC	Limited Detent	.120	.049 Min	.095	.047 Semi-Rigid
P660-3CC	Smooth Bore	.125	.049 Min	.095	.047 Semi-Rigid
P660-4CC	Full Detent	.116	.088 Min	.108	.085 Semi-Rigid
P660-5CC	Limited Detent	.120	.088 Min	.108	.085 Semi-Rigid
P660-6CC	Smooth Bore	.125	.088 Min	.108	.085 Semi-Rigid
P660-7CC	Full Detent	.116	.049 Min	.095	.047 Microporous
P660-8CC	Limited Detent	.120	.049 Min	.095	.047 Microporous
P660-9CC	Smooth Bore	.125	.049 Min	.095	.047 Microporous
P660-10CC	Full Detent	.116	.088 Min	.108	.085 Microporous
P660-11CC	Limited Detent	.120	.088 Min	.108	.085 Microporous
P660-12CC	Smooth Bore	.125	.088 Min	.108	.085 Microporous

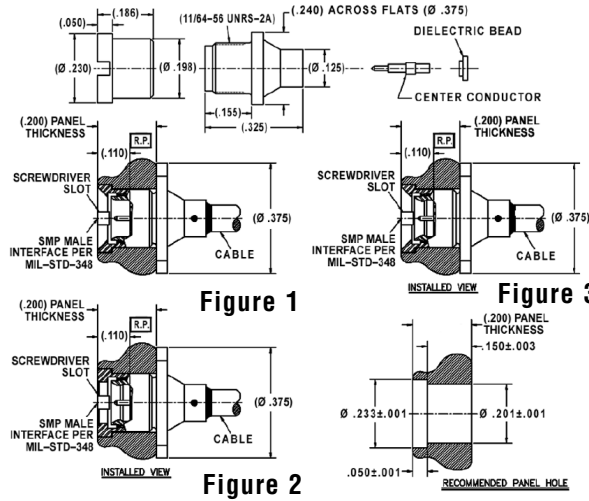
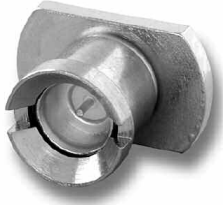
Center conductor is captivated  
Standard units are gold finish



# SMP Semi-Rigid Cable Connectors

## P662

SMP male bulkhead panel mount to Semi-Rigid cable

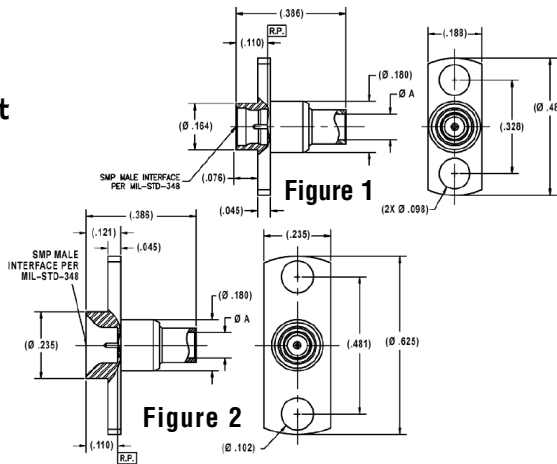


Tensolite Part No.	Interface	Fig.	Cable Types
P662-1CC	Catcher's Mitt	1	Ø .047 S/R
P662-2CC	Catcher's Mitt	1	Ø .085 S/R
P662-3CC	Catcher's Mitt	1	Ø .047 L/L
P662-4CC	Catcher's Mitt	1	Ø .085 L/L
P662-5CC	Full Detent	2	Ø .047 S/R
P662-6CC	Full Detent	2	Ø .085 S/R
P662-7CC	Full Detent	2	Ø .047 L/L
P662-8CC	Full Detent	2	Ø .085 L/L
P662-9CC	Limited Detent	2	Ø .047 S/R
P662-10CC	Limited Detent	2	Ø .085 S/R
P662-11CC	Limited Detent	2	Ø .047 L/L
P662-12CC	Limited Detent	2	Ø .085 L/L
P662-13CC	Limited Detent	3	Ø .085 S/R

Center conductor is captivated  
Standard units are gold finish

## P664

SMP male 2 hole flange mount straight to Semi-Rigid cable

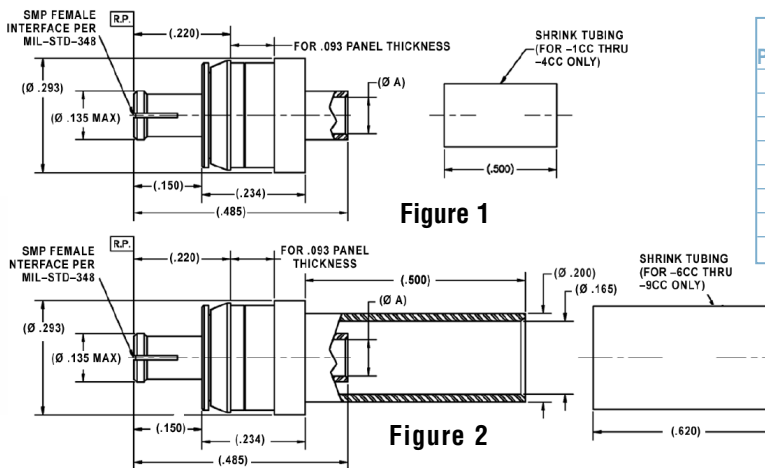


Tensolite Part No.	Interface	(Ø A)	Cable Types	Fig.
P664-1SF	Full Detent	.049 Min	.047 S/R	1
P664-2SF	Limited Detent	.049 Min	.047 S/R	1
P664-3SF	Smooth Bore	.049 Min	.047 S/R	1
P664-4SF	Full Detent	.088 Min	.085 S/R	1
P664-5SF	Limited Detent	.088 Min	.085 S/R	1
P664-6SF	Smooth Bore	.088 Min	.085 S/R	1
P664-7SF	Full Detent	.049 Min	.047 S/R LL	1
P664-8SF	Limited Detent	.049 Min	.047 S/R LL	1
P664-9SF	Smooth Bore	.049 Min	.047 S/R LL	1
P664-10SF	Full Detent	.088 Min	.085 S/R LL	1
P664-11SF	Limited Detent	.088 Min	.085 S/R LL	1
P664-12SF	Smooth Bore	.088 Min	.085 S/R LL	1
P664-13SF	Catcher's Mitt	.049 Min	.047 S/R LL	2
P664-14SF	Catcher's Mitt	.088 Min	.085 S/R LL	2

Center conductor is captivated  
Standard finish is passivated

## P658

SMP female float mount straight to cable

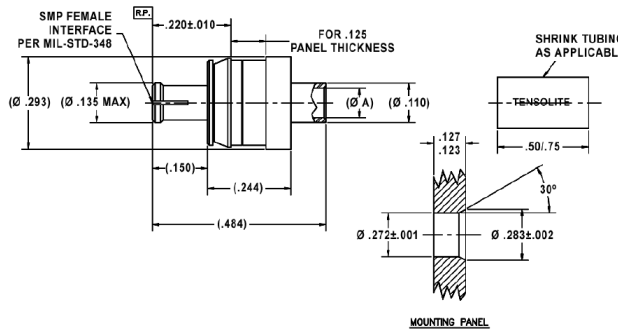


Tensolite Part No.	(Ø A)	Cable Types	Fig.
P658-1CC	.081 Min	UFF .092A	1
P658-2CC	.089 Min	RG316/U	1
P658-3CC	.090 Min	TFLEX 405HF	1
P658-4CC	.087 Min	Microflex Ø .095	1
P658-5CC	.090 Min	Ø .085 S/R	1
P658-6CC	.090 Min	Ø .085 S/R LL	2
P658-7CC	.050 Min	Ø .047 S/R	2
P658-8CC	.050 Min	Ø .047 S/R LL	2

Center conductor is captivated  
Standard units are gold finish  
Axial Float: .040 inch  
Radial Float: ± .020 inch

## P666

SMP female float mount straight to cable



Tensolite Part No.	(Ø A)	Cable Types
P666-1CC	.081 Min	UFF .092A
P666-2CC	.089 Min	RG316/U
P666-3CC	.090 Min	TFLEX 405HF
P666-4CC	.087 Min	Microflex Ø .095
P666-5CC	.090 Min	Ø .085 S/R
P666-6CC	.090 Min	Ø .085 S/R LL
P666-7CC	.050 Min	Ø .047 S/R
P666-8CC	.050 Min	Ø .047 S/R LL

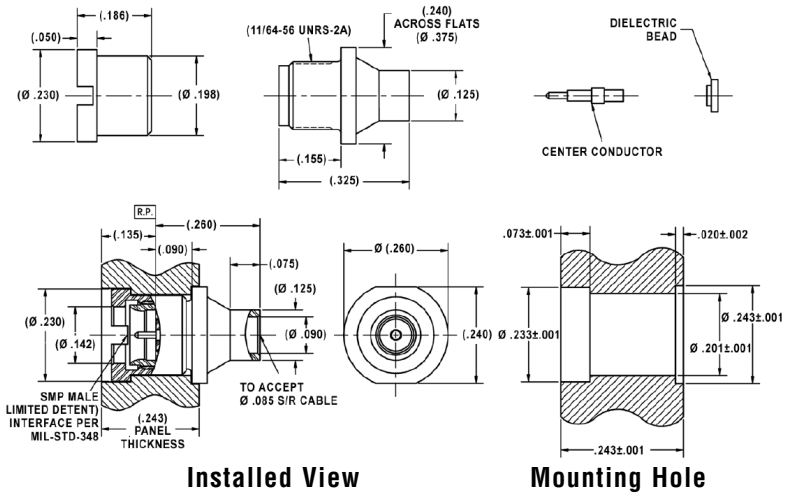
Center conductor is captivated  
Standard units are gold finish  
Axial Float: .040 inch  
Radial Float: ± .020 inch

# SMP Semi-Rigid Cable Connectors

Standard finish is passivated.

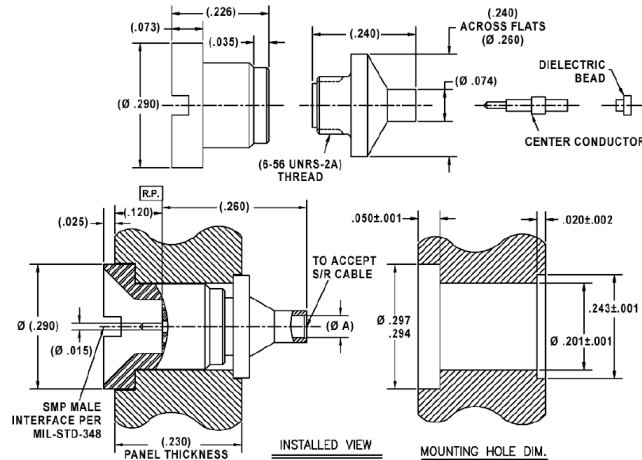
## P722-1CCSF

SMP male limited detent bulkhead panel mount to Ø .085 Semi-Rigid cable



## P723

SMP male catcher's mitt bulkhead panel mount straight to Semi-Rigid cable

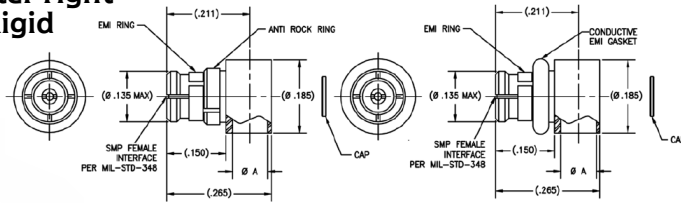


Tensolite Part No.	Cable Types	(ØA)
P723-1CC	Ø .047 Semi-Rigid	.050
P723-2CC	Ø .085 Semi-Rigid	.090

Center conductor is captivated. Standard units are gold finish.

## P652

SMP female miter right angle to Semi-Rigid cable (12.0 GHz version)

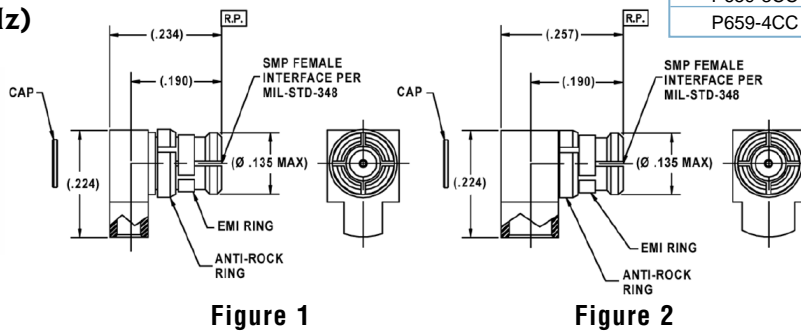


Tensolite Part No.	ØA	Ø Cable Type(s)	Fig.
P652-1CC	.049 min.	.047 Semi-Rigid cable	1
P652-2CC	.088 min.	.085 Semi-Rigid cable	1
P652-3CC	.049 min.	.047 Microporous cable	1
P652-4CC	.088 min.	.085 Microporous cable	1
P652-5CC	.049 min.	.047 Semi-Rigid cable	2
P652-6CC	.088 min.	.085 Semi-Rigid cable	2
P652-7CC	.049 min.	.047 Microporous cable	2
P652-8CC	.088 min.	.085 Microporous cable	2

Center conductor is captivated. Standard units are gold finish.

## P659

SMP female miter right angle to Semi-Rigid cable (18GHz)



Tensolite Part No.	Cable Types	Fig.
P659-1CC	.047 Semi-Rigid/Semi-Flex	1
P659-2CC	.085 Semi-Rigid/Semi-Flex	2
P659-3CC	.047 Microporous	1
P659-4CC	.085 Microporous	2

Center conductor is captivated. Standard units are gold finish.

SMP Semi-Rigid Cable Connectors

# SMP Right Angle Cable Connectors

## P655

SMP female miter right angle to Semi-Rigid cable (26.5 GHz version)

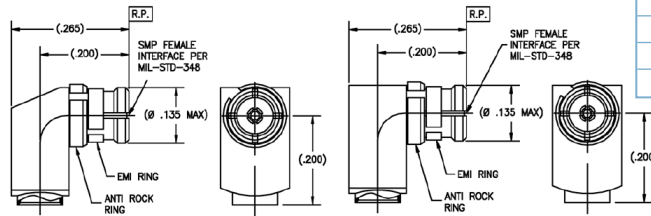


Figure 1

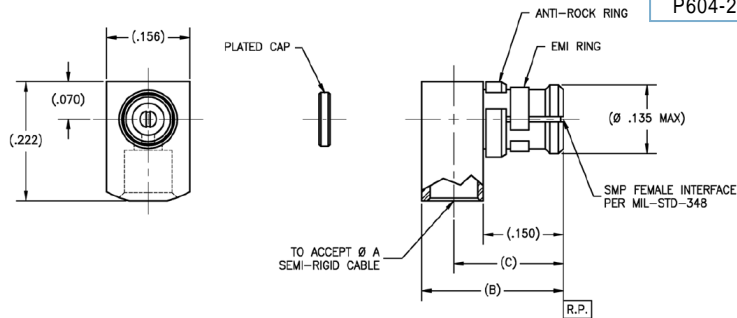
Figure 2

Tensolite Part No.	Cable Types	Fig.
P655-1CC	.047 Semi-Rigid/Semi-Flex	1
P655-2CC	.085 Semi-Rigid/Semi-Flex	1
P655-3CC	.047 Microporous	1
P655-4CC	.085 Microporous	1
P655-9CC	.047 Semi-Rigid/Semi-Flex	2
P655-10CC	.085 Semi-Rigid/Semi-Flex	2
P655-11CC	.047 Microporous	2
P655-12CC	.085 Microporous	2

Center conductor is captivated.  
Standard units are gold finish.

## P604

SMP female miter right angle to Semi-Rigid cable (18.0 GHz version)



Tensolite Part No.	ØA	(B)	(C)
P604-1CC	.085	(.265)	(.205)
P604-2CC	.047	(.230)	(.190)

Center conductor is captivated.  
Standard units are gold finish.

## P665

SMP female miter right angle to Semi-Rigid cable

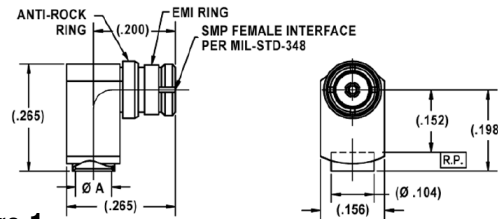
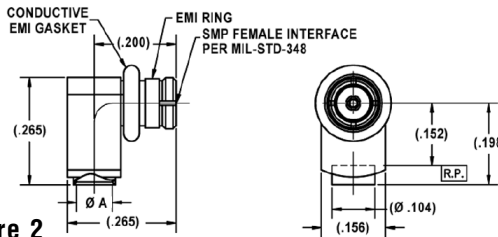


Figure 1

Figure 2

Tensolite Part No.	(Ø A)	Cable Types	Fig.
P665-1CC	.049 Min	.047 Semi-Rigid	1
P665-2CC	.088 Min	.085 Semi-Rigid	1
P665-3CC	.049 Min	.047 Microporous	1
P665-4CC	.088 Min	.085 Microporous	1
P665-5CC	.049 Min	.047 Semi-Rigid	2
P665-6CC	.088 Min	.085 Semi-Rigid	2
P665-7CC	.049 Min	.047 Microporous	2
P665-8CC	.088 Min	.085 Microporous	2

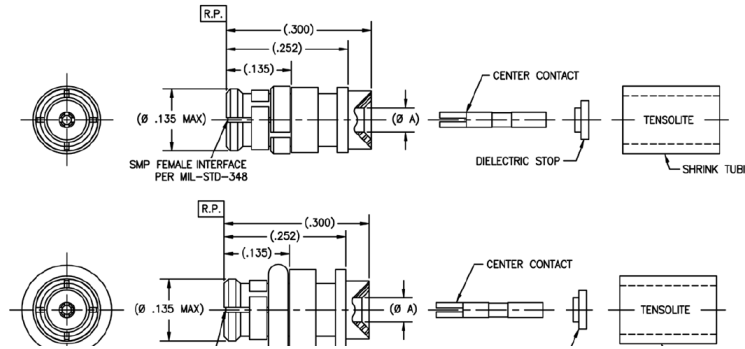
Center conductor is captivated.  
Standard units are gold finish.



# SMP Straight Cable Connectors

## P657

SMP female straight to flex cable

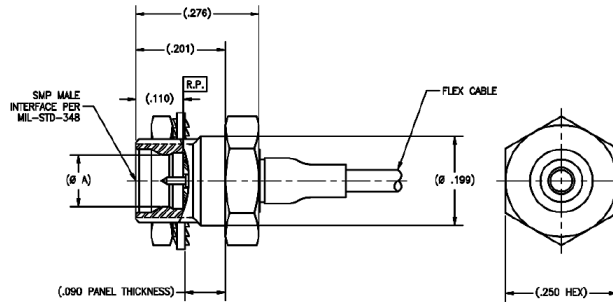


Tensolite Part No.	Cable Types	Fig.	(Ø A)
P657-1CC	RG178	1	.056
P657-2CC	RG316	1	.084
P657-3CC	RD178	1	.075
P657-5CC	RG178	2	.056
P657-6CC	RG316	2	.084
P657-7CC	RD178	2	.075
P657-9CC	LLF-1087	1	.090

Center conductor is captivated.  
Standard units are gold finish.

## P661

SMP male bulkhead connector for flex cables

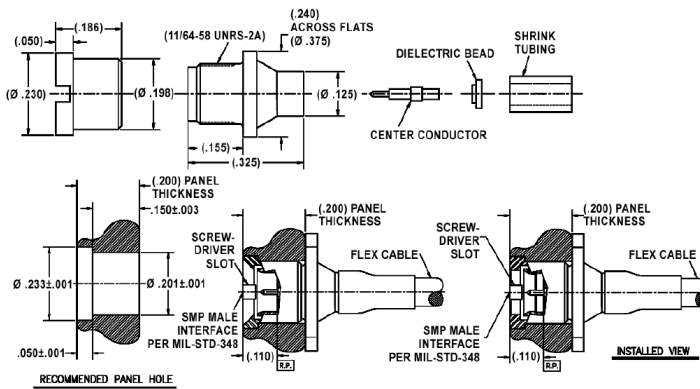


Tensolite Part No.	Interface	(Ø A)	Cable Types
P661-1CC	Full Detent	.116	RG-178
P661-2CC	Limited Detent	.120	RG-178
P661-3CC	Smooth Bore	.125	RG-178
P661-4CC	Full Detent	.116	RD-178
P661-5CC	Limited Detent	.120	RD-178
P661-6CC	Smooth Bore	.125	RD-178
P661-7CC	Full Detent	.116	RG-316
P661-8CC	Limited Detent	.120	RG-316
P661-9CC	Smooth Bore	.125	RG-316
P661-10CC	Full Detent	.116	RD-316
P661-11CC	Limited Detent	.120	RD-316
P661-12CC	Smooth Bore	.125	RD-316

Center conductor is captivated.  
Standard units are gold finish.

## P663

SMP male panel mount straight to flex cable



Tensolite Part No.	Interface	Fig.	Cable Types
P663-1CC	Catcher's Mitt	1	M17/93-RG178
P663-2CC	Catcher's Mitt	1	RD178
P663-3CC	Catcher's Mitt	1	M17/113-RG316
P663-4CC	Catcher's Mitt	1	RD316
P663-5CC	Limited Detent	2	M17/93-RG178
P663-6CC	Limited Detent	2	RD178
P663-7CC	Limited Detent	2	M17/113-RG316
P663-8CC	Limited Detent	2	RD316
P663-9CC	Full Detent	2	M17/93-RG178
P663-10CC	Full Detent	2	RD178
P663-11CC	Full Detent	2	M17/113-RG316
P663-12CC	Full Detent	2	RD316

Center conductor is captivated.  
Standard units are gold finish.

Figure 1

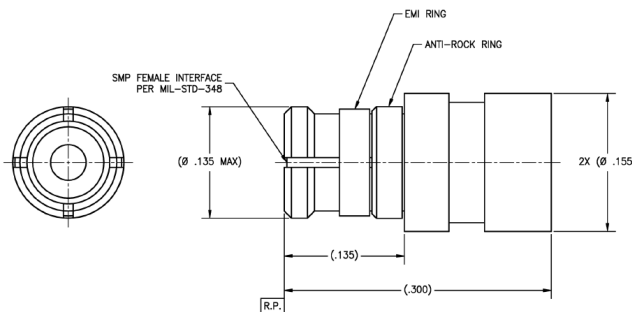
Figure 2

# SMP Caps, Shorts, Opens & Loads

Standard units are gold finish.

## P667-1

SMP (protective cap)

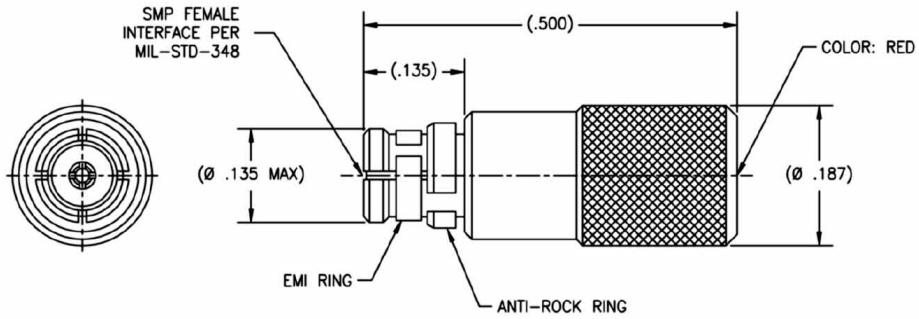


# SMP Loads & Terminations

## P930-1CC

### SMP female short

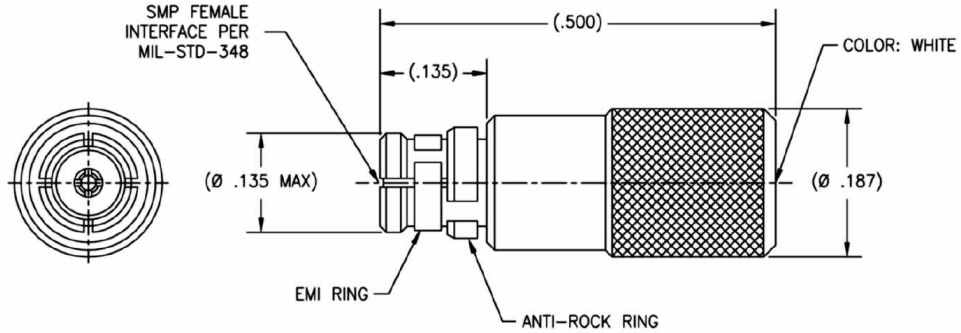
Center conductor is captivated.  
Standard units are gold finish.



## P931-1

### SMP female open

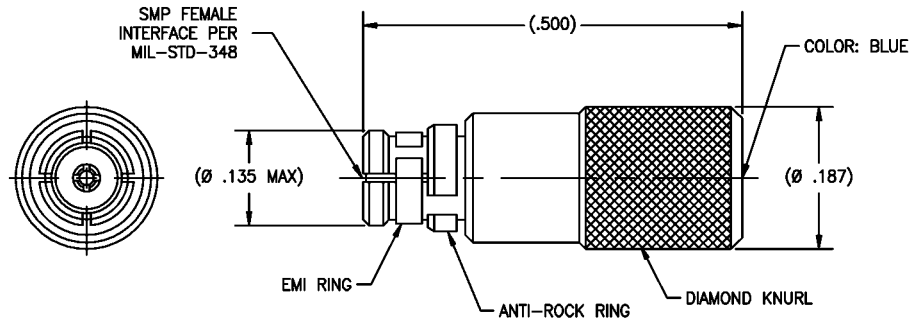
Center conductor is captivated.  
Standard units are gold finish.



## P918-1CC

### SMP female straight to 50 Ohm load termination

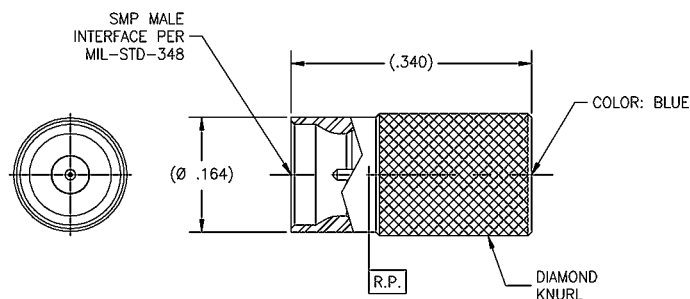
Center conductor is captivated.  
Standard units are gold finish.



## P919

### SMP male straight 50 Ohm load termination

Center conductor is captivated.  
Standard units are gold finish.

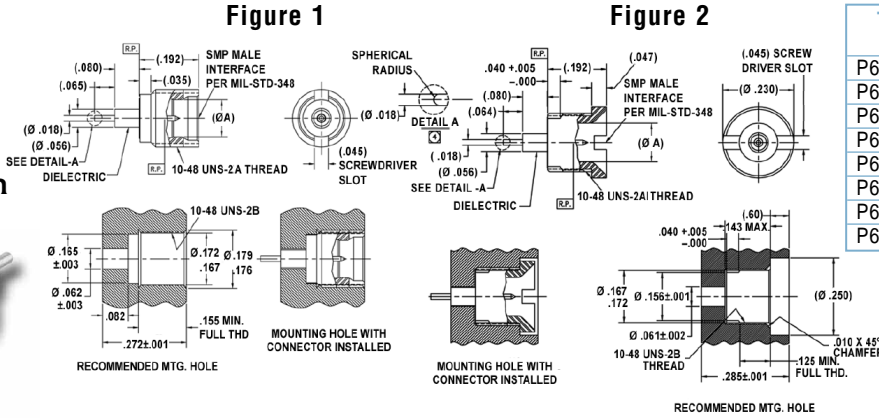


Tensolite Part Number	Interface
P919-1CCSF	Full Detent
P919-2CCSF	Limited Detent
P919-3CCSF	Smooth Bore

# SMP Panel Mount Connectors

## P674

SMP male thread in style to straight termination

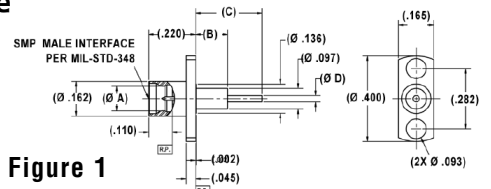


Tensolite Part No.	Interface(s)	(Ø A)	Fig.
P674-1CCSF	Full Detent	.116	1
P674-2CCSF	Limited Detent	.120	1
P674-3CCSF	Smooth Bore	.125	1
P674-4CCSF	Catcher's Mitt	.125	2
P674-5CCSF	Full Detent	.116	1
P674-6CCSF	Limited Detent	.120	1
P674-7CCSF	Smooth Bore	.125	1
P674-8CCSF	Catcher's Mitt	.125	2

Center conductor is captivated.  
Standard units are gold finish.

## P678

SMP male 2 hole flange mount straight termination



Tensolite Part No.	Interface(s)	(Ø A)	(B)	(C)	(Ø D)	Fig.
P678-1CCSF	Full Detent	.116	.150	.310	.030	1
P678-2CCSF	Limited Detent	.120	.150	.310	.030	1
P678-3CCSF	Smooth Bore	.125	.150	.310	.030	1
P678-4CCSF	Full Detent	.116	.115	.185	.030	1
P678-5CCSF	Smooth Bore	.125	.090	.187	.030	1
P678-6CCSF	Catcher's Mitt (Mod)	.125	NR	.200	.030	2
P678-7CCSF	Catcher's Mitt (Mod)	.125	NR	.160	.012	2
P678-8CCSF	Catcher's Mitt	.125	.250	.500	.030	3

Center conductor is captivated.  
Standard finish is passivated.

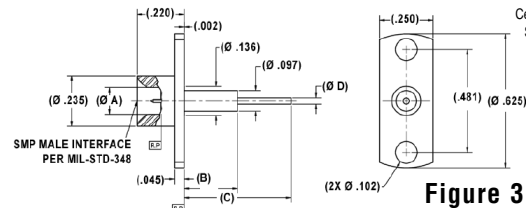
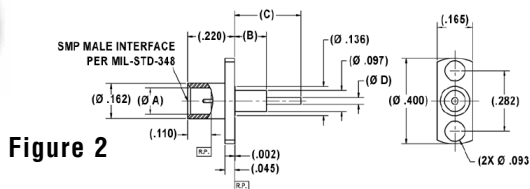
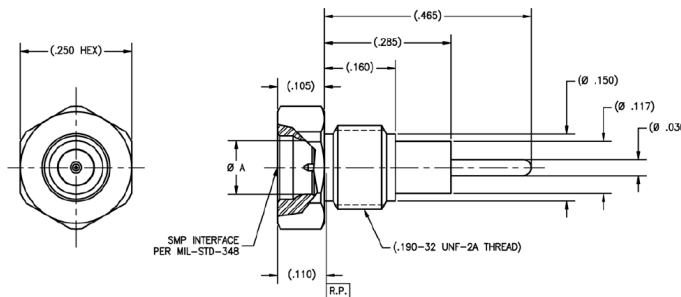


Figure 3

## P834

SMP male thread-in style to Ø .036 straight termination



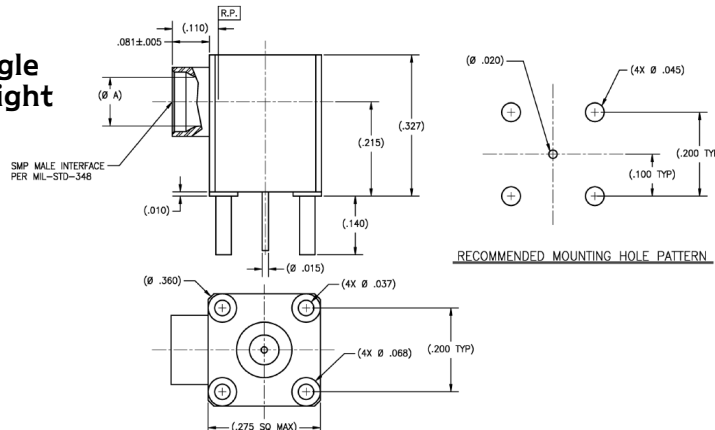
Tensolite Part No.	(ØA)	Interface
P834-1CCSF	.116	Full Detent
P834-2CCSF	.120	Limited Detent
P834-3CCSF	.125	Smooth Bore

Center conductor is captivated.  
Standard units are gold finish.  
Standard finish is passivated.

# SMP Circuit Board Connectors

## P602

SMP male right angle TCB mount to straight termination



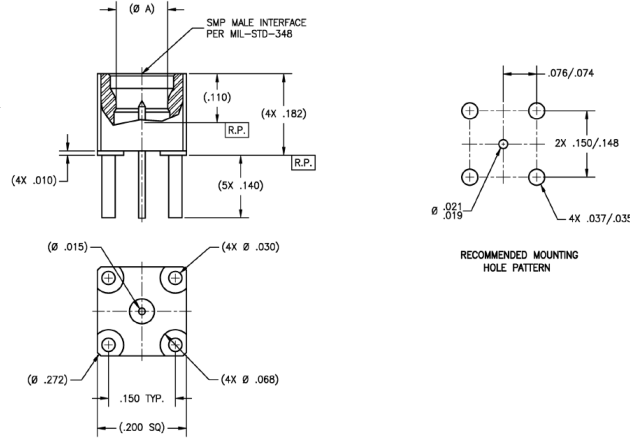
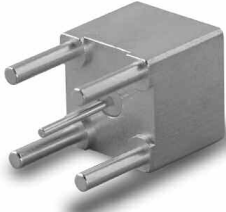
Tensolite Part No.	Interface	(ØA)
P602-1CC	Smooth Bore	.125
P602-2CC	Limited Detent	.120
P602-3CC	Full Detent	.116

Center conductor is captivated.  
Standard units are gold finish.

# SMP Circuit Board Connectors

## P603

SMP male PCB mount to straight termination

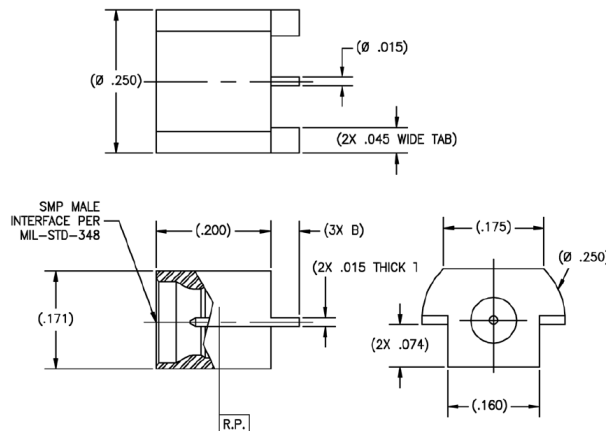
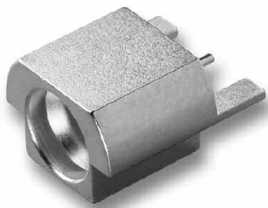


Tensolite Part No.	Interface	( $\varnothing A$ )
P603-1CC	Full Detent	.116
P603-2CC	Limited Detent	.120
P603-3CC	Smooth Detent	.125

Center conductor is captivated.  
Standard units are gold finish.

## P606

SMP male straight PCB edge mount to straight termination

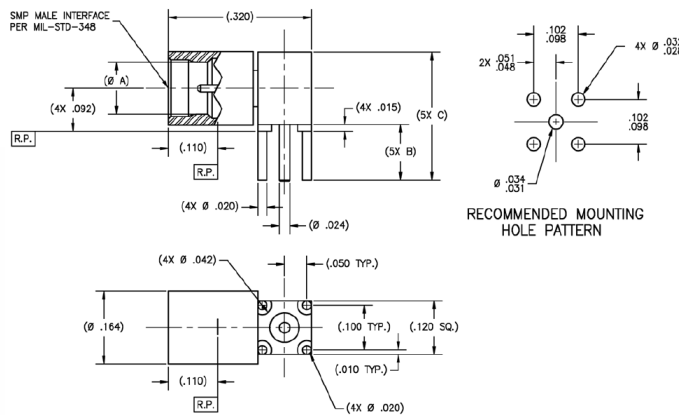


Tensolite Part Number	Interface	(B)
P606-1CC	Full Detent	.090
P606-2CC	Limited Detent	.090
P606-3CC	Smooth Bore	.090
P606-4CC	Full Detent	.050
P606-5CC	Limited Detent	.050
P606-6CC	Smooth Bore	.050

Center conductor is captivated.  
Standard units are gold finish.

## P646

SMP male right angle to PCB mount

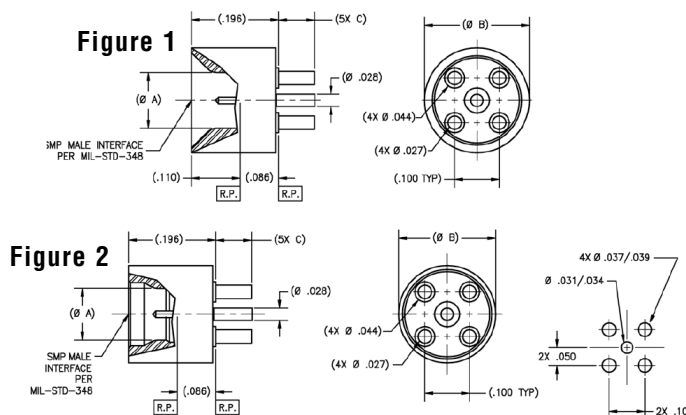


Tensolite Part No.	Interface	( $\varnothing A$ )	(B)	(C)
P646-1CC	Full Detent	.116	.125	.287
P646-2CC	Full Detent	.116	.115	.297
P646-3CC	Full Detent	.116	.155	.337

Center conductor is captivated.  
Standard units are gold finish.

## P654

SMP male straight to PCB mount connector



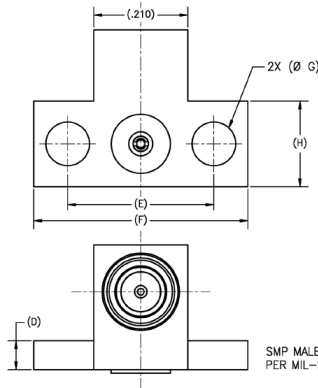
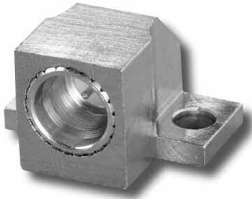
Tensolite Part No.	Interface(s)	( $\varnothing A$ )	( $\varnothing B$ )	(C)	Fig.
P654-1CC	Limited Detent	.120	(.218)	.079	2
P654-2CC	Full Detent	.116	(.218)	.079	2
P654-3CC	Smooth Bore	.125	(.218)	.079	2
P654-4CC	Catcher's Mitt	.125	(.235)	.079	1
P654-5CC	Full Detent	.116	(.218)	.100	2
P654-6CC	Limited Detent	.120	(.218)	.100	2
P654-7CC	Smooth Bore	.125	(.218)	.100	2
P654-8CC	Catcher's Mitt	.125	(.235)	.100	1
P654-9CC	Full Detent	.116	(.218)	.140	2
P654-10CC	Limited Detent	.120	(.218)	.140	2
P654-11CC	Smooth Bore	.125	(.218)	.140	2
P654-12CC	Catcher's Mitt	.125	(.235)	.140	1

Standard units are gold finish.

# SMP Circuit Board Connectors

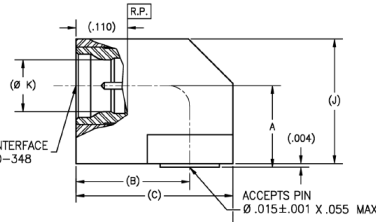
## P656

SMP male to female  
right angle 2 hole  
flange mount



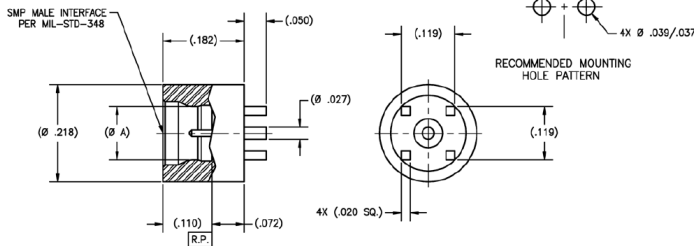
Tensolite Part No.	Interface(s)	(A)	(B)	(C)	(D)	(E)	(F)	(ØG)	(H)	(J)	(ØK)
P656-1CCSF	Full Detent	.175	.225	.352	.065	.328	.480	.098	.192	.280	.116
P656-2CCSF	Limited Detent	.175	.225	.352	.065	.328	.480	.098	.192	.280	.120
P656-3CCSF	Smooth Bore	.175	.225	.352	.065	.328	.480	.098	.192	.280	.125
P656-4CCSF	Full Detent	.140	.210	.295	.045	.282	.400	.076	.170	.240	.116
P656-5CCSF	Limited Detent	.140	.210	.295	.045	.282	.400	.076	.170	.240	.120
P656-6CCSF	Smooth Bore	.140	.210	.295	.045	.282	.400	.076	.170	.240	.125

Center conductor is captivated.  
Standard finish is passivated.



## P695

SMP male straight to  
PCB mount

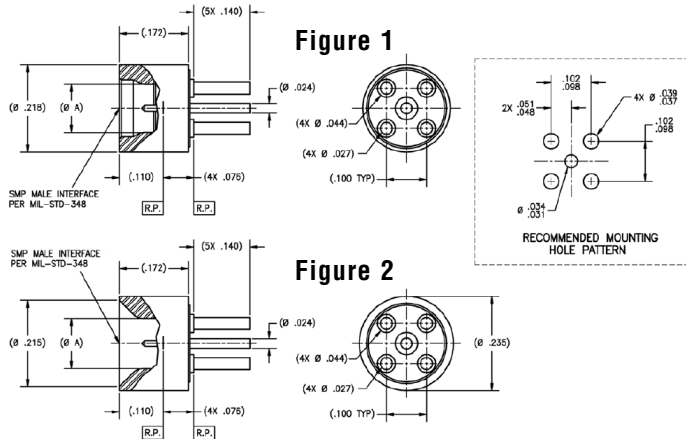


Tensolite Part No.	(ØA)	Interface
P695-1CCSF	.120	Limited Detent
P695-2CCSF	.116	Full Detent
P695-3CCSF	.125	Smooth Bore

Center conductor is captivated.  
Standard finish is passivated.

## P696

SMP male  
straight to PCB  
mount

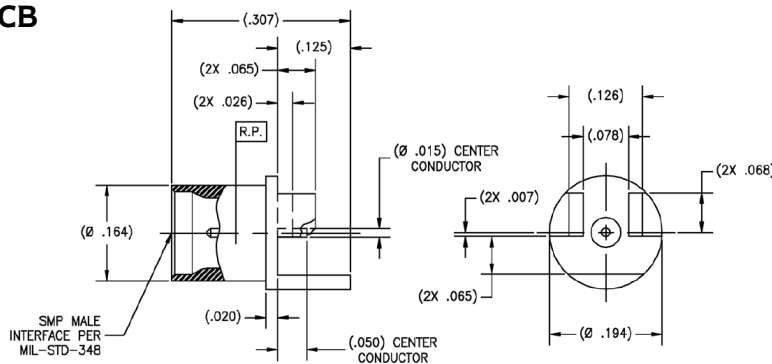


Tensolite Part No.	Interface(s)	(Ø A)	Fig.
P696-1CCSF	Full Detent	.116	1
P696-2CCSF	Limited Detent	.120	1
P696-3CCSF	Smooth Bore	.125	2
P696-4CCSF	Catcher's Mitt	.125	2

Center conductor is captivated.  
Standard finish is passivated.

## P698

SMP male straight PCB  
edge mount

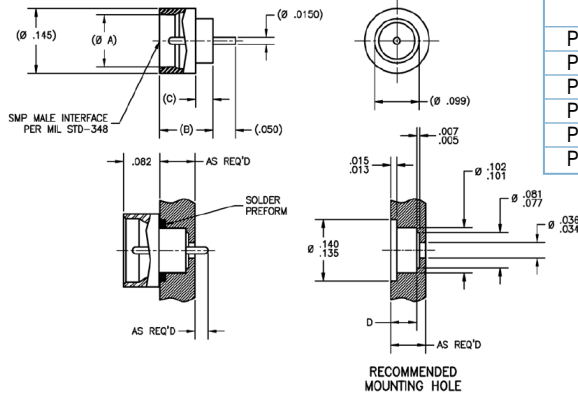


Tensolite Part Number	Interface
P698-1CC	Full Detent
P698-2CC	Limited Detent
P698-3CC	Smooth Bore

Center conductor is captivated.  
Standard units are gold finish.



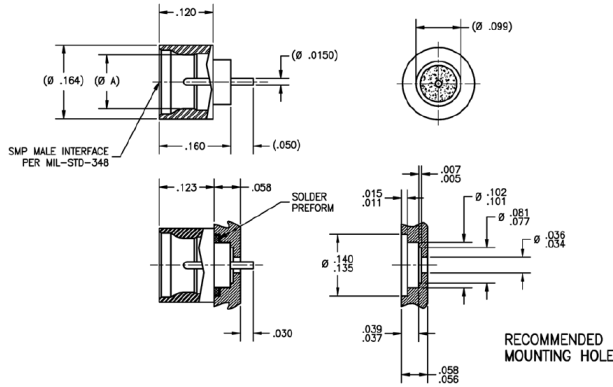
## P680 SMP male straight to termination (Hermetic)



Tensolite Part No.	Interface(s)	(Ø A)	(B)	(C)	(D)
P680-1CC	Full Detent	.116	.120	.040	.037/.039
P680-2CC	Limited Detent	.120	.120	.040	.037/.039
P680-3CC	Smooth Bore	.125	.120	.040	.037/.039
P680-4CC	Full Detent	.116	.140	.060	.057/.059
P680-5CC	Limited Detent	.120	.140	.060	.057/.059
P680-6CC	Smooth Bore	.125	.140	.060	.057/.059

Center conductor is captivated.  
Standard units are gold finish.

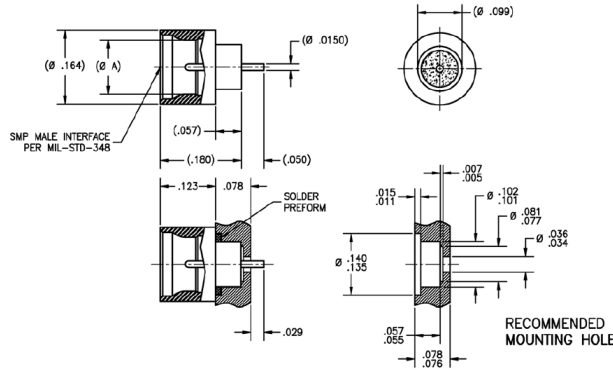
## P681 SMP male straight to termination (Hermetic)



Tensolite Part No.	(ØA)	Interface (s)
P681-1CC	.116	Full Detent
P681-2CC	.120	Limited Detent
P681-3CC	.125	Smooth Bore

Center conductor is captivated.  
Standard units are gold finish.

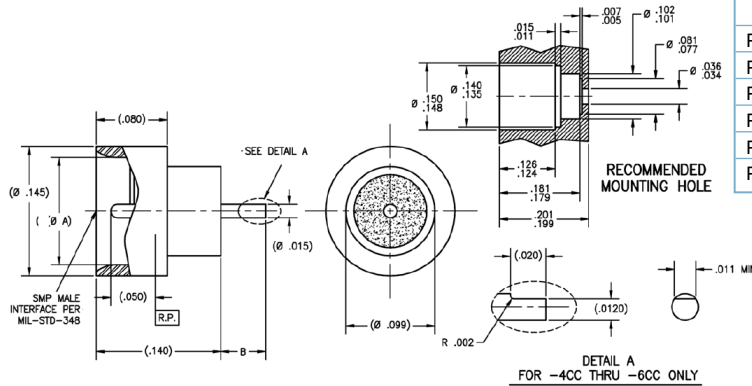
## P682 SMP male straight to termination (Hermetic)



Tensolite Part No.	(ØA)	Interface (s)
P682-1CC	.116	Full Detent
P682-2CC	.120	Limited Detent
P682-3CC	.125	Smooth Bore

Center conductor is captivated.  
Standard units are gold finish.

## P786 SMP male straight to termination (Hermetic)



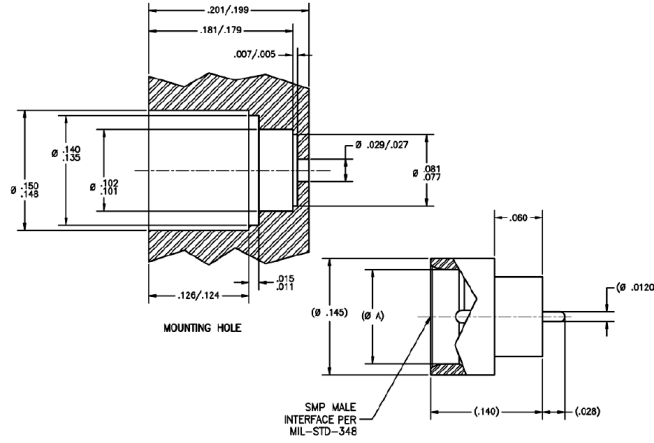
Tensolite Part No.	Interface (s)	(ØA)	B
P786-1CC	Full Detent	.116	.050
P786-2CC	Smooth Bore	.125	.050
P786-3CC	Limited Detent	.120	.050
P786-4CC	Full Detent	.116	.075/.072
P786-5CC	Smooth Bore	.125	.075/.072
P786-6CC	Limited Detent	.120	.075/.072

Center conductor is captivated.  
Standard units are gold finish.

SMP Hermetics

## P790

**SMP male straight to termination (Hermetic)**

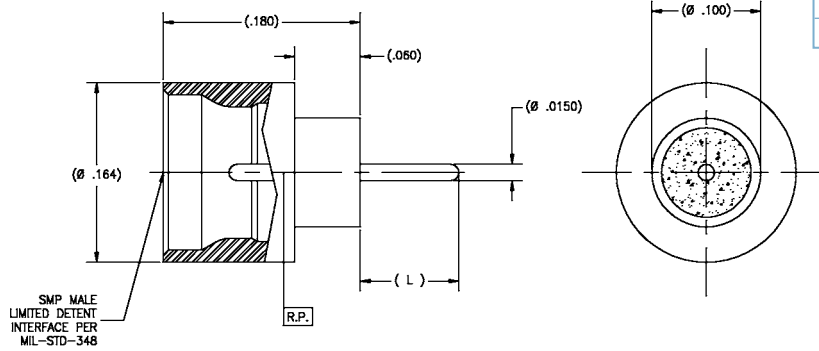


Tensolite Part No.	( $\phi A$ )	Interface (s)
P790-1CC	.116	Full Detent
P790-2CC	.120	Limited Detent
P790-3CC	.125	Smooth Bore

Center conductor is captivated.  
Standard units are gold finish.

## P794

**SMP male limited detent straight to termination (Hermetic)**

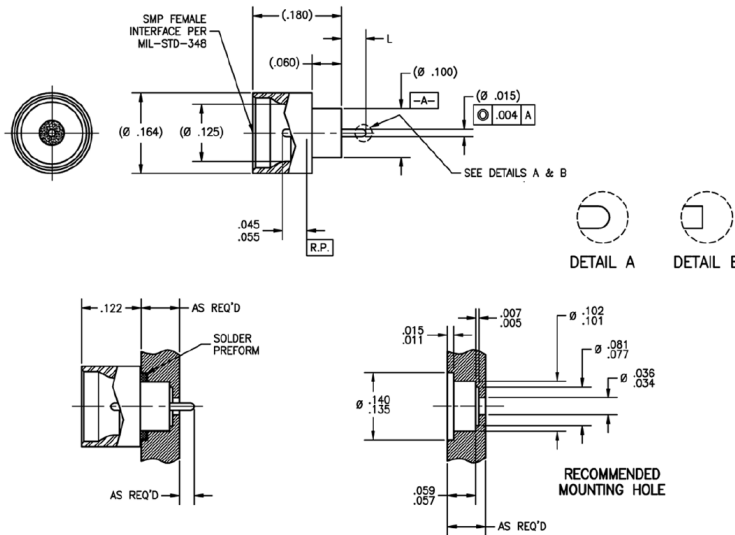


Tensolite Part No.	(L)
P794-1CC	(.090)
P794-2CC	(.070)
P794-3CC	(.050)

Center conductor is captivated.  
Standard units are gold finish.

## P840

**SMP male full detent straight to termination (Hermetic)**

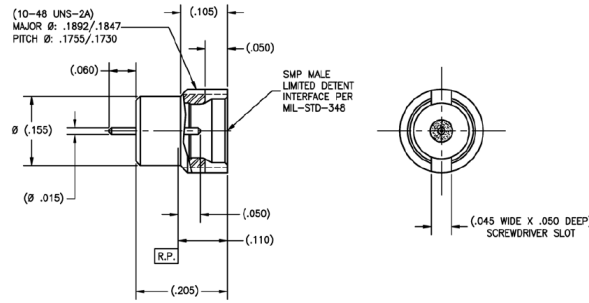


Tensolite Part No.	L	Detail
P840-1CC	.030	A
P840-2CC	.030	B
P840-3CC	.040	A
P840-4CC	.040	B
P840-5CC	.050	A
P840-6CC	.050	B
P840-7CC	.060	A
P840-8CC	.060	B
P840-9CC	.070	A
P840-10CC	.070	B
P840-11CC	.080	A
P840-12CC	.080	B
P840-13CC	.090	A
P840-14CC	.090	B
P840-15CC	.100	A
P840-16CC	.100	B
P840-17CC	.110	A
P840-18CC	.110	B
P840-19CC	.120	A
P840-20CC	.120	B
P840-21CC	.130	A
P840-22CC	.130	B
P840-23CC	.085	A
P840-24CC	.085	B

Center conductor is captivated.  
Standard units are gold finish.

## P761-1CC

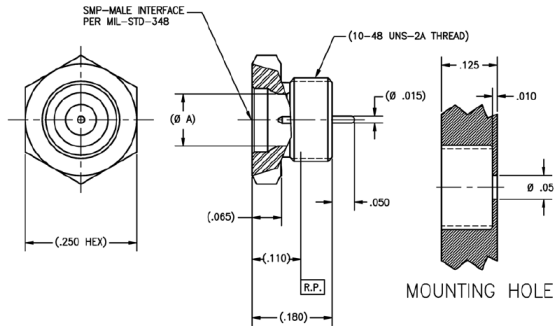
**SMP male limited detent thread-in style to straight termination (Hermetic)**



Center conductor is captivated.  
Standard units are gold finish.

## P683

**SMP male thread-in style to straight termination (Hermetic)**

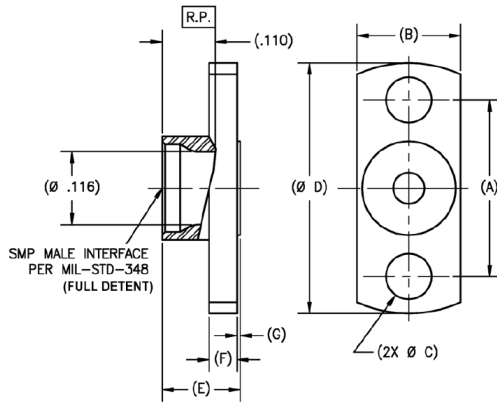


Tensolite Part No.	(ØA)	Interface (s)
P683-1CC	.116	Full Detent
P683-2CC	.120	Limited Detent
P682-3CC	.125	Smooth Bore

Center conductor is captivated.  
Standard units are gold finish.

## P670

**SMP full detent straight 2 hole flange mount shroud**

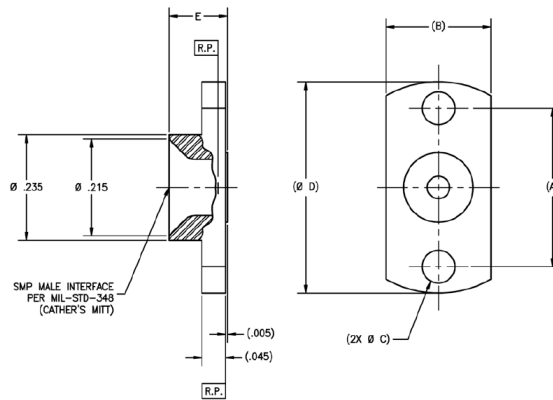


Tensolite Part No.	(A)	(B)	(Ø C)	(Ø D)	(E)	(F)	(G)
P670-1SF	.328	.187	.098	.480	.120	.045	.004
P670-2SF	.481	.223	.102	.625	.120	.045	.002
P670-3SF	.282	.165	.073	.400	.120	.045	.002
P670-4SF	.400	.186	.103	.550	.120	.045	.004
P670-5SF	.228	.165	.073	.400	.120	.045	.005
P670-6SF	.282	.165	*	.400	.120	.045	.005
P670-7SF	NR	NR	NR	.625	.120	.045	.002
P670-8SF	.481	.223	.102	.625	.120	.045	.004
P670-9SF	.282	.165	.073	.400	.120	.045	.004
P670-10SF	.382	.187	.098	.480	.120	.045	.005

\* 2X #0-80 UNF-2B X Ø .085 X 90° countersink  
Standard finish is passivated.

## P671

**SMP shroud, catcher's mitt 2 hole flange mount**

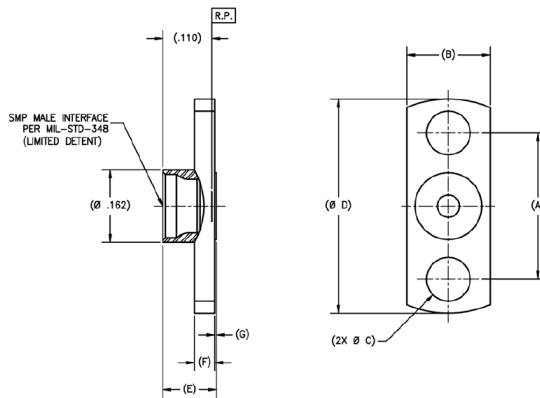


Tensolite Part No.	(A)	(B)	(Ø C)	(Ø D)	(E)
P671-1SF	.352	.235	.073	.470	.120
P671-2SF	.481	.235	.102	.625	.120
P671-3SF	.400	.235	.073	.550	.120

Standard finish is passivated.

## P672

**SMP limited detent straight 2 hole flange mount shroud**

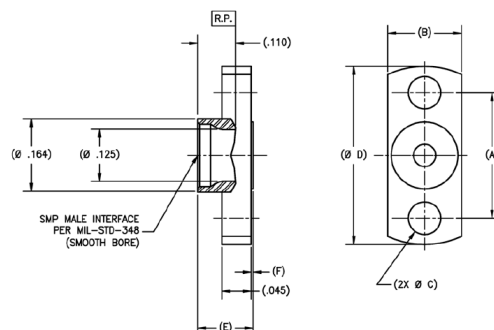


Tensolite Part No.	(A)	(B)	(Ø C)	(Ø D)	(E)	(F)	(G)
P672-1SF	.328	.187	.098	.480	.120	.045	.004
P672-2SF	.481	.223	.102	.625	.120	.045	.004
P672-3SF	.282	.165	.073	.400	.120	.045	.002
P672-4SF	.400	.187	.103	.550	.120	.045	.004

Standard finish is passivated.

## P673

**SMP shroud smooth bore straight 2 hole flange mount**

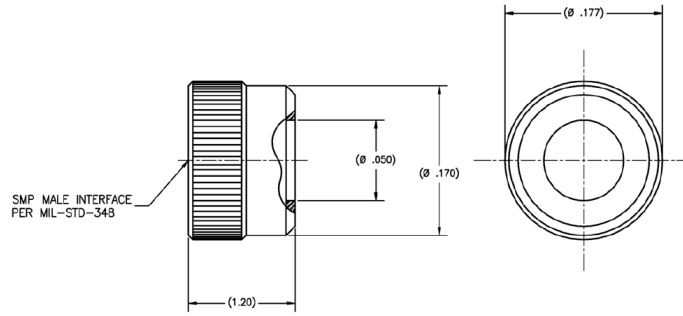


Tensolite Part No.	(A)	(B)	(Ø C)	(Ø D)	(E)	(F)
P673-1SF	.328	.187	.098	.480	.120	.004
P673-2SF	.481	.223	.102	.625	.120	.002
P673-3SF	.282	.165	.073	.400	.120	.002

Standard finish is passivated.

## P675

### SMP press in shroud

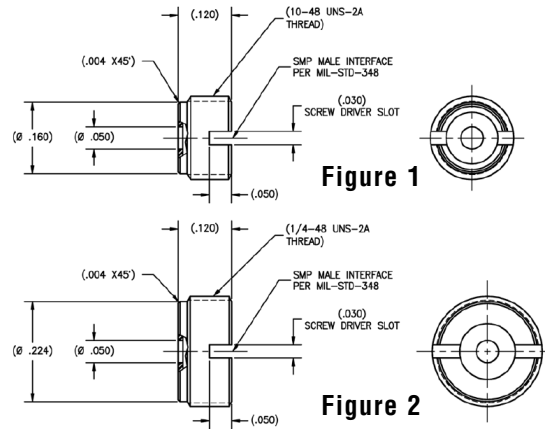


Tensolite Part Number	Interface
P675-1SF	Full Detent
P675-2SF	Limited Detent
P675-3SF	Smooth Bore

Standard finish is passivated.

## P676

### SMP shroud, thread in style

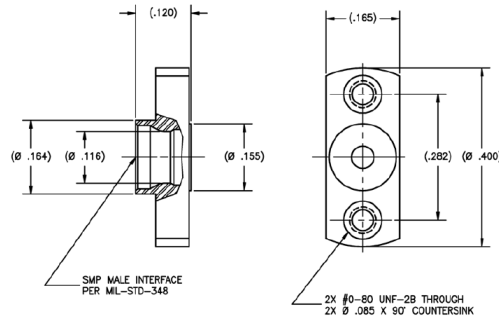


Tensolite Part Number	Interface	Fig.
P676-1SF	Full Detent	1
P676-2SF	Limited Detent	1
P676-3SF	Smooth Bore	1
P676-4SF	Catcher's Mitt	2

Standard finish is passivated.

## P739-1SF

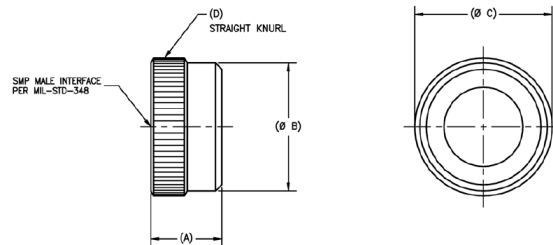
### SMP full detent shroud



Standard finish is passivated.

## P769

### SMP full detent press-in shroud



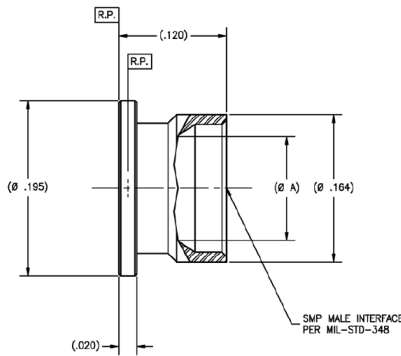
Tensolite Part No.	(A)	(ØB)	(ØC)	(D)
P769-1SF	.080	.143	.154	50P
P769-2SF	.120	.163	.174	50P
P769-3SF	.115	.163	.184	128P

Standard finish is passivated.

# SMP Surface Mount Connectors

## P677

SMP shroud solder-in surface mount



Tensolite Part Number	Interface	(ØA)
P677-1	Full Detent	.116
P677-2	Limited Detent	.120
P677-3	Smooth Bore	.125

Standard units are gold finish.

## P702

SMP male straight surface mount

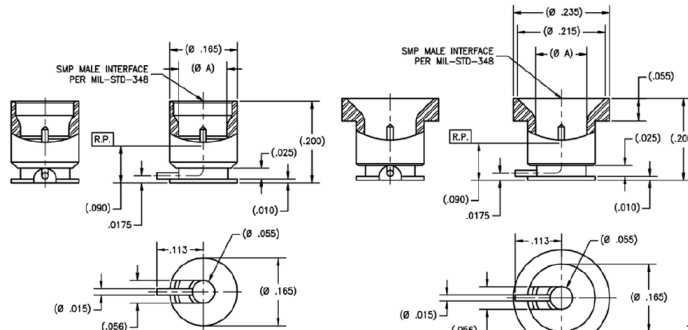
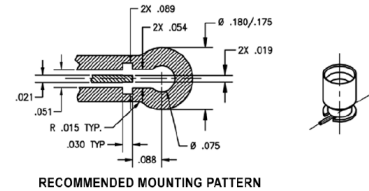


Figure 1

Figure 2

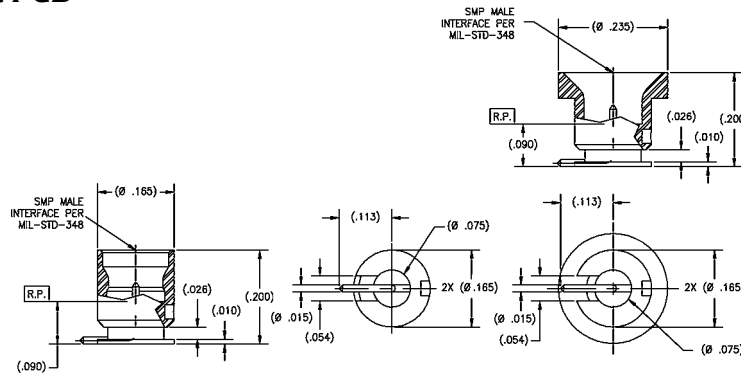
Tensolite Part Number	Interface	Fig.	(ØA)
P702-1CC	Full Detent	1	.116
P702-2CC	Limited Detent	1	.120
P702-3CC	Smooth Bore	1	.125
P702-4CC	Catcher's Mitt	2	.125

Center conductor is captivated. Standard units are gold finish.



## P703

SMP male straight PCB surface mount

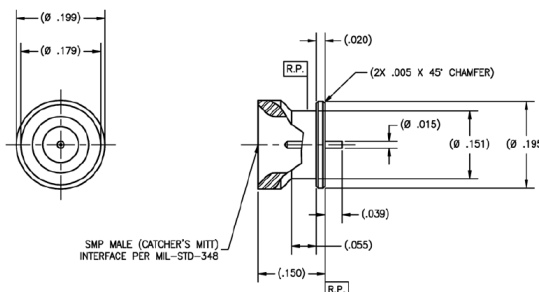


Tensolite Part Number	Interface	Figure
P703-1CC	Full Detent	1
P703-2CC	Limited Detent	1
P703-3CC	Smooth Bore	1
P703-4CC	Catcher's Mitt	2

Center conductor is captivated. Standard units are gold finish.

## P757-1CC

SMP male catcher's mitt surface mount to straight termination



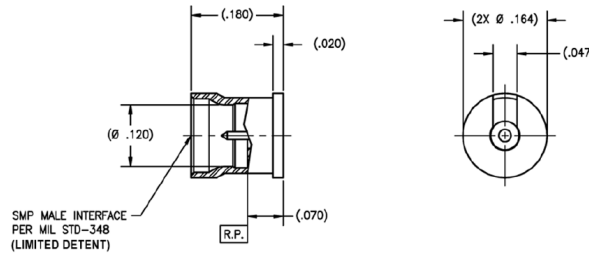
Center conductor is captivated. Standard units are gold finish.

# SMP Surface Mount Connectors

Standard units are gold finish.

## P775-1

**SMP male limited detent surface mount round flange**



## P797

**SMP male straight PCB surface mount**

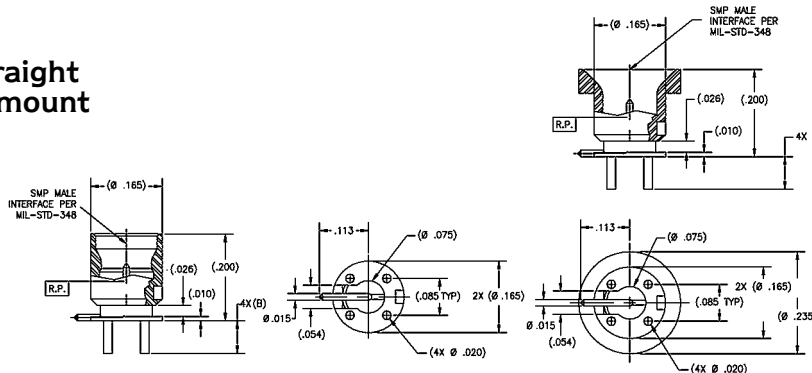


Figure 1

Figure 2

Tensolite Part Number	Interface	Figure
P797-1CC	Full Detent	1
P797-2CC	Limited Detent	1
P797-3CC	Smooth Bore	1
P797-4CC	Catcher's Mitt	2
P797-5CC	Full Detent	1
P797-6CC	Limited Detent	1
P797-7CC	Smooth Bore	1
P797-8CC	Catcher's Mitt	2

Center conductor is captivated. Standard units are gold finish.

## P838

**SMP male straight to surface mount**

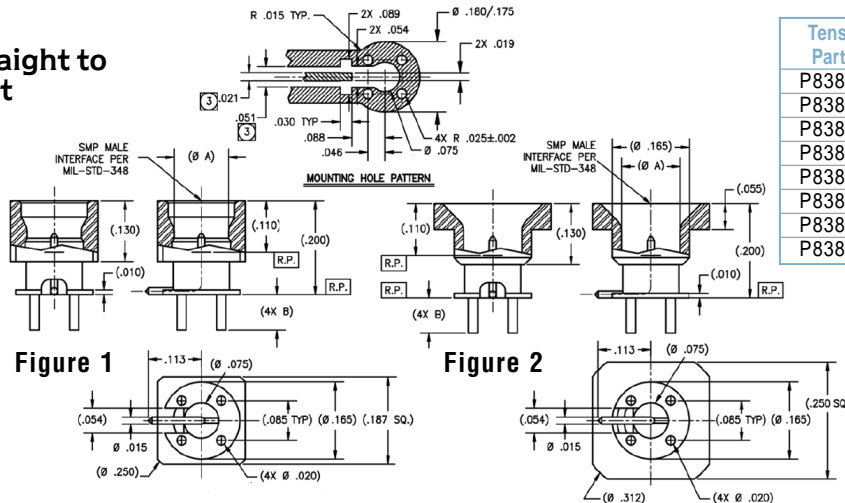


Figure 1

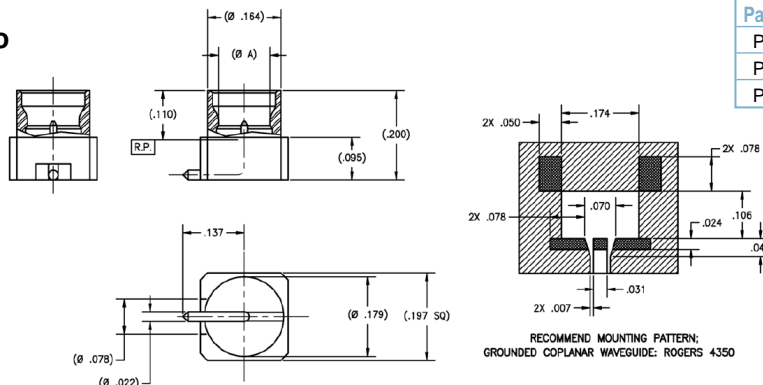
Figure 2

Tensolite Part No.	Interface	(Ø A)	(B)	Fig.
P838-1CC	Full Detent	(.116)	.075	1
P838-2CC	Limited Detent	(.120)	.075	1
P838-3CC	Smooth Bore	(.125)	.075	1
P838-4CC	Catcher's Mitt	(.125)	.075	2
P838-5CC	Full Detent	(.116)	.140	1
P838-6CC	Limited Detent	(.120)	.140	1
P838-7CC	Smooth Bore	(.125)	.140	1
P838-8CC	Catcher's Mitt	(.125)	.140	2

Center conductor is captivated. Standard units are gold finish.

## P839

**SMP male straight to surface mount**



Tensolite Part Number	Interface	(ØA)
P839-1CC	Full Detent	.116
P839-2CC	Limited Detent	.120
P839-3CC	Smooth Bore	.125

Center conductor is captivated. Standard units are gold finish.

