

P/N	FIGURE(S)
-1CC	1
-2CC	2
-3CC	3
-4CC	4

ZONE	REV	DESCRIPTION	DATE	BY
-	B	ECO 11B44	06.09.00	IMG
-	C	ECO 12048	08.01.00	DKN
-	D	ECO 19365	06.22.06	DKN

WORKING NO. P650  
REV. D

**MATERIAL:**

BODY & CENTER CONDUCTOR:  
BeCu ALLOY PER ASTM B-196  
INSULATOR:  
PTFE TEFLON PER ASTM D-1710

**ELECTRICAL:**

Impedance: 50 Ohms Nom.  
Freq. Range: DC TO 40 GHz  
VSWR: 1.10 + .012\*f (GHz)  
Insertion Loss: .04 x  $\sqrt{f}$  GHz  
Working Voltage: 335 Vrms @ Sea Level  
Insulation Resistance: 5000 Mohms  
Dielectric Withstand Voltage: 500 V rms  
RF HPot Voltage: 325 Vrms Min @ 5MHz  
Corona Level: 190 Vrms @ 70,000 ft  
RF Leakage: -80 dB max to 3.0 GHz  
-65 dB max to 18.0 GHz  
Contact Resistance:  
Center contact: 6.0 Milliohms  
Outer Contact: 2.0 Milliohms

**MECHANICAL:**

Interface Dimensions:  
Consult Factory  
Connector Durability:  
500 Cycles  
Center Contact Retention:  
2 lbs Min Axial  
N/A Radial  
Force to Engage and Disengage:  
2.5 lbs Engage  
1.5 lbs Disengage

**ENVIRONMENTAL:**

Temp. Range: -65°C to +165°C  
Thermal Shock:  
MIL-STD-202, Method 107, Test Cond. B  
Moisture Resistance:  
MIL-STD-202, Method 106. Insulation resistance  
at least 200 MegaOhms within 5 minutes after  
removal from humidity  
Corrosion:  
MIL-STD-202, Method 101, Test Cond. B  
Vibrations:  
MIL-STD-202, Method 204, Test Cond. D  
Shock:  
MIL-STD-202, Method 213, Test Cond. I

**FINISH:**

BODY & CENTER CONDUCTOR:  
GOLD PLATE PER ASTM B-488 OVER NICKEL PLATE PER AMS-QQ-N-290

**APPLICABLE TENSILE DOCUMENTS**

WORK STD	FREQ. INST	ASSY. NET
NA	NA	NA

**TOLERANCES AND NOTES**

EXCEPT AS NOTED  
DIMENSIONS ARE IN INCHES  
UNLESS OTHERWISE SPECIFIED  
FRACTIONS ± 1/32  
DECIMALS ± .005  
1. MACHINE FINISH UNLESS OTHERWISE SPECIFIED  
2. MACHINED SURFACES UNLESS OTHERWISE SPECIFIED  
3. UNLESS OTHERWISE SPECIFIED ALL DIMENSIONS ARE TO BE MET DIMENSIONS UNLESS OTHERWISE SPECIFIED  
4. TOLERANCES TO BE MET DIMENSIONS UNLESS OTHERWISE SPECIFIED  
5. DIMENSIONS TO BE MET DIMENSIONS UNLESS OTHERWISE SPECIFIED  
6. DIMENSIONS TO BE MET DIMENSIONS UNLESS OTHERWISE SPECIFIED  
7. DIMENSIONS TO BE MET DIMENSIONS UNLESS OTHERWISE SPECIFIED  
8. DIMENSIONS TO BE MET DIMENSIONS UNLESS OTHERWISE SPECIFIED  
9. DIMENSIONS TO BE MET DIMENSIONS UNLESS OTHERWISE SPECIFIED  
10. DIMENSIONS TO BE MET DIMENSIONS UNLESS OTHERWISE SPECIFIED

**SEE NOTE(S)**

TEST PART	SIZE	REVISION	REQUIREMENT

**SEE NOTE(S)**

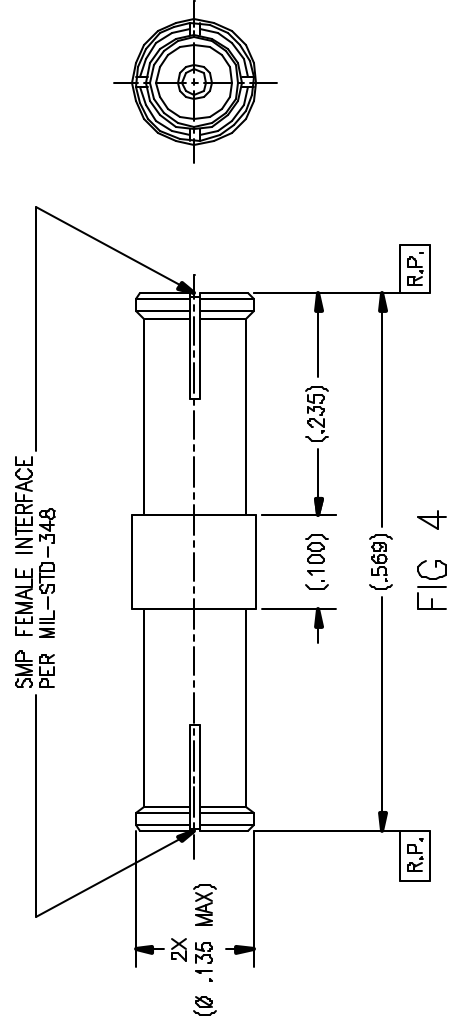
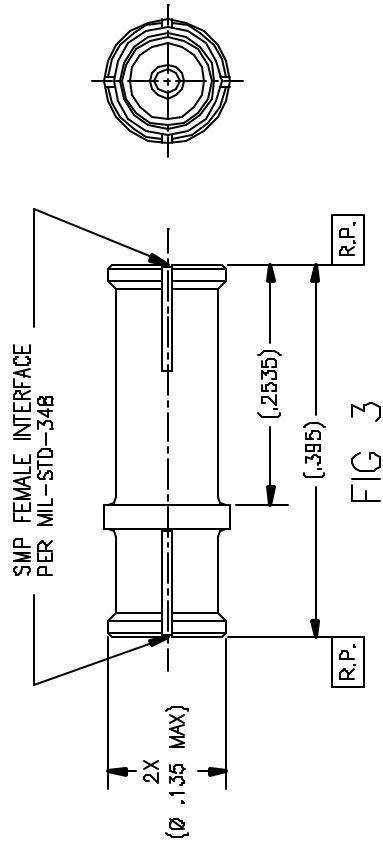
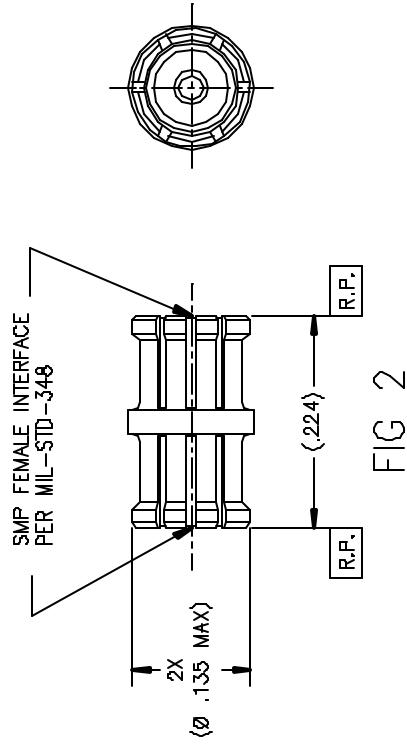
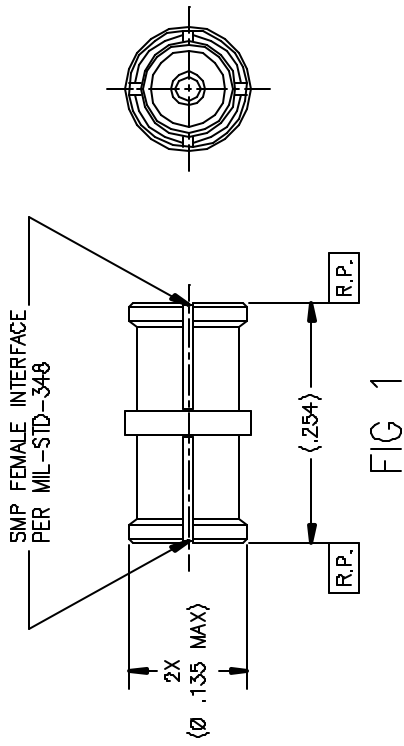
TEST PART	SIZE	REVISION	REQUIREMENT

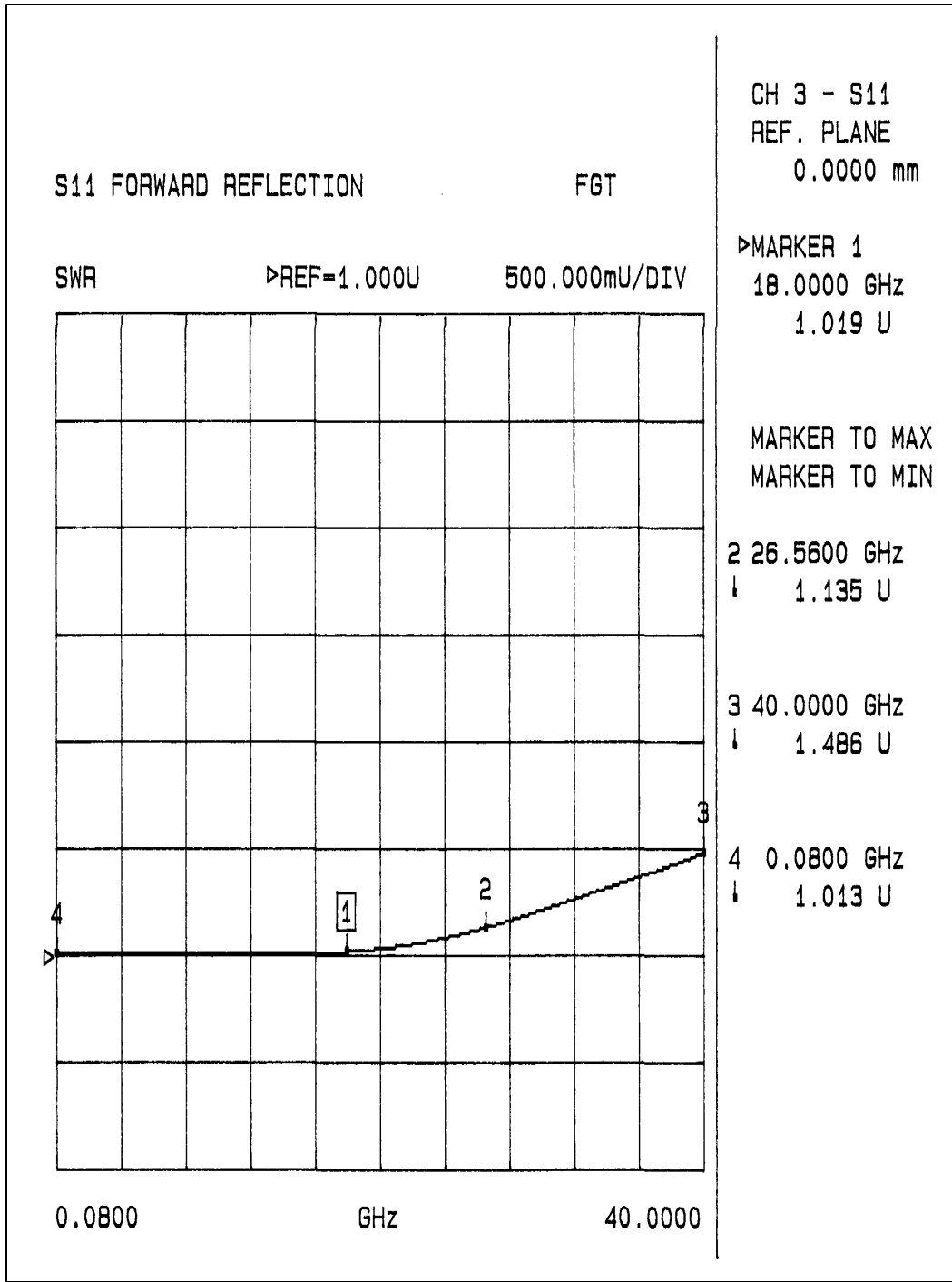
**SEE NOTE(S)**

TEST PART	SIZE	REVISION	REQUIREMENT

**Tensolite**  
HIGH PERFORMANCE CABLES  
& INTERCONNECT SYSTEMS  
Lafayette, California 94015

SMF FEMALE-FEMALE  
STRAIGHT ADAPTER  
10/1  
QLP6XX VLP1650  
C 30990  
P650





FOR P650-1CC