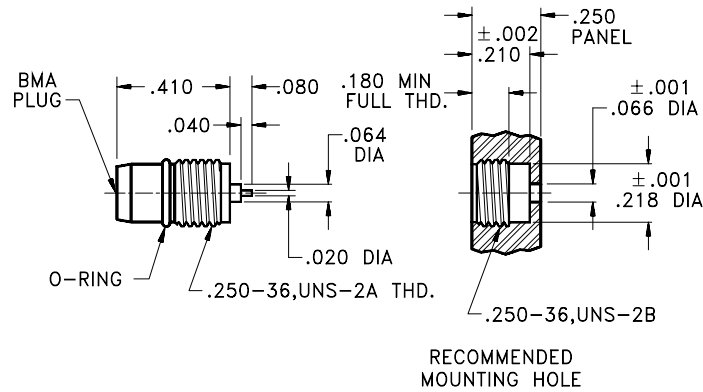


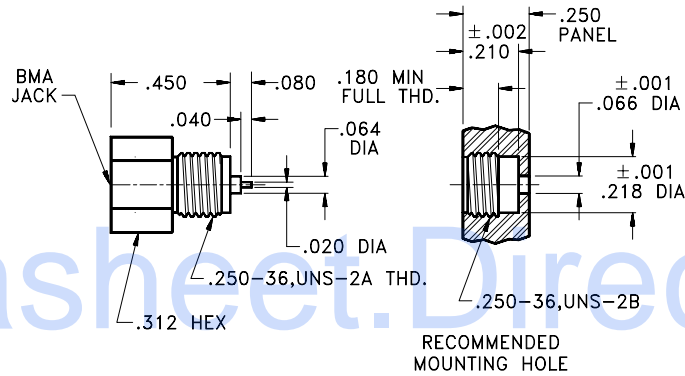
### Panel Feedthru Male Plug - Threaded Type

Model Number  
**BMA-5918-19-TRM-02**



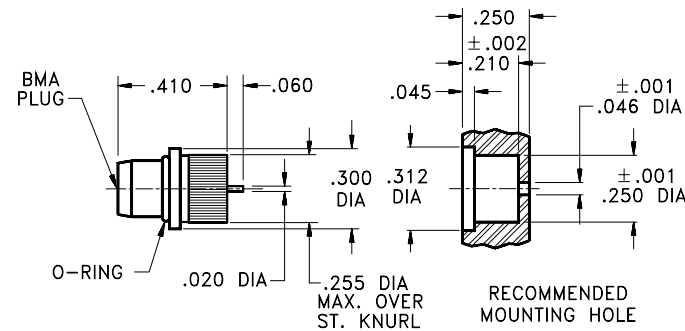
### Panel Feedthru Female Jack - Threaded Type

Model Number  
**BMA-5018-12-TRM-02**



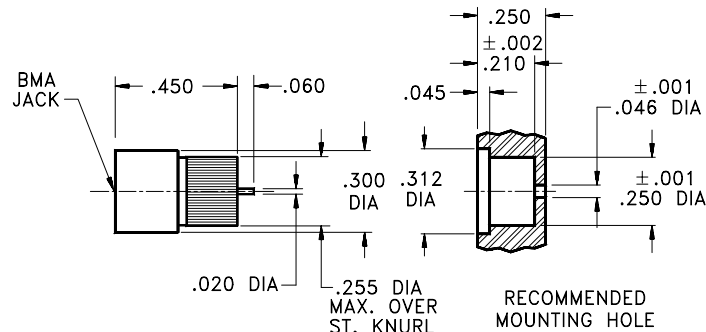
### Panel Feedthru Male Plug - Press Fit Type

Model Number  
**BMA-5012-10-TRM-02**



### Panel Feedthru Female Jack - Press Fit Type

Model Number  
**BMA-5012-12-TRM-02**



Note: Detail interface dimensions and RG/U cable information can be found in the appendix.



- [Shopping Cart](#)
- [Order Status](#)
- [Help Desk](#)
- [About Midwest](#)
- [Contact Midwest](#)
- [Authorized Distributors & Sales Representatives](#)
- [Distributors Only](#)

[Customer Login](#) United States

Try our New Search! [GO](#)

[< Return to Product Categories](#)

Using our web search engine is easy. You can search based on any of the following techniques:

**SKUs** **Product** **Frequency** **Power** **Body** **Interface** **Gender** **dB**

1. Enter a precise Midwest Model Number (ie. ATT-0290-03-SMA-02)
2. Enter an older version of the Midwest Model Number (ie. 290M would return all new model numbers ATT-290M-XX-SMA-02 for all dB levels)
3. Enter any portion of a Midwest Model Number (ie. ATT 10 SMA would return all 10 dB SMA attenuators)
4. Enter a text based description (ie. 3 db 18 GHz 2 Watt BMA N Attenuator would return representative products)
5. Enter a competitor's model number (ie. M/A-COM Model 3082-6191-03 would return the corresponding Midwest equivalent ATT-0292-08-HEX-02)

SMA-5012-31- HRM-02	Connector	BLK	SMA	F
SMA-5012-32- HRM-02	Connector	BLK	SMA	F
SMA-5012-39- HRM-02	Connector	BLK	SMA	M

Special Couplers

CPL-5012-06- SMA-79	Coupler	STD	SMA	6
CPL-5012-10- SMA-79	Coupler	STD	SMA	10
CPL-5012-20- SMA-79	Coupler	STD	SMA	20

[More Details](#)

[More Details](#)

[More Details](#)

[More Details](#)

[More Details](#)

[More Details](#)

[More Details](#)

[More Details](#)

We also have

Attenuator

**BUY NOW** Our Price: **\$222.00**



**ATT-0640-06-29M-02**  
6 dB DC-40 Ghz Attenuator  
Subminiature Minipad  
2.9mm/2.9mm 1 watt  
Passivated

[Click for More Info](#)

Attenuator

**BUY NOW** Our Price: **\$100.70**



**ATT-0291-11-HEX-02**  
11 dB DC-12.4 Ghz  
Attenuator Subminiature  
Minipad Hex Body SMA/SMA  
2 watt Passivated

[Click for More Info](#)

All rights reserved. ©2002 Midwest Microwave