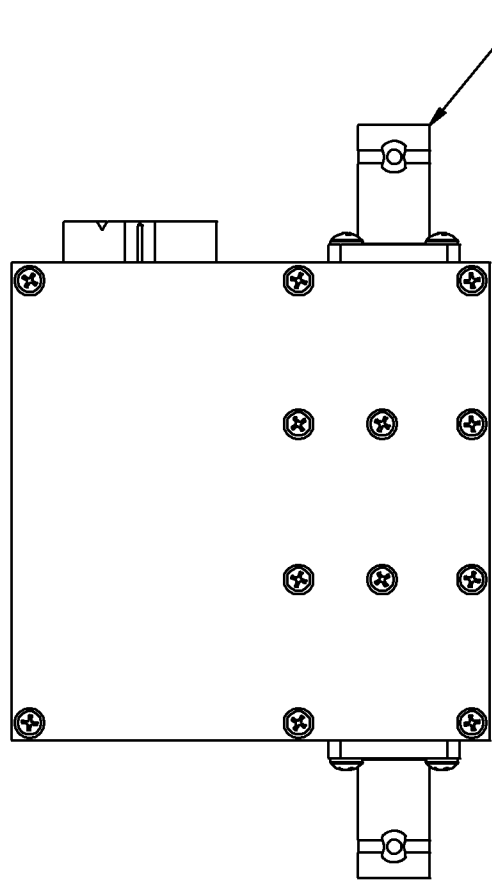
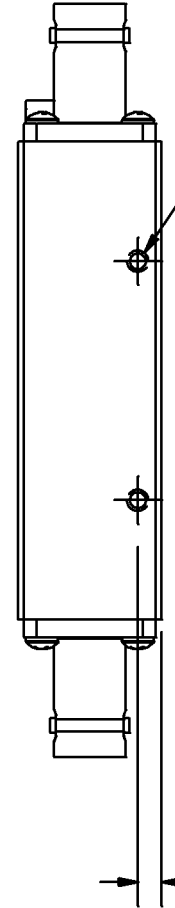


DETAIL A

BNC FEMALE
2-PLACES

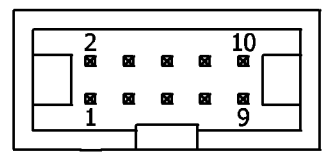
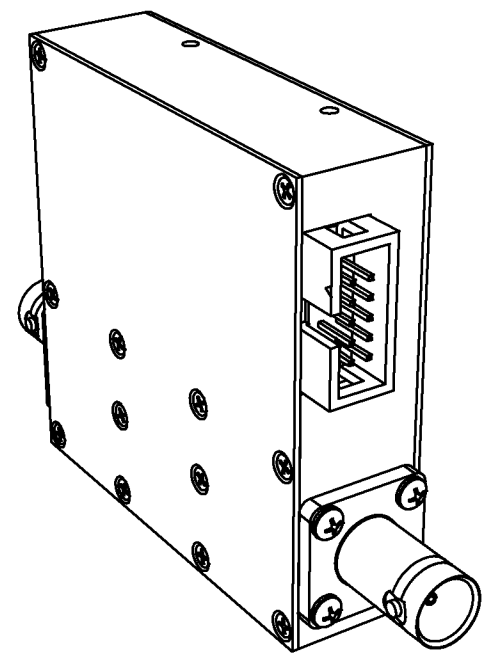


4-40 x .25 DP
2-PLACES
(BOTH ENDS)



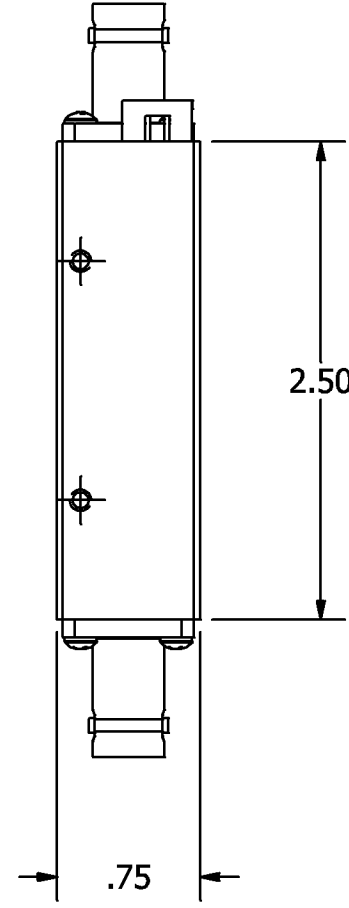
1.250
O.C.

.125



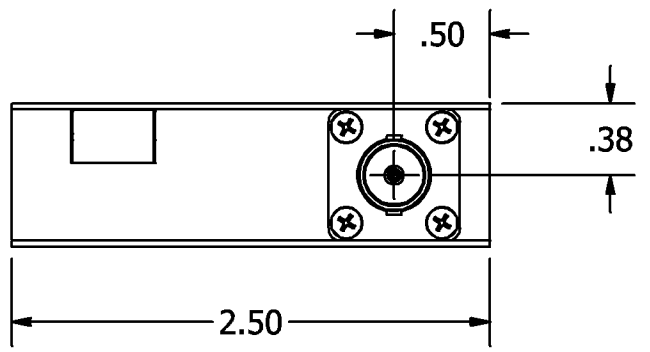
DETAIL A
T&B #609-1057

PIN	FUNCTION
1	.25dB TTL CONT.
2	.5dB TTL CONT.
3	1dB TTL CONT.
4	2dB TTL CONT.
5	4dB TTL CONT.
6	8dB TTL CONT.
7	16dB TTL CONT.
8	32dB TTL CONT.
9	+5Vdc
10	GROUND



2.50

.75



.50

.38

2.50

REV	ECN	DATE	BY	APPR
-	ISSUED	8-25-21	JZ	BAC



JFW INDUSTRIES, INC.

www.jfwindustries.com

PH: 317-887-1340

MATERIAL	ALUMINUM ALLOY	PROPRIETARY INFORMATION
FINISH	ELECTROLESS NICKEL	ALL SURFACES ARE TO BE FREE OF BURRS, PITS & SCRATCHES
MODEL	75P-XXX BNC	TOLERANCES .XX±.010 .XXX±.005 XX°±.5°
DESCRIPTION	PROGRAMMABLE ATTENUATOR	DWG # 092-8652-29