

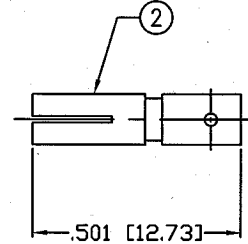
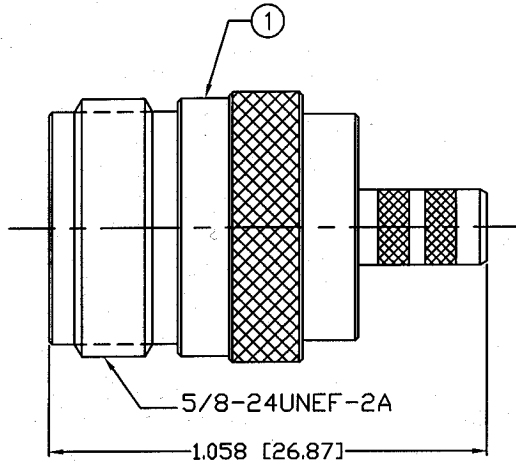
THIS DRAWING CONTAINS INFORMATION PROPRIETARY TO RF INDUSTRIES,  
 ANY UNAUTHORIZED USE OF THIS DRAWING IS EXPRESSLY PROHIBITED  
 WITHOUT WRITTEN PERMISSION FROM RF INDUSTRIES.  
 ANY VIOLATION IS PUNISHABLE UNDER U.S. COPYRIGHT LAWS.

ALL DIMENSIONS ARE REFERENCE ONLY

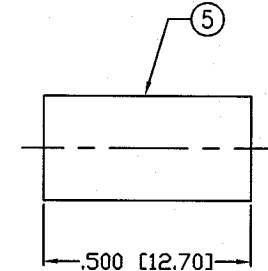
PART NO.

**RFN-1027-C2**

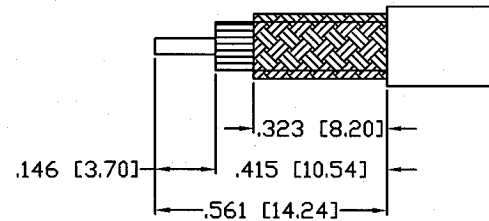
REV	DESCRIPTION	DWN	DATE	APPROVED
A	ENGINEERING RELEASE	KMM	7/17/96	R. RICE
B	CHG. CONTACT, FERRULE STUD & DIE DIM / CORRECT DIMS	CZS	12/17/98	R. RICE
C	CHG. FER STUD, FORMAT, STRIP. DIM & DWG # 8654	GGG	11/15/01	JDMc



RECOMMENDED CRIMP DIE: .100



RECOMMENDED CRIMP DIE: .213



RECOMMENDED STRIPING DIMENSIONS

**SPECIFICATIONS:**

IMPEDANCE: 50 Ohms  
 FREQUENCY RANGE: 0-11 GHz  
 VSWR: 1.3 Max.  
 INSERTION LOSS: .06 dB Max. X  $\sqrt{f}$ GHz  
 WORKING VOLTAGE: 1k V rms @ sea level  
 TEMPERATURE RANGE: -65°C TO 165°C  
 INSULATION RESISTANCE: 5k M Ohms min.  
 FOR TIMES LMR-200, ALPHA 9848 & MSI-22

1	BODY	1	BRASS	SILVER, 30 $\mu$ "
2	CONTACT	1	BRASS	SILVER, 30 $\mu$ "
3	DIELECTRIC	1	PTFE	----
4	GROUND RING	1	BRASS	GOLD, 3 $\mu$ "
5	FERREL STUD	1	BRASS	SILVER, 30 $\mu$ "
6				
7				
8				
9				
10				
11				
12				
13				
14				
#	DESCRIPTION	QTY	MATRL	FINISH

000486		
DRAWN	G. GALLEGOS	11/15/01
CHECKED	<i>[Signature]</i>	11-15-01
ORJ DRAWN	K. MAXWELL	7/17/96
APPROVALS		DATE

UNLESS OTHERWISE SPECIFIED:  
 1. REMOVE ALL BURRS  
 2. BREAK ALL CORNERS & EDGES .005 R. MAX.  
 3. CHAMFER 1ST & LAST THREADS 45°  
 4. SURFACE ROUGHNESS 63 FINISH MIL-STD-10  
 5. DIAMETERS ON COMMON CENTERS TO BE CONCENTRIC WITHIN .002 T.I.R.  
 6. ALL DIMENSIONS ARE AFTER PLATING.

DIMENSIONS ARE IN INCHES AND [MILLIMETERS]  
 UNLESS OTHERWISE NOTED TOLERANCES ARE:  
 DECIMALS      DIAMETER  
 .xxx±.003 [.08]      .xxx±.001 [.03]  
 .xx±.005 [-.13]      .xx±.003 [.08]

**RF connectors**  
 DIVISION OF RF INDUSTRIES, LTD.

7610 MIRAMAR RD  
 SAN DIEGO, CA 92126  
 (858) 549-6340  
 (858) 549-6345 FAX

**N JACK, CRIMP**

SIZE	CABLE GROUP	DWG NO.	REV
A	C2	RFN-1027-C2	C
SCALE: NTS		CAD FILE OUTLINE	SHEET 1 OF 1