

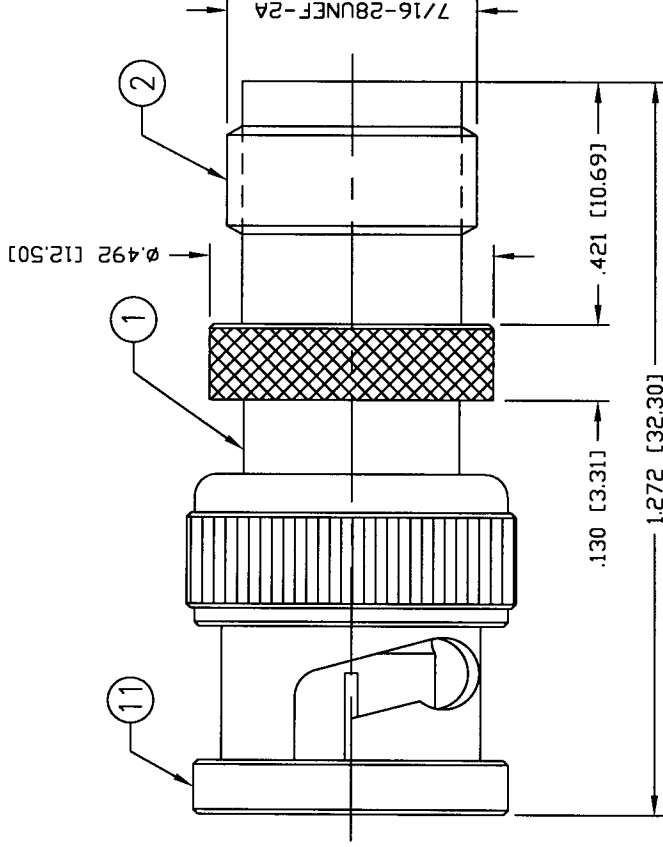
THIS DRAWING CONTAINS INFORMATION PROPRIETARY TO RF INDUSTRIES.
 ANY UNAUTHORIZED USE OF THIS DRAWING IS EXPRESSLY PROHIBITED
 WITHOUT WRITTEN PERMISSION FROM RF INDUSTRIES.
 ANY VIOLATION IS PUNISHABLE UNDER U.S. COPYRIGHT LAWS.

ALL DIMENSIONS ARE REFERENCE ONLY

RFT-1230

PART NO.

REV	DESCRIPTION	DWN	DATE	APPROVED
A	ENGINEERING RELEASE	CZS	9/9/99	R. RICE
B	CHANGE FROM 000712 TO 000486	CZS	12/23/02	JDMc



SPECIFICATIONS:

IMPEDANCE: 50 Ohms
 FREQUENCY RANGE: 0-4 GHz
 WORKING VOLTAGE: 500 V rms @ sea level
 TEMPERATURE RANGE: -65°C TO 85°C
 INSULATION RESISTANCE: 5k M Ohms min.

#	DESCRIPTION	QTY	MATERIAL	FINISH
1	BODY	1	BRASS	NICKEL, 100μ"
2	TNC BODY	1	BRASS	NICKEL, 100μ"
3	CONTACT	1	BRASS	GOLD, 3μ"
4	INSULATOR	1	PTFE	---
5	INSULATOR	1	PTFE	---
6	PRESS WASHER	1	BRASS	NICKEL, 100μ"
7	WASHER	1	BRASS	NICKEL, 100μ"
8	SPRING	1	SK-5	NICKEL, 100μ"
9	LOCK WASHER	1	BRASS	NICKEL, 100μ"
10	GASKET	1	RUBBER	---
11	SHELL	1	BRASS	NICKEL, 100μ"
12				
13				
14				

000486

000486

UNLESS OTHERWISE SPECIFIED:
 1. REMOVE ALL BURRS
 2. BREAK ALL CORNERS & EDGES .005 R. MAX.
 3. CHAMFER 1ST & LAST THREADS 45°
 4. SURFACE ROUGHNESS 63 FINISH MIL-STD-10
 5. DIAMETERS ON COMMON CENTERS TO BE CONCENTRIC WITHIN .002 T.I.R.
 6. ALL DIMENSIONS ARE AFTER PLATING.

DIMENSIONS ARE IN INCHES AND [MILLIMETERS] UNLESS OTHERWISE NOTED TOLERANCES ARE:
 DECIMALS .XXX±.003 [.08] .XX±.003 [.13]
 DIAMETER .XXX±.001 [.03] .XX±.003 [.08]

RF connectors
 DIVISION OF RF INDUSTRIES, LTD.

7610 MIRAMAR RD
 SAN DIEGO, CA 92126
 (858) 549-6340
 (858) 549-6345 FAX

TNC JACK TO BNC PLUG ADAPTER

ADAPTER

SIZE	CABLE GROUP	DWG NO.	REV
A	N/A	RFT-1230	B
SCALE:	NTS	CAD FILE	OUTLINE
			SHEET 1 OF 1