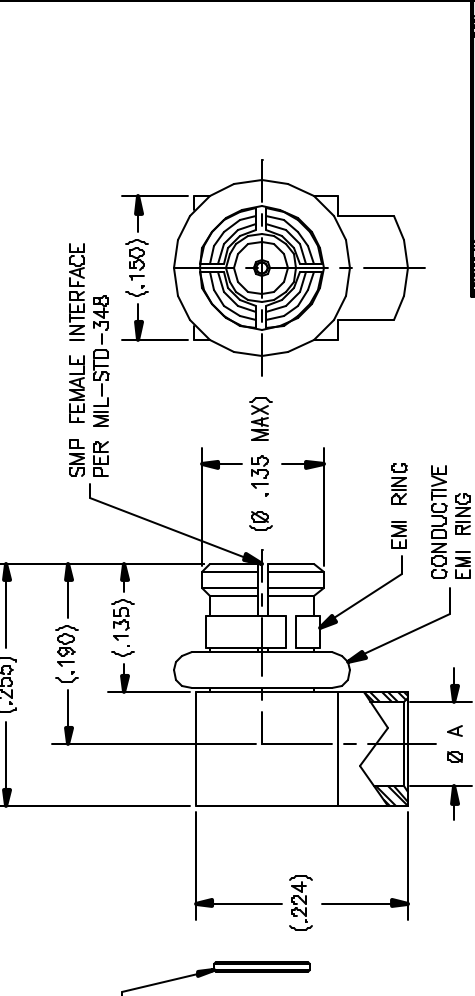


ZONE	REV	DESCRIPTION	DATE	BY
-	F	ECO 13520	07.31.01	ABS
-	G	ECO 17805	01.14.05	RC
-	H	ECO 18030	03.22.05	RC

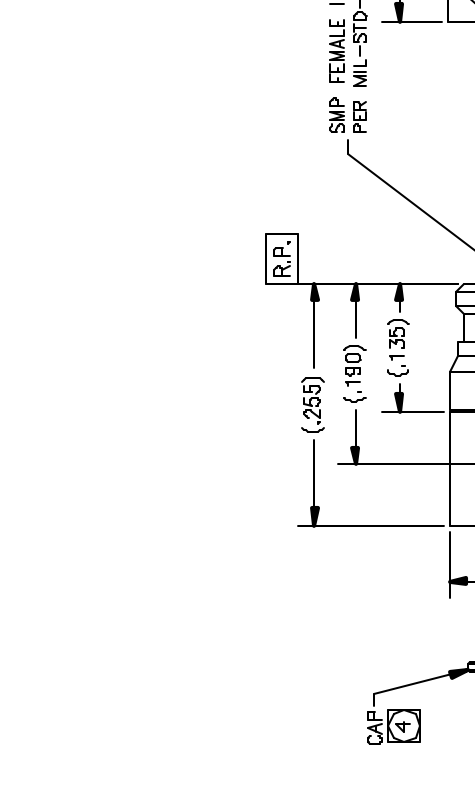
APPLICABLE NOTE(S)	Ø A	CABLE TYPES	FIG.
-1CC 1,2,3	.049 MIN	Ø .047 SEMI-RIGID	1
-2CC 1,2,3	.088 MIN	Ø .085 SEMI-RIGID	3
-3CC 1,2,3	.049 MIN	Ø .047 MICROPOROUS	1
-4CC 1,2,3	.088 MIN	Ø .085 MICROPOROUS	3
-5CC 1,2,3	.049 MIN	Ø .047 SEMI-RIGID	2
-6CC 1,2,3	.088 MIN	Ø .085 SEMI-RIGID	4
-7CC 1,2,3	.049 MIN	Ø .047 MICROPOROUS	2
-8CC 1,2,3	.088 MIN	Ø .085 MICROPOROUS	4



REV: H  
P659

FIG. 3

APPLICABLE NOTE(S)	Ø A	CABLE TYPES	FIG.
-1CC 1,2,3	.049 MIN	Ø .047 SEMI-RIGID	1
-2CC 1,2,3	.088 MIN	Ø .085 SEMI-RIGID	3
-3CC 1,2,3	.049 MIN	Ø .047 MICROPOROUS	1
-4CC 1,2,3	.088 MIN	Ø .085 MICROPOROUS	3
-5CC 1,2,3	.049 MIN	Ø .047 SEMI-RIGID	2
-6CC 1,2,3	.088 MIN	Ø .085 SEMI-RIGID	4
-7CC 1,2,3	.049 MIN	Ø .047 MICROPOROUS	2
-8CC 1,2,3	.088 MIN	Ø .085 MICROPOROUS	4



REV: H  
P659

FIG. 4

FIG. 3

- NOTE(S):
- MATERIAL(S):
    - BODY, CONTACT, CAP, EMI & ANTI-ROCK RING: BeCu ALLOY PER ASTM B-196.
    - INSULATOR: FTFE PER ASTM D-1710
    - CONDUCTIVE EMI RING: SILICONE PER MIL-C-83528.
  - FINISH(ES):
    - BODY, CONTACT, CAP, EMI AND ANTI-ROCK RING : GOLD PLATE PER ASTM B-488 OVER NICKEL PLATE PER AMS-QQ-N-290
    - INSULATOR: NONE
  - ELECTRICAL PERFORMANCE(S):
    - FREQUENCY RANGE: DC-18GHZ
    - R.F. INSERTION LOSS: 0.1dB Max to 18GHZ
    - VSWR: 1.20:1 Max to 18GHZ
4. CAP TO BE PACKAGED AND SHIPPED UNASSEMBLED.

SEE NOTE(S)	SEE NOTE(S)	SEE NOTE(S)
-	-	-

GENERAL	REVISION	REQUIREMENT
-	-	-

APPLICABLE TENSQITE DOCUMENTS	APPLYING DOCUMENTS
WORK STD: NA	FREQ. INST: NA
FRID. INST: NA	ASSY. INST: NA
TEST PLAN: NA	TEST PROC: NA

APPROVAL	DATE
DESIGNED BY: BRD	07/31/96
CHECKED BY: PM	03/25/05

**Tensolite**  
HIGH PERFORMANCE CABLES & INTERCONNECT SYSTEMS  
Lafayette, California 94501

TITLE: SMP FEMALE METER RIGHT ANGLE TO SEMI-RIGID CABLE (18 GHz VERSION)

SIZE: NONE  
SCALE: NONE  
SHEET 1 OF 2  
C 50990 P659